

SPECIFICATION SHEET

DZS SERIES cUL[®] US 365/7 DAY ADVANCED LIGHTING CONTROLLER

APPLICATIONS

- HVAC equipment, horns and bells.
- Interior lighting, electric motors.
- Outdoor lighting and signs.

FEATURES

SCHEDULING:

99 ON & OFF set points allow individual programs for each day of the week at a minimum 1 minute apart.

SunSet ASTRONOMIC:

Adjusts daily to changes in sunset times. Adjustable 10° - 60° Northern or Southern latitudes can be individually offset +/- 1 to 240 minutes from both sunset and sunrise times.

SEASONS:

1 to 4 with different daily schedules which can wrap around into the new year.

HOLIDAYS:

1 to 24 individual dates.

SIGNAL/PULSE DURATION:

2 different settings per channel: 1-99 seconds.

DAYLIGHT SAVING:

Automatic adjustment (can be omitted).

LEAP YEAR:

Automatic Compensation.

MANUAL OVERRIDE:

Until the next regularly scheduled ON or OFF, automatic operation then resumes.

In signal mode, activates pulse.

CLOCK FORMAT:

AM/PM or 24 Hour Format.

POWER OUTAGE BACKUP:

Permanent schedule retention with memory module. Supercapacitor provides 7 days of real time backup.

MEMORY MODULE: Removable MM can be programmed at any one location and inserted into another DZS series unit.

COPY FEATURE:

Unit can be configured to copy program schedule to multiple memory modules.

OPTION:

Memory Module Programmer with software for computer connection programming. Also allows stand alone battery operation for portable copy feature.

SPECIFICATIONS

TIMING ACCURACY:

Line frequency.

INPUT VOLTAGE:

120/208-240/277VAC, 50/60Hz.

TERMINAL RANGE:

#14-#16AWG for line input. #12-#16AWG load outputs.

OPERATING TEMPERATURE:

-40 °F to +158 °F (-40 °C to 70 °C).

POWER CONSUMPTION:

6VA Max: DZS400BP.

ENCLOSURE: Noryl® Indoor/Outdoor NEMA 3R. 5" x 9 1/8" x 4 1/2". Suffix -0 metal Indoor/Outdoor NEMA 3 5 1/4" x 8 1/4" x 4 5/16". All with lockable hasp.

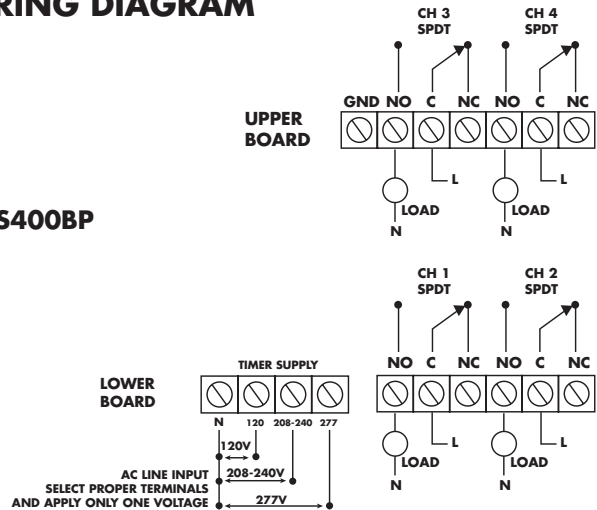
Project Info:	Type:
Job Ref:	Catalog Number:
Approvals:	Date:



CALIFORNIA Title 24



WIRING DIAGRAM



ORDERING INFO

CAT. NO.	UPC CODE	TIMER SUPPLY (VAC) 50/60Hz	NO. OF CHANNELS	DRY CONTACTS (UNPOWERED)
DZS400BP	82184	120/208-240/277	4	SPDT
USB-MMP	82196		Memory Module Programmer	Includes software

CONTACT RATINGS

TYPE	VOLTAGE (VAC)	RATING	
		NO	NC
General Purpose	24-277	20A	20A
Ballast	120-277	13A	-
Tungsten	120	8A	-
Motor Load	120/240	1/2HP	1/2 HP
Pilot Duty	120-277	720VA	360VA