



Fantech

Accessories Book

March 2003 – AB0303



Fantech | Your Ventilation Solutions Company

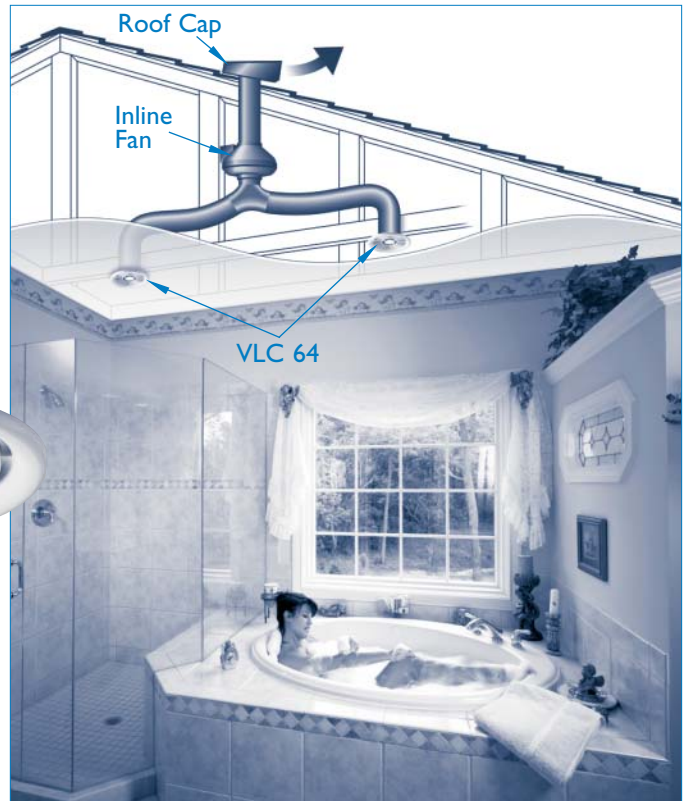
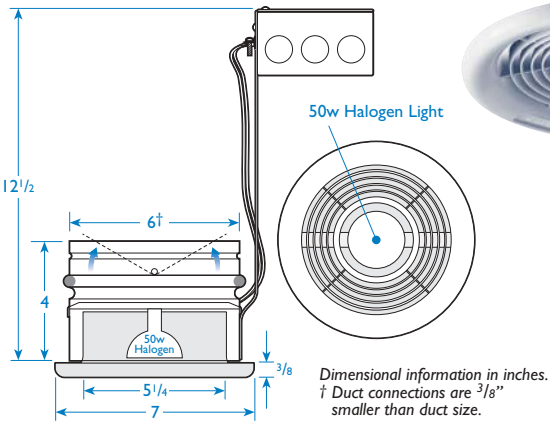
Supply/Exhaust Fans

Combination Exhaust Grill and Light

VLC64



Vent light combination. Small-scale grill with 50 watt halogen light (MR16 bulb included). UL approved for wet locations. Kit includes prewired grill light assembly with back-draft damper, 50 watt halogen bulb, and 6 to 4-inch reducer for connecting ductwork. Does not include fan. May also be used as a light only.

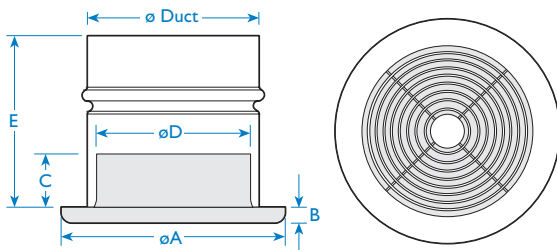


Fixed Exhaust Grills

DG



Fantech's Designer Grill. A low profile, fixed circular plastic exhaust grill. Included with the grill is a matching diameter galvanized mounting collar with nailing strip.



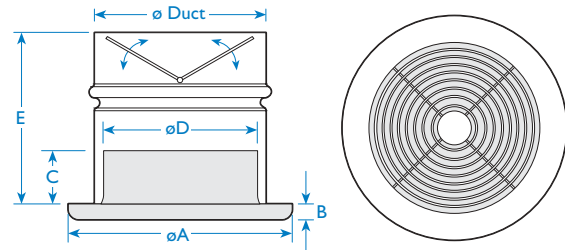
Model	UPC#	ϕ Duct [†]	ϕA	B	C	ϕD	E
DG 4	67940	4	4 ⁷ / ₈	3 ³ / ₈	1 ⁷ / ₈	3 ⁵ / ₈	3 ³ / ₄
DG 6	67960	6	7	3 ³ / ₈	1 ⁷ / ₈	5 ⁵ / ₈	3 ³ / ₄

Dimensional information in inches. † Duct connections are 1/8" smaller than duct size.

DGD



Fantech's Designer Grill/Damper. Same as DG with integrated backdraft damper.



Model	UPC#	ϕ Duct [†]	ϕA	B	C	ϕD	E
DGD 4	67945	4	4 ⁷ / ₈	3 ³ / ₈	1 ⁷ / ₈	3 ⁵ / ₈	4
DGD 6	67965	6	7	3 ³ / ₈	1 ⁷ / ₈	5 ⁵ / ₈	4

Dimensional information in inches. † Duct connections are 1/8" smaller than duct size.

All Fantech grills (except VLC64) are available in bulk packs.
Suggested maximum airflow for Fantech Exhaust Grills is: 4" – 100CFM; 5" – 125CFM, 6" – 150CFM, 8" – 200CFM.

Supply/Exhaust Fans

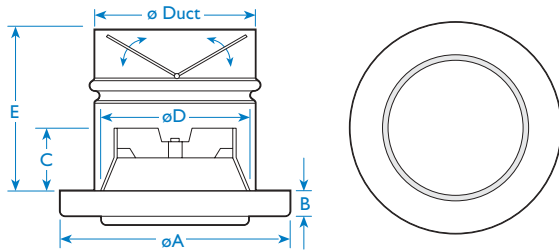
Adjustable Exhaust Grills

PGE/PGDE



Fantech's Plastic Grill. A low profile, adjustable intake/exhaust circular grill. Included with the grill is a matching diameter galvanized mounting collar with nailing strip.

PGDE includes integrated backdraft damper



Model	UPC#	ø Duct [†]	ø A	B	C	ø D	E
PGE 4	50040	4	5 1/2	3/4	1 1/2	3 7/8	3 3/4
PGE 5	50050	5	6 1/4	3/4	1 3/8	4 7/8	3 3/4
PGE 6	50060	6	7 3/4	3/4	1 3/8	5 7/8	3 3/4
PGE 8	50080	8	9 1/2	3/4	1 3/8	7 7/8	3 3/4
PGDE 4	50045	4	5 3/4	3/4	1 3/8	3 7/8	3 7/8
PGDE 6	50065	6	7 3/4	3/4	1 3/8	5 7/8	3 7/8

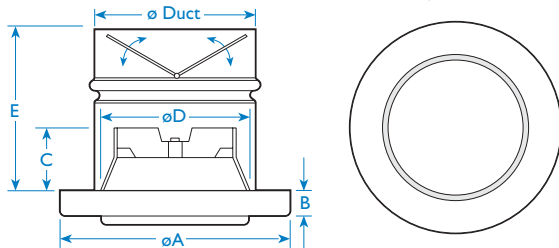
Dimensional information in inches. † Duct connections are 1/8" smaller than duct size.

MGE/MGDE



Fantech's Metal Grill. White powder coat finish. A low profile, adjustable intake/exhaust circular grill. Included with the grill is a matching diameter galvanized mounting collar with nailing strip.

MGDE includes integrated backdraft damper



Model	UPC#	ø Duct [†]	ø A	B	C	ø D	E
MGE 4	68040	4	5 3/4	5/8	1 5/8	3 7/8	3 3/4
MGE 5	68050	5	6 3/8	5/8	1 5/8	5 3/4	3 3/4
MGE 6	68060	6	7 1/2	5/8	1 7/8	5 7/8	3 3/4
MGE 8	68080	8	9 1/8	3/4	1 7/8	7 7/8	3 3/4
MGDE 4	68045	4	5 3/8	5/8	1 1/2	3 7/8	4
MGDE 6	68065	6	7 1/2	5/8	1 7/8	5 7/8	4

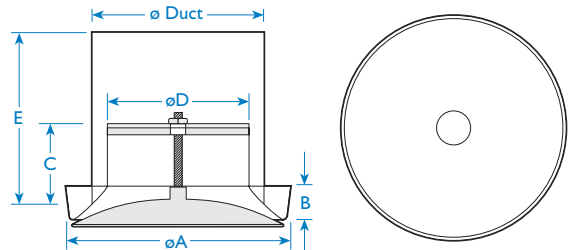
Dimensional information in inches. † Duct connections are 1/8" smaller than duct size.

Adjustable Supply Grills

PGS



Fantech's Plastic Supply Grill. A low profile, adjustable circular plastic supply grill. Included with the grill is a matching diameter galvanized mounting collar with nailing strip.



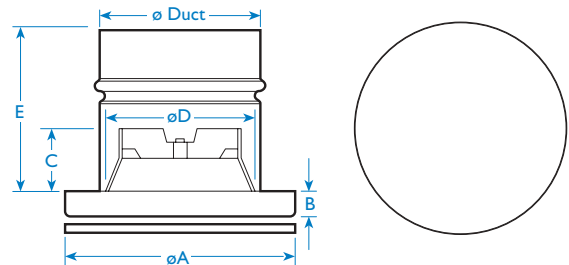
Model	UPC#	ø Duct [†]	ø A	B	C	ø D	E
PGS 4	50540	4	6	1 1/4	2 5/8	3 7/8	3 3/4
PGS 5	50550	5	7	1 3/8	2 3/4	4 7/8	3 3/4
PGS 6	50560	6	8	1 1/2	3	5 7/8	3 3/4

Dimensional information in inches. † Duct connections are 1/8" smaller than duct size.

MGS



Fantech's Metal Supply Grill. White powder coat finish. A low profile, adjustable, circular supply grill. Included with grill is a matching diameter galvanized mounting collar with nailing strip.



Model	UPC#	ø Duct [†]	ø A	B	C	ø D	E
MGS 4	68540	4	5 3/8	5/8	1 5/8	3 7/8	3 3/4
MGS 5	68550	5	6 1/4	5/8	1 5/8	5 3/4	3 3/4
MGS 6	68560	6	7 1/2	5/8	1 7/8	5 7/8	3 3/4
MGS 8	68580	8	9 1/4	3/4	1 7/8	7 7/8	3 3/4

Dimensional information in inches. † Duct connections are 1/8" smaller than duct size.

Controls & Switches

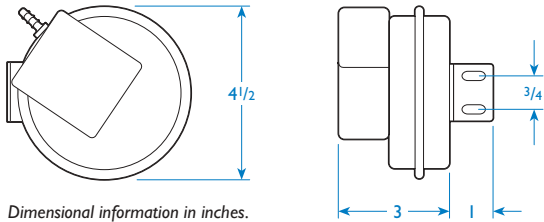
Pressure Switches

DB 10



Dryer boost switch. Automatic pressure switch allows for fully automatic operation of dryer booster fan. Fan runs for 10 minutes when positive pressure is sensed in the duct line then shuts off and turns on again as needed. Switch suitable for 115 volt supply. 2 amp rating.

UPC # 12010



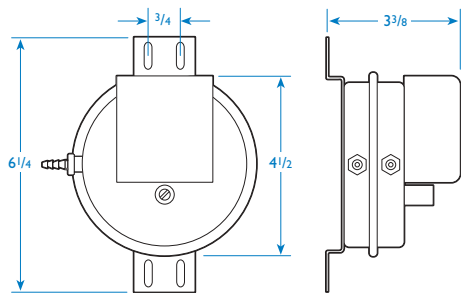
Dimensional information in inches.

FPS 10



Pressure switch. Adjustable between 0.05" to 1.0" water differential pressure. Using either positive or negative pressure sensing for duct line. Switch suitable for 115 volt supply. 10 amp rating.

UPC # 12012



Dimensional information in inches.

FI 10APR/FI 10AHW



Fan Interlock Switch with plug. Turns on booster fan or HEPA filtration system when switch senses a pressure differential. Ideal for turning on HEPA filtration unit with furnace/air handler blower. 120 volt supply. 10 amp rating. Includes cord and 3-prong plug. UPC# 47910

FI 10AHW is the hard wire version of the same switch. UPC# 47911

Variable Speed Controllers

SCD Series



Slide type variable speed controller with on/off switch. White Decora-style switch plate and screws included. Fits standard single gang box.

Note: Model SCD 7 protrudes 5/8-inch from wall.

Model	UPC#	Volts	Amps
SCD 5	56055	115	5
SCD 7	56075	115	7

WC Series



WC15 and WC25 (2 wire) rotary type variable speed controller with on/off switch. Brushed aluminum switch plate and screws included. Fits standard single gang box. WC15H (4 wire) contains all the features as the WC15 with a high speed bypass.

Model	UPC#	Volts	Amps
WC 15	56005	115	5
WC 15H	56008	115	5
WC 25	56006	220	5

RPE Series



Heavy duty rotary type variable speed controller with on/off switch. Brushed aluminum switch plate and screws included.

Model	UPC#	Volts	Amps
RPE 10	56010	115	10
RPE 15	56015	115	15
RPE 210	56210	230	10

Controls & Switches

Timers

FD 60EM



Electronic push button timer. Select from 10, 20, 30 and 60 minute timed operation of fan. Includes Decora style white switch plate and screws. Fits standard single gang box. Ideal for multiple switching locations. Switch suitable for 115 volt supply. 20 amp rating.

UPC #73200

FD 30M



Mechanical crank timer. Select from 1 to 30 minutes of timed fan operation. Switch suitable for 115 or 230 volt supply. 7 amp rating. Use with Decora-style or standard white face plate (not included). Suitable for multiple switching locations.

UPC #73030

FLD 60



Fan/Light delay timer switch. Allows continuous operation of the fan for up to 1 hour after light switch is turned off. Switch suitable for 115 volt supply. 5 amp rating. Brushed aluminum switch plate and screws included. Suitable for single switching location.

UPC #73060

RTS2



15-minute timer with LED light for use with Fantech Heat Recovery and Energy Recovery Ventilators. Works as an override switch to turn HRV or ERV on high speed for 15 minutes. Up to four timers can be used. Install in bathrooms, kitchen or laundry – where ever easy-access wall control is needed.

UPC #13462

Humidistat Controller

FH 20



Wall mounted humidistat. Adjustable between 20% and 80% relative humidity. Switch suitable for up to 115 volt supply. 7.5 amp rating. White.

UPC #73020

Attic Thermostat

FAT 10



Thermostat for use with attic ventilation systems. Adjustable between 80° and 130°F. Switch suitable for 115 volt supply. 10 amp rating.

UPC #29110

Air Screen Controls

AS DS



Cast metal and plastic plunger style door switch. Switch suitable for 115 or 230 volt supply. 15 amp rating. Designed for use with Fantech Air Screens AC-3600 through AS-6012.

UPC #29101

AS TS



Two-stage thermostat for heated Air Screens. Switch suitable for 115 or 230 volt supply. 7 amp rating.

UPC #29105

Controls & Switches

HRV/ERV Controls

EDF5

DIGITAL DISPLAY

Shows Indoor Humidity Level

DEHUMIDISTAT CONTROL

A Dehumidistat is ideal for use in energy efficient houses where indoor humidity (during the heating season) is higher than outdoor levels. High humidity is a major cause of structure damage and IAQ problems such as mold and mildew.

OVERRIDE TIMER

When pressed, unit will provide high speed ventilation for one 15, 30 or 60 minute period.

MAINTENANCE LIGHT

Light comes on when it's time to clean unit.

POWER

On/Off and Reset

MODES

Select Intermittent, Recirculation or Continuous Ventilation Modes



Control multiple functions of your Fantech HRV/ERV with one slimline wall control. Two-wire connection simplifies installation. Use one EDF5 per HRV/ERV installed.

OVERRIDE SPEED CONTROL
Push to select override speed of unit.

CYCLE CONTROL
Set unit to cycle on 15, 20, or 30 minutes every hour

MODE SPEED
Set Unit to Low, Medium or High Speed

Dehumidistats

MDEH 1



2-wire low voltage dehumidistat control with rotary dial. Just turn the dial to set the humidity level.

Multiple units can be used with Fantech HRV's. Install in bathrooms, kitchen or laundry for easy access.

UPC# 13474

AQS 1



Air Quality Sensor for use with Fantech HRV/ERV systems. Automatically senses pollutants and activates HRV/ERV to high speed if levels exceed normal condition. Features indicator light that changes color to indicate level of pollution in the home. Pushbutton override switch sets unit to run 1, 2 or 3 hours at high speed. Three-position for efficient operation. Use one per HRV/ERV system.

UPC# 13472

MDEH 2



4-wire low voltage dehumidistat control with power indicator light and on/off switch.

Dial lights up when dehumidistat turns unit to high speed. Use one per HRV system. (Do not use with EDF5.)

UPC# 13476

MPG 05



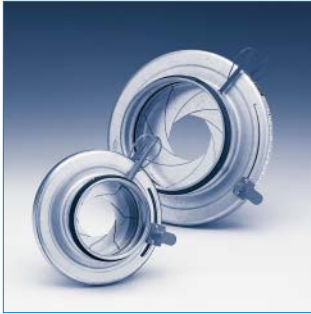
Magnehelic Pressure Gauge for measuring and balancing airflow. (0.50"/2000-OD). Shown here with optional accessories. For complete list of available accessories see Fantech Price List.

UPC# 23096

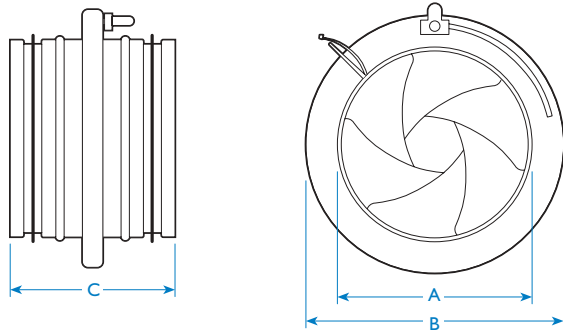
Duct Supplies

Iris Dampers

IR



Iris dampers for quiet, precise balancing of ventilation systems. Dampers include calibrated air-flow measuring device.



Model	UPC#	A†	B	C
IR 4	63040	4	6 1/2	4 1/4
IR 5	63050	5	8 1/4	4 3/4
IR 6	63060	6	9	4 1/2
IR 8	63080	8	11 1/4	4 3/4
IR 10	63100	10	13	4 3/4
IR 12	63120	12	16	4 3/4
IR 16	63160	16	22	5 1/2

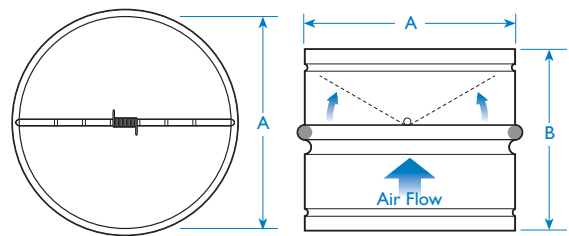
Dimensional information in inches.
† Duct connections are 1/8" smaller than duct size.

Backdraft Dampers

RSK



Backdraft dampers with galvanized steel collar and lightweight aluminum damper blades. Spring loaded for positive closure.

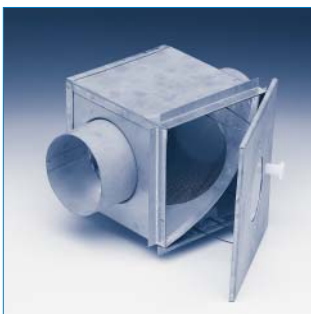


Model	UPC#	A†	B
RSK 4	69040	4	3 1/4
RSK 5	69050	5	3 1/8
RSK 6	69060	6	3 1/8
RSK 8	69080	8	3 1/8
RSK 10	69100	10	3
RSK 12	69120	12	3
RSK 14	69140	14	6 3/8
RSK 16	69160	16	6 3/8

Dimensional information in inches.
† Duct connections are 1/8" smaller than duct size.

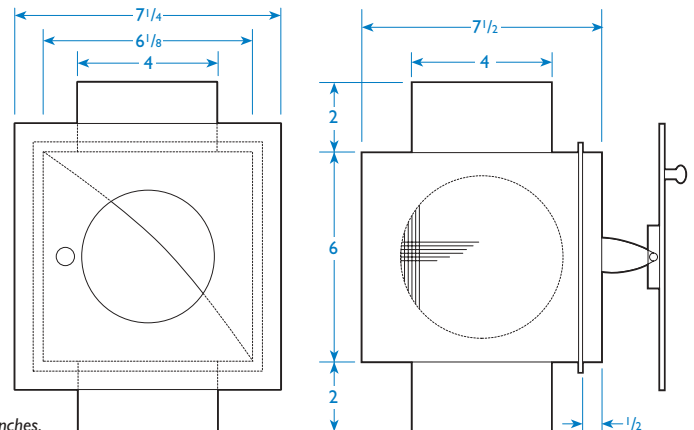
Lint Trap for Dryer Boosting

DBLT 4



Paintable galvanized metal lint trap for dryer boosting applications. Use when duct length between dryer and booster fan is less than 15 feet. Fits 4-inch duct. Features pull out door with view window, removable lint filter for easy cleaning and 1/2-in flange for flush mount installation.

UPC #12004



Dimensional information in inches.

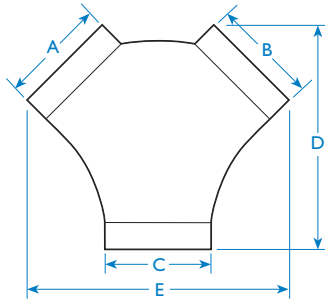
Duct Supplies

Sheet Metal Adapters

FY



“Y” adapter for circular duct. Constructed of galvanized sheet metal.



Model	UPC#	A†	B†	C†	D	E
FY 4	64040	4	4	4	10½	12½
FY 5	64050	5	5	5	11	14
FY 6	64060	6	6	6	12½	13½
FY 86	64806	6	6	8	13	16
FY 8	64080	8	8	8	10	14
FY 810	64810	8	8	10	10½	16½

Dimensional information in inches.
† Duct connections are 1/8" smaller than duct size.

Roof Curbs

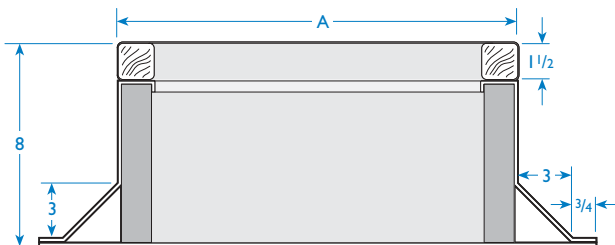
WI/CI



Prefabricated roof curbs reduce installation time by ensuring compatibility of the fan and curb. Curbs feature a welded 18 gauge galvanized steel construction, 3-inch cant, insulation and wooden nailing rail. Standard height is 8-inches.

Model	UPC#	A	FANS
WI 1508	42158	15	RC 6
CI 18Q08	42188	18½	RC 8XL RC 10XL

Dimensional information in inches.

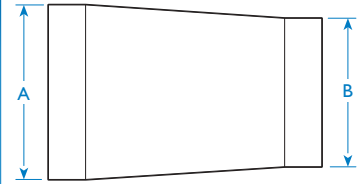


Dimensional information in inches.

CKR



Increaser or reducer for circular duct. Constructed of galvanized sheet metal.



Model	UPC#	A†	B†
CKR 54	65054	5	4
CKR 64	65064	6	4
CKR 86	65086	8	6

Dimensional information in inches.
† Duct connections are 1/8" smaller than duct size.

Silencers for Round Duct

LD



Galvanized steel silencer for use in kitchen range hood ventilation and other applications where noise is a concern. A Fantech silencer can typically reduce the “perceived” sound level of the system by more than 50%. Units feature rubber seal on inlet and outlet.

Note: The recommended connector for the LD12 is the FC12-315 (see page 9).

Model	UPC#	ø Duct†	Outside ø	Length
LD 4	79040	4	8	23 ⁵ / ₈
LD 5	79050	5	9	23 ⁵ / ₈
LD 6	79060	6	10¼	23 ⁵ / ₈
LD 8	79080	8	12½	23 ⁵ / ₈
LD 10	79100	10	14	35½
LD 12	79120	12	17¾	35½
LD 16	79160	16	25	35½

Dimensional information in inches.
† Duct connections are 1/8" smaller than duct size.

Model	Sound Data (Suppression dB Frequency Bands Hz)						
	125	250	500	1000	2000	4000	8000
LD 4	8	14	26	34	41	45	25
LD 5	6	12	22	28	37	38	22
LD 6	5	10	18	23	33	30	19
LD 8	4	9	17	22	29	25	18
LD 10	6	11	21	27	39	25	19
LD 12	5	9	18	23	32	20	18
LD 16	5	8	11	23	19	17	15

Duct Supplies

Round Flexible Duct

FIDT



Flexible round insulated duct. Available in 25-foot lengths. UL listed.

Model	UPC#	ø Duct
FIDT 4	59040	4
FIDT 5	59050	5
FIDT 6	59060	6
FIDT 8	59080	8
FIDT 10	59100	10

Dimensional information in inches.

Clamps for Circular Duct

CB



Plastic duct clamps. For use with flexible duct, easy to install locking slide clamps.

Model	UPC#	ø Duct
CB 34	51041	4
CB 56	51051	5 - 6
CB 810	51081	8 - 10

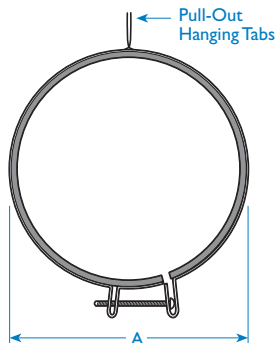
Dimensional information in inches.

FC



Stabilizing mounting clamps. Two inch wide galvanized steel bands lined with neoprene. Can be used for suspended installation of fan. For use with rigid duct work (sold in pairs).

FC12-315 connector kit for LD12 or other European 315mm duct.



Model	UPC#	A
FC 4	51040	4
FC 5	51050	5
FC 6	51060	6
FC 8	51080	8
FC 10	51100	10
FC 12	51120	12
FC 12-315	51125	12 ³ / ₈

Dimensional information in inches.

Inlet Guards

IG



Wire ring inlet guards used to prevent foreign objects from entering duct line. Zinc chromate plated steel.

Model	UPC#	ø Duct
IG 4	75040	4
IG 5	75050	5
IG 6	75060	6
IG 8	75080	8
IG 10	75100	10
IG 12	75120	12

Dimensional information in inches.

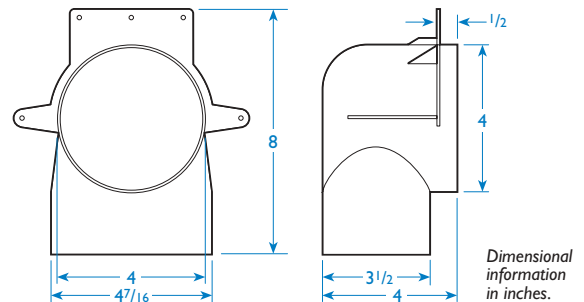
Elbows

FEL 4



Heavy-duty plastic 90° mounting collar/elbow for use in 2 x 4 stud walls. Use with 4-inch duct. With half-inch drywall lip already set, just nail in place and connect duct. Low depth profile makes this elbow the perfect solution for sidewall ventilation within a wall partition.

UPC #64495



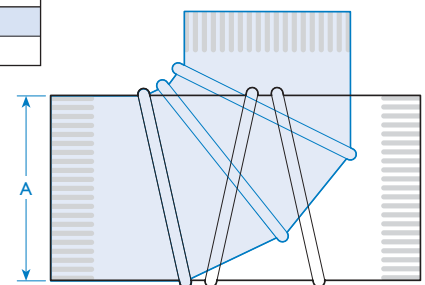
Dimensional information in inches.

FEA

Round metal elbows adjust from 0° to 90°. Ideal for installations where space is at a minimum.

Model	UPC#	ø Duct
FEA 4	64490	4
FEA 6	64690	6

Dimensional information in inches.



Exterior Vents

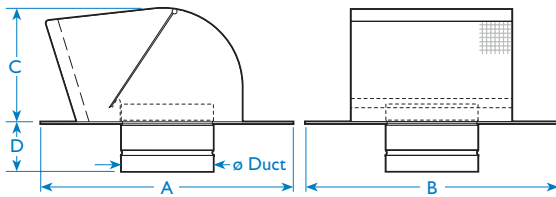
Roof Caps

RC



Roof Cap with damper flap closure, duct connection and screened exhaust opening.

Stainless steel or copper roof caps available by special order. Call for more information.



Model	UPC#	ø Duct†	A	B	C	D	Material
RC 4	71040	4	11 1/2	9	5 3/4	1 3/8	Aluminum
RC 5	71050	5	14	14	7	3	Galvanized Steel
RC 6	71060	6	14	14	7	3	Galvanized Steel
RC 8	71080	8	16	16	8	3	Galvanized Steel
RC 10	71100	10	22	20	10	3	Galvanized Steel
RC 12	71120	12	24	22	12	3	Galvanized Steel

Dimensional information in inches. † Duct connections are 1/8" smaller than duct size.

Outdoor Hoods

COM/FML

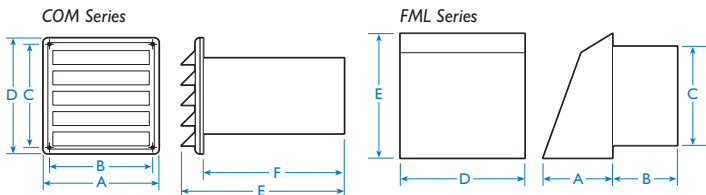


Outdoor Hoods in 6" to 12" sizes.

COM models include a pair (2) supply/exhaust louvers. White. Choose metal or plastic.

FML models include a single prepainted aluminum hood for supply or exhaust applications. White.

See Fantech price list for complete description of models available.



Model	UPC#	ø Duct†	A	B	C	D	E	F
COM 6P	24045	6	9 1/8	8 1/4	8 1/4	9 1/8	12 11/16	12
COM 6M	24125	6	9 1/8	8 1/4	8 1/4	9 1/8	12 11/16	12
FML 8	24118	8	5 11/16	3 5/16	8	10	10	—
FML 10	24120	10	7	3 5/16	10	10	10	—
FML 12	24122	12	8 1/2	3 5/16	12	14 1/8	14 1/8	—

Dimensional information in inches. † Duct connections are 1/8" smaller than duct size.

Soffit Vent

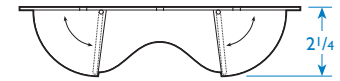
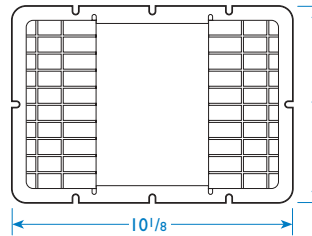
UEV 4



Plastic soffit vent for use with 4 or 6-inch duct.

Note: Use FEA4 or FEA6 (shown on page 9) for installations where flex duct is used.

UPC #71041



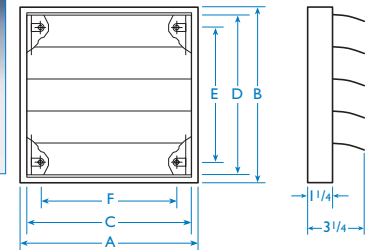
Dimensional information in inches.

Louvered Vents

HS



Plastic louvered shutter with duct connection.



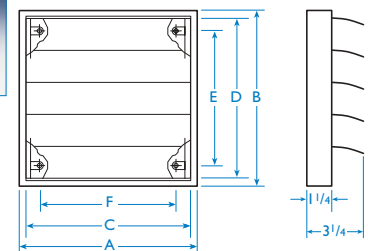
Model	UPC#	ø Duct†	A	B	C	D	E	F
HS 4W	62040	4	6	6	4 1/2	4 1/2	5 1/2	5 1/2
HS 5W	62050	5	8	8	7	7	7 3/8	7 3/8
HS 6W	62060	6	8	8	7	7	7 3/8	7 3/8

Dimensional information in inches. † Duct connections are 1/8" smaller than duct size.

VK



Plastic louvered shutter with duct connection. Includes tab collar for duct connection.



Model	UPC#	ø Duct†	A	B	C	D	E	F
VK 25	62080	8	11 1/2	11 1/2	10 1/2	10 1/4	8 1/2	9 1/2
VK 30	62100	10	13 1/2	13 1/2	12 1/2	12	10 1/2	11 1/2
VK 35	62120	12	15 1/2	15 1/2	14 1/2	14	12 1/2	13 1/2

Dimensional information in inches. † Duct connections are 1/8" smaller than duct size.

Range Hood Liners

SHL

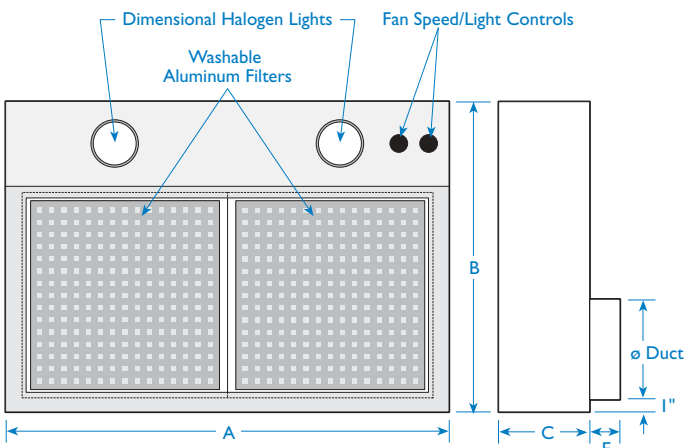
Heavy duty 22 gauge stainless steel construction, with prewired switching for remote mounted fan. Features include dimmable halogen lights, fan speed control and removable aluminum filters for easy cleaning and maintenance. UL approved.



Shown right: Typical range hood installation using Fantech's SHL Range Hood Liner, RSK Backdraft Damper, LD Silencer and Inline Fan. Hood Liner can also be used with exterior mounted fans. See chart for correct sizing information.



Dimensional Information



Model	UPC#	∅ Duct†	A	B	C	E
SHL 36	47036	8	34½	22	6	3
SHL 48	47048	10	46½	22	6	3

Dimensional information in inches.
† Duct connections are 1/8" smaller than duct size.

Recommended Fans for Range Hood Liner

SHL 36

Model	Location	Mounting	Airflow at 0"	Typical Airflow†	Sones	Sones with Silencer‡
FX 8	interior	inline	481	370	7.3	2.6
FX 8XL	interior	inline	521	450	10.0	3.3
FKD 8XL	interior	inline	836	650	14.1	6.3
FKD 10XL	interior	inline	1266	1020	20.2	8.0
RVF 8XL	exterior	wall	435	370	9.8	3.7
RE 8XL	exterior	roof/wall	401	350	9.7	3.6
RE 10XL	exterior	roof/wall	753	700	16.4	5.2

SHL 48

Model	Location	Mounting	Airflow at 0"	Typical Airflow†	Sones	Sones with Silencer‡
FX 10	interior	inline	521	470	11.3	3.6
FX 10XL	interior	inline	590	540	12.1	3.9
FKD 10	interior	inline	910	780	15.3	6.6
FKD 10XL	interior	inline	1266	1060	20.2	8.0
FKD 12XL	interior	inline	2016	1460	18.9	8.4
RE 10XL	exterior	roof/wall	753	720	16.4	5.2

† Typical airflow is an estimate based on a system with 20-feet of duct, 2 - 90° elbows, backdraft damper, roof cap and filter.
‡ Adding a silencer to a typical system will generally reduce the sound level by more than 50%.

Index

Supply/Exhaust Grills

Combination Exhaust Grill & Light	
VLC64	2
Fixed Exhaust Grills	
DG 4	2
DG 6	2
DGD 4	2
DGD 6	2
Adjustable Exhaust Grills	
MGDE 4	3
MGDE 6	3
MGE 4	3
MGE 5	3
MGE 6	3
MGE 8	3
PGDE 4	3
PGDE 6	3
PGE 4	3
PGE 5	3
PGE 6	3
PGE 8	3
Adjustable Supply Grills	
PGS 4	3
PGS 5	3
PGS 6	3
MGS 4	3
MGS 5	3
MGS 6	3
MGS 8	3

Controls & Switches

Pressure Switches	
DB 10	4
FPS10	4
FI 10APR	4
FI 10AHW	4
Variable Speed Controllers	
RPE 10	4
RPE 15	4
RPE 210	4
SCD 5	4
SCD 7	4
WC 15	4
WC 15H	4
WC 25	4
Timers	
FD 30M	5
FD 60EM	5
FLD 60	5
RTS 2	5
Humidistat Controller	
FH 20	5

Attic Thermostat	
FAT 10	5
Air Screen Controllers	
AS DS	5
ASTS	5

HRV/ERV Controls

Intellitek Control	
EDF5	6
Air Quality Sensor	
AQS 1	6
Dehumidistats	
MDEH 1	6
MDEH 2	6
Pressure Gauge	
MPG 05	6

Duct Supplies

Iris Dampers	
IR 4	7
IR 5	7
IR 6	7
IR 8	7
IR 10	7
IR 12	7
IR 16	7

Backdraft Dampers	
RSK 4	7
RSK 5	7
RSK 6	7
RSK 8	7
RSK 10	7
RSK 12	7
RSK 14	7
RSK 16	7

Lint Trap for Dryer Boosting	
DBLT 4	7
Sheet Metal Adapters	
CKR 54	8
CKR 64	8
CKR 86	8
FY 4	8
FY 5	8
FY 6	8
FY 86	8
FY 8	8
FY 810	8

Silencers For Round Duct	
LD 4	8
LD 5	8
LD 6	8
LD 8	8
LD 10	8
LD 12	8
LD 16	8

Roof Curbs	
WI 1508	8
CI 18Q08	8

Circular Duct Clamps	
CB 34	9
CB 56	9
CB 810	9

Mounting Clamps	
FC 4	9
FC 5	9
FC 6	9
FC 8	9
FC 10	9
FC 12	9
FC 12-315	9

Elbows	
FEA 4	9
FEA 6	9
FEL 4	9

Round Flexible Duct	
FIDT 4	9
FIDT 5	9
FIDT 6	9
FIDT 8	9
FIDT 10	9

Inlet Guards	
IG 4	9
IG 5	9
IG 6	9
IG 8	9
IG 10	9
IG 12	9

Exterior Vents

Louvered Shutters	
HS 4W	10
HS 5W	10
HS 6W	10
VK 25	10
VK 30	10
VK 35	10

Roof Caps	
RC 4	10
RC 5	10
RC 6	10
RC 8	10
RC 10	10
RC 12	10

Outdoor Hoods	
COM 6P	10
COM 6M	10
FML 8	10
FML 10	10
FML 12	10

Soffit Vents	
UEV 4	10

Range Hood Liners

SHL 36	11
SHL 48	11



For more information contact:

Fantech

web: www.fantech.net
e-mail: info@fantech.net

United States

1712 Northgate Blvd.
Sarasota, Florida 34234
Phone: 800-747-1762; 941-309-6000
Fax: 800-487-9915; 941-309-6099

Ontario & Western Canada

10-6665 Tomken Road
Mississauga, Ontario L5T 2C4
Phone: 800-407-6195; 905-696-9241
Fax: 800-407-8965; 905-696-9236

Quebec & Atlantic Provinces

50 Kanalfakt Wway
Boucrouche, NB E4S 3M5
Phone: 800-565-3548; 506-743-9500
Fax: 877-747-8116; 506-743-9600