



MPM19W



JOB NAME: _____

DATE: _____

TYPE: _____

DESCRIPTION

Sturdy 19" PVC mounting post for ground mounted landscape lighting. Perfect for Lawn Lights, PAR-38 and Quartz Floods. Post is 2 1/2" pipe (2 7/8" O.D.) In-ground stabilizing grid. included.

SPECIFICATIONS

Patented Design:

The unique Mighty Post is protected by the US Patent #D424524

Post Materials:

UL Schedule 40 PVC pipe

Set Screw:

Locks cap to post and prevents rotation

UL Listing:

Suitable for wet locations. Fixtures with ground wire must be used

Cap:

Metal

Color:

White

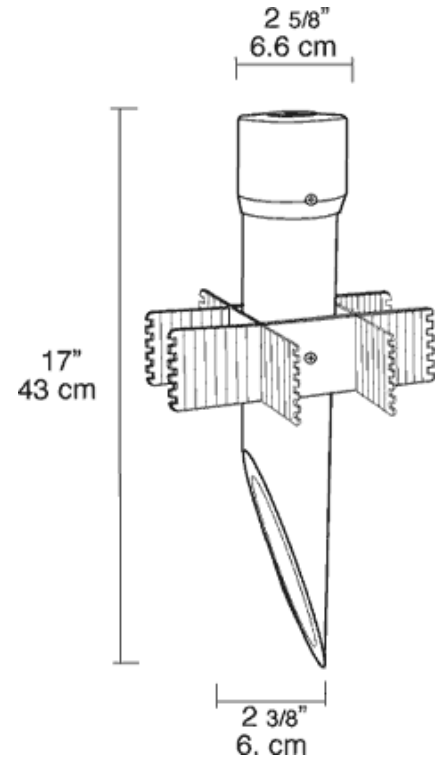
Patents:

RAB sensor and fixture designs are protected under U.S. and International Intellectual Property laws

Weight:

2.25

DIMENSIONS



Note: Specifications may change without notice

RAB Lighting, Inc. • 170 Ludlow Ave • Northvale, NJ 07647 • Tel: 888 RAB-1000 • Fax: 888 RAB-1232 • www.rabweb.com

© 2007