
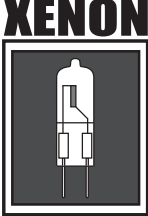
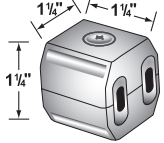
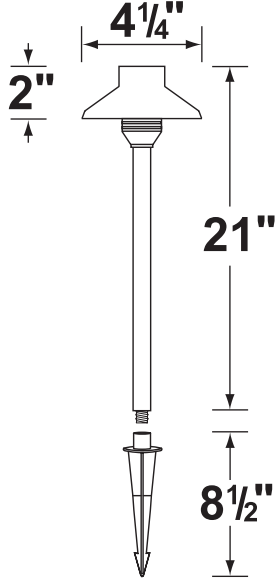



<b>CL-650B-AB</b>		 <p style="text-align: center;"><b>CL-650B-AB</b></p>	 <p style="text-align: center;"><b>XENON</b> AVAILABLE</p>
<b>Product Specification Sheet</b>			
<b>HOUSING:</b>	Solid brass shade.		
<b>FINISH:</b>	<b>AB</b> -Antique Bronze		
<b>LENS:</b>	Frosted polycarbonate, cover over lamp providing sprinkler-water protection		
<b>LAMP TYPE:</b>	12V, T3 halogen, 20W max.  See lamp guide for T3 Xenon lamps.	 <p style="text-align: center;"><b>CX-839</b> CORONA UNIVERSAL CONNECTOR AVAILABLE</p>	
<b>MOUNTING:</b>	Brass tube with 1/2" NPT, stocked with shade assembly to thread directly onto the bottom of lens holder for tool free relamping, including ABS ground spike. Wire connector excluded.  See accessories & parts for optional mounting hardware.		 <p style="text-align: center;"><b>CORONA</b> Lighting WWW.CORONALIGHTING.COM Tel: 800-727-9262 213-747-4500 Fax: 800-727-9957 213-747-3234</p>
<b>WIRING:</b>	Fixture is prewired with a 3-foot pigtail of direct burial cable.		

- Fixture is supplied with 10W T3 halogen lamp.
- Remote 12 Volt transformer is required.
- See transformers and accessories for variety of options and choices.