

# SPECIFICATION SHEET

## PRODUCT # : CL-802-F

•Flexible BBQ- Deck Light

•Aluminum & Steel

### Fixture Specifications:

**Head:** Diecast aluminum.

**Arm:** Flexible steel black polyolefin shrink wrap arm, available in 12", 24" and 36" lengths.

**Finish:** Polyester UV powder coated, available in **BK- Black**

**Lens:** Clear, tempered, and heat resistant glass.

**Socket:** Top grade bi-pin socket

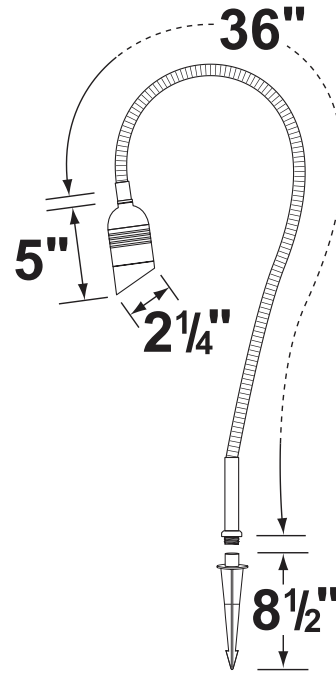
**Lamps:** 12V, MR-11 halogen 35W max. Standard L-FTB-C20 (20w). 3W lamp LED lamp also available. See lamp guide below for more information.

**Mounting:** Standard injection molded spike with 1/2" NPT threaded female hub.

**Wiring:** Fixture is prewired with a 3ft direct burial cable. Wire connector sold separately. Universal connector (**CX-839**) or silicone filled wire nut (**CX-854**) is available from Corona Lighting.

**Electrical Notes:** A remote 12V transformer is required. Options are available from Corona Lighting. Voltage range for halogen and LED lamps is 11-12.5V. Proper grease/lubricant is suggested on threaded parts during installation process.

**Warranty:** Five (5) year warranty on fixture against manufacturer's defects.



### AVAILABLE LED LAMPS (Corona LED lamps have a five (5) year limited warranty against manufacturer's defects)

LAMP NUMBER	WATTS	BEAM		COLOR & TEMP.	RATED HOURS	HALOGEN EQUIVALENT
		SPREAD	LUMEN			
L-ED11-3W	3	40° FL	220	2700K	40,000	35 Watt

### AVAILABLE HALOGEN LAMPS, Clear

LAMP NUMBER	WATTS	BEAM		COLOR & TEMP.	RATED HOURS
		SPREAD	LUMEN		
L-FTB-20	20	10° NSP	500	3000K	2,000
L-FTH-35	35	30° FL	900	3000K	2,000

### AVAILABLE HALOGEN LAMPS, Front Glass

LAMP NUMBER	WATTS	BEAM		COLOR & TEMP.	RATED HOURS
		SPREAD	LUMEN		
L-FTB-C20	20	10° NSP	460	3000K	2,000
L-FTH-C35	35	36° FL	1000	3000K	2,000

### JOB INFORMATION

TYPE: \_\_\_\_\_ DATE: \_\_\_\_\_

JOB NAME & ADDRESS: \_\_\_\_\_

PRODUCT #: \_\_\_\_\_

TOTAL QUANTITY: \_\_\_\_\_

LAMP TYPE & WATTAGE: \_\_\_\_\_

TRANSFORMER: \_\_\_\_\_

CONTRACTOR: \_\_\_\_\_

SPECIFIER: \_\_\_\_\_

• When ordering a halogen or xenon lamp add lamp number to the product number. If you are ordering LED lamps you should follow the format below:

• **CL** - **product #** - **Length** - **lamp** - **wattage**  
**CL - 802-F-BK - 24 - L-ED11 - 3W**

Example: CL-802-F-BK-24-L-ED11-3W

• Corona Lighting reserves the right to make any change and/or improvement to the design and construction of this fixture without further notification.