



# ASSEMBLY/INSTALLATION INSTRUCTION

**Please read carefully before installation  
SAVE THESE INSTRUCTIONS**

**Directional Lights**

**120 Volt**



**ES-1303**



**ES-2603**

## Assembly Instructions

- 1- Remove lens (A) away from fixture by loosening 4 screws.
- 2- To install lamp: Fit PL-13 watt lamp- into the socket firmly.
- 3- Replace the lens securely by tightening the 4 screws.
- 4- Connect the white supply wire (from outlet box) to white fixture wire.
- 5- Connect the black supply wire (from outlet box) to black fixture wire.
- 6- Attach to a UL Listed Wet Location outlet box and cover.

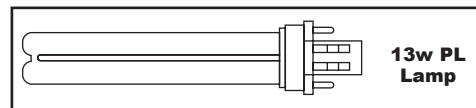
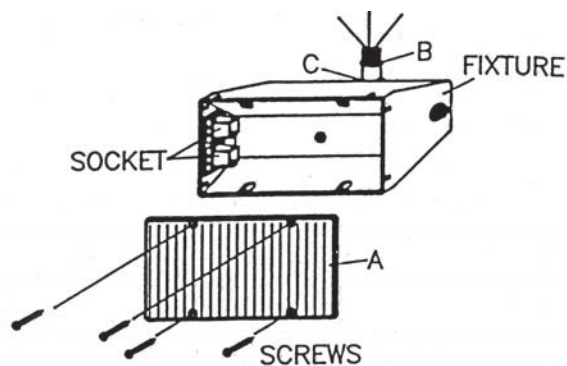
## SETTING ANGLE:

1. Place fixture at desired height and location. Secure in position with locknut (B)
2. To set angle, loose bolt (C), tilt fixture to desired angle and retighten bolt.

## Caution:

Fixture(s) must be installed in accordance with all local codes and ordinances.

## ES-2603 shown



**13w PL  
Lamp**

One 13w, PL Lamp for ES-1303  
Two 13w, PL Lamps for ES-2603

**SAVE THESE INSTRUCTIONS**

## Limited Warranty

Corona Lighting warrants its products to be free of defects in material and workmanship under normal use, when installed in accordance with installation instructions, specifications and accepted trade practices as follows:

- Aluminum and composite components: One year limited warranty from date of sale.
- Brass, copper, and stainless steel components: Limited lifetime warranty from date of sales.
- Transformers: Ten years limited warranty from date of sales. One year warranty for timers, photocells, and accessories. Limited life time warranty on stainless steel enclosures.

This warranty excludes:

1. Light bulbs.
2. Products not used in accordance with directions specified in installation instructions and subject to un-authorized repair.
3. Damages caused by accident, alteration, misuse, abuse and exceeding the cost of product.
4. Costs incurred in shipment, repair, replace, remove or install of product by buyer and others.

## Limit of Liability and other conditions

- Corona Lighting reserves the right to issue credit, repair or replace the defective product at our option upon receipt of written notification by original buyer of the alleged defect. Corona Lighting assumes no responsibility for improper installation of the product and shall not be liable for any incidental or consequential damages resulting from use of this product.
- The use of other company's products or components in conjunction with Corona Lighting's products may not covered by UL classifications and could be hazardous. Such usage, whether covered by UL classifications or not, automatically voids Corona Lighting product warranty.
- Corona Lighting does not authorize any other warranty, verbal or written except as described here.
- Corona Lighting reserves the right to make any changes to its products without prior notice.

Visit Corona Lighting's Web Site @ [www.coronalighting.com](http://www.coronalighting.com) for complete products information.

Corona Lighting, Inc. ; Los Angeles, California