



ASSEMBLY/INSTALLATION INSTRUCTION

**Please read carefully before installation
SAVE THESE INSTRUCTIONS**

Directional Lights

120 Volt



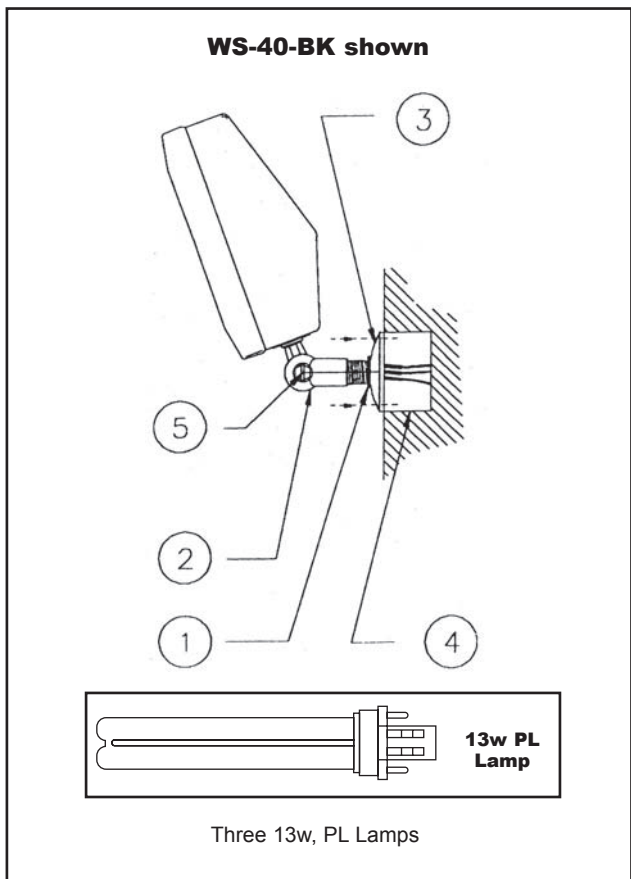
WS-40

Assembly Instructions

- 1- Remove diffuser by removing, the four screws.
- 2- Insert 13W PL lamps in lamp sockets and ensure they are sitting within plastic lamp retention clips.
- 3- Re-fit diffuser and tighten screws firmly to ensure tight waterproof seal.
- 4- For lamp replacement please repeat steps 1-3.

WALL MOUNT INSTALLATION:

- 1- Thread locknut (1) to upper end of knuckle (2)
- 2- Insert fixture wires thru junction box cover (3) (by others) and thread cover onto knuckle.
- 3- Connect the live supply to the black lead from the floodlight, the neutral to the white lead and the earth to the green lead.
- 4- Mount cover and fixture to junction box (4)
- 5- Loosen the clamping screw (5) until knuckle rotates freely.
- 6- Aim the fixture. & Tighten knuckle hardware.



Caution:

Fixture(s) must be installed in accordance with all local codes and ordinances.

SAVE THESE INSTRUCTIONS

Limited Warranty

Corona Lighting warrants its products to be free of defects in material and workmanship under normal use, when installed in accordance with installation instructions, specifications and accepted trade practices as follows:

- Aluminum and composite components: One year limited warranty from date of sale.
- Brass, copper, and stainless steel components: Limited lifetime warranty from date of sales.
- Transformers: Ten years limited warranty from date of sales. One year warranty for timers, photocells, and accessories. Limited life time warranty on stainless steel enclosures.

This warranty excludes:

1. Light bulbs.
2. Products not used in accordance with directions specified in installation instructions and subject to un-authorized repair.
3. Damages caused by accident, alteration, misuse, abuse and exceeding the cost of product.
4. Costs incurred in shipment, repair, replace, remove or install of product by buyer and others.

Limit of Liability and other conditions

- Corona Lighting reserves the right to issue credit, repair or replace the defective product at our option upon receipt of written notification by original buyer of the alleged defect. Corona Lighting assumes no responsibility for improper installation of the product and shall not be liable for any incidental or consequential damages resulting from use of this product.
- The use of other company's products or components in conjunction with Corona Lighting's products may not covered by UL classifications and could be hazardous. Such usage, whether covered by UL classifications or not, automatically voids Corona Lighting product warranty.
- Corona Lighting does not authorize any other warranty, verbal or written except as described here.
- Corona Lighting reserves the right to make any changes to its products without prior notice.

Visit Corona Lighting's Web Site @ www.coronalighting.com for complete products information.

Corona Lighting, Inc. ; Los Angeles, California