

# ELD44ICA

4" LED New Construction  
IC Airtight Housing



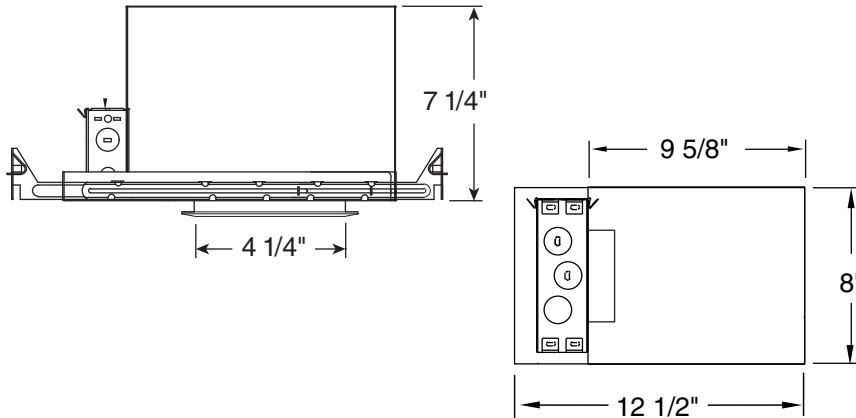
## PROJECT INFORMATION:

Project Name: \_\_\_\_\_

Fixture Type: \_\_\_\_\_

Date: \_\_\_\_\_

## DIMENSIONS



## PRODUCT SPECIFICATIONS

- Housing includes LED module and driver unit.
- Double wall construction, for use in insulated ceilings.
- 7 1/4" height allows for use in 2 x 8 construction.
- Adjustable housing accommodates up to 1 1/4" ceiling thickness.
- Advanced heat sink design for best heat dissipation to maintain maximum LED module life.
- Over 660 lumens effective light output (with baffle trim).
- High CRI (>80), warm white (3000°K), high lumen maintenance.
- Housing meets restricted air flow requirement (per ASTM E-283).
- CA Title 24 compliant.
- Meets ENERGY STAR requirements.
- Trims sold separately.

**Lamp:** 13W LED module, 350mA DC

**Driver:** 120V AC, 0.14A high quality driver  
Dimmable with most incandescent and electronic dimmers.

**Trim Ring:** Polycarbonate trim ring designed to conceal ceiling cutout.

**ELD44ICA:** 3000°K, 660 lm

**Note:** Battery backup driver available upon request.

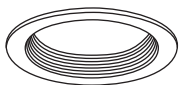
## INSTALLATION

**Junction Box:** Pre-wired junction box provided with 1/2" and 3/4" knockouts. Maximum (8) No. 12 AWG branch circuit conductors (4 in, 4 out). Junction box provided with removable access plates.

**Mounting Frame:** Stamped galvanized steel construction for corrosion resistance.

**Mounting:** Captive bar hangers span 24" and can be repositioned 90°. Housing accommodates various ceiling thickness.

## TRIMS



**Baffle with Frosted Lens Trim**  
EL4422W  
4 7/8" O.D.



**Reflector with Frosted Lens Trim**  
EL4424W  
4 7/8" O.D.

## CATALOG NUMBER

**Example:** ELD44ICA - EL4422W