

ELD46ICA

4" LED New Construction
IC Airtight Housing



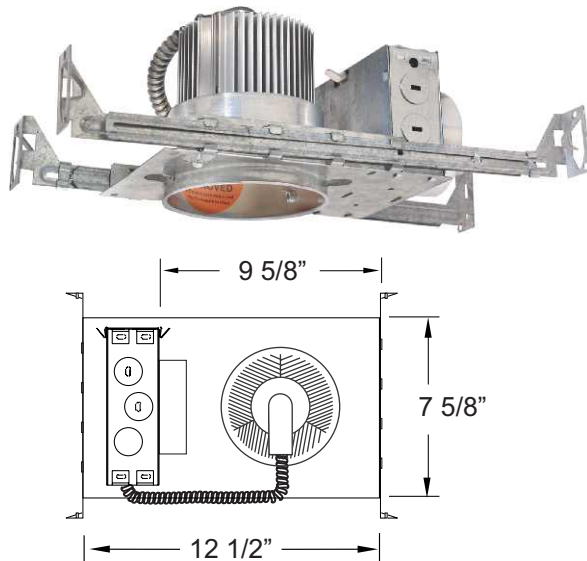
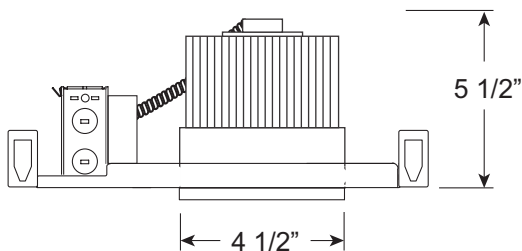
PROJECT INFORMATION:

Project Name: _____

Fixture Type: _____

Date: _____

DIMENSIONS



PRODUCT SPECIFICATIONS

- Housing includes LED module and driver unit.
- Single wall IC construction, for use in insulated ceilings.
- 5 1/2" height allows for use in 2 x 6 construction.
- Adjustable housing accommodates up to 1 1/4" ceiling thickness.
- Advanced heat sink design for best heat dissipation to maintain maximum LED module life.
- Housing meets restricted air flow requirement (per ASTM E-283).
- CA Title 24 compliant.
- Meets ENERGY STAR requirements.
- Trims sold separately.

Lamp: LED CREE COB-chip, CRI 90

ELD46ICA: 14.7W, 3000°K, 950 lm

LED Driver: 120V AC, 350mA DC, dimmable with most incandescent and electronic dimmers. Contact factory for suggested models.

Note: Battery backup driver available upon request.

INSTALLATION

Junction Box: Pre-wired junction box provided with 1/2" and 3/4" knockouts. Maximum (8) No. 12 AWG branch circuit conductors (4 in, 4 out). Junction box provided with removable access plates.

Mounting: Captive bar hangers span 24" and can be repositioned 90°. Housing accommodates various ceiling thickness.

Mounting Frame: Stamped galvanized steel construction for corrosion resistance

TRIMS



Baffle Trim with Frosted Lens
EL4422W
4 7/8" O.D.



Reflector Trim with Frosted Lens
EL4424W
4 7/8" O.D.

CATALOG NUMBER

Example: ELD46ICA - EL4422W

See trims page for variety of trims available