

ET562B

ET562W

Vertical Gimbal

PROJECT INFORMATION:

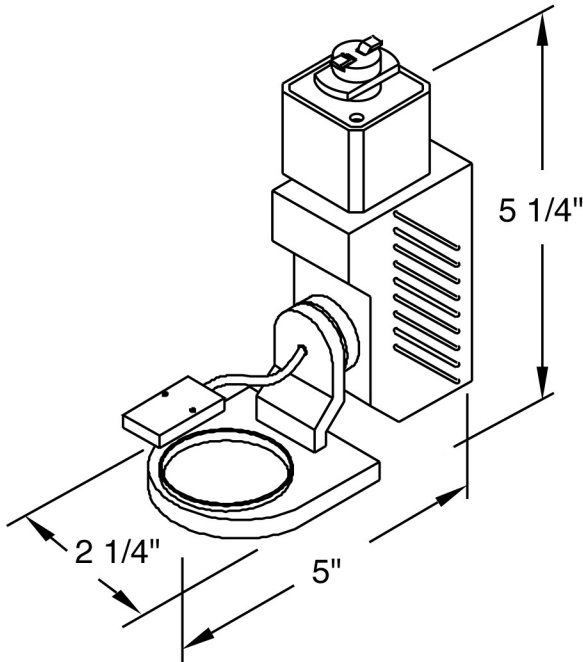
Project Name: _____

Fixture Type: _____

Date: _____

ET562B; ET562W

DIMENSIONS



PRODUCT SPECIFICATIONS

All track heads except HID have adjustable track adapter to allow for use with single circuit and double circuit tracks.

- Vertical Gimbal
- Metal Housing
- 90 degree vertical movement of 358 degree rotation
- Includes Transformer

Lamp: 50W MR16 12V

Transformer: Low Voltage Electronic (included)

Dimensions: Length: 5"
Diameter: 2 1/4"
Max. Extension: 5 1/4"

Finish: (B) Black, (W) White

Labels: U.L. or E.T.L. listed

LAMP NOT INCLUDED

CATALOG NUMBER

Example: ET562B (Black)
ET562W (White)