

ET629B; ET629BZ ET629CP; ET629N ET629W

Gimbal Ring

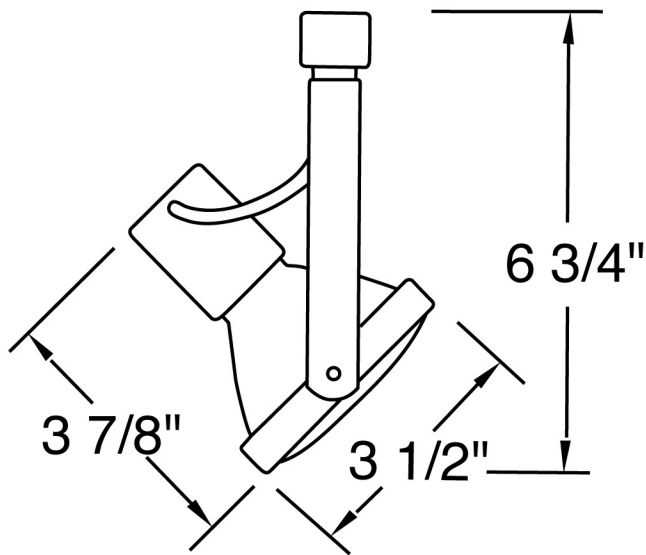
PROJECT INFORMATION:

Project Name: _____

Fixture Type: _____

Date: _____

DIMENSIONS



PRODUCT SPECIFICATIONS

All track heads except HID have adjustable track adapter to allow for use with single circuit and double circuit tracks.

- Gimbal Ring
- Metal Housing
- 90 degree vertical movement of 358 degree rotation

Lamp: 120V 50W PAR20

Transformer: Not Included

Dimensions: Length: 6 3/4"
Diameter: 3 1/2"
Max. Extension: 3 1/2"

Finish: (B) Black, (BZ) Bronze, (CP) Copper, (N) Brushed Nickel, (W) White

Labels: U.L. or E.T.L. listed

LAMP NOT INCLUDED

CATALOG NUMBER

Example: ET629B (Black)
ET629BZ (Bronze)
ET629CP (Copper)
ET629N (Brushed Nickel)
ET629W (White)