

ET630B; ET630BZ ET630CP; ET630N ET630W

Gimbal Ring

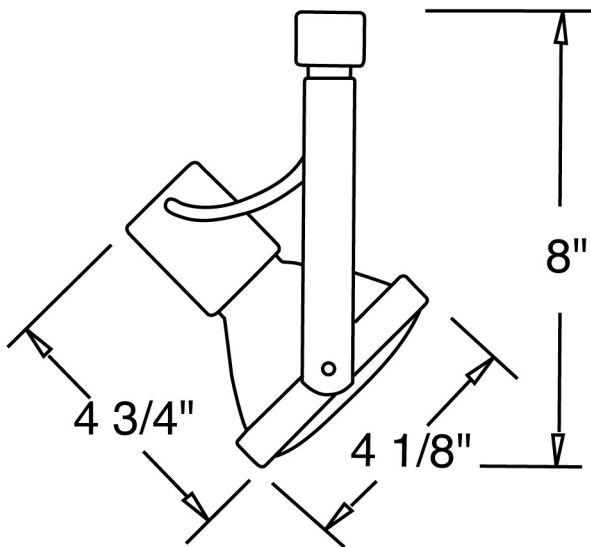
PROJECT INFORMATION:

Project Name: _____

Fixture Type: _____

Date: _____

DIMENSIONS



PRODUCT SPECIFICATIONS

All track heads except HID have adjustable track adapter to allow for use with single circuit and double circuit tracks.

- Gimbal Ring
- Metal Housing
- 90 degree vertical movement of 358 degree rotation

Lamp: 120V 75W PAR30

Transformer: Not Included

Dimensions: Length: 4 3/4"
Diameter: 4 1/8"
Max. Extension: 8"

Finish: (B) Black, (BZ) Bronze, (CP) Copper, (N) Brushed Nickel, (W) White

Labels: U.L. or E.T.L. listed

LAMP NOT INCLUDED

CATALOG NUMBER

Example: ET630B (Black)
ET630BZ (Bronze)
ET630CP (Copper)
ET630N (Brushed Nickel)
ET630W (White)