

ET641B ET641W

Universal

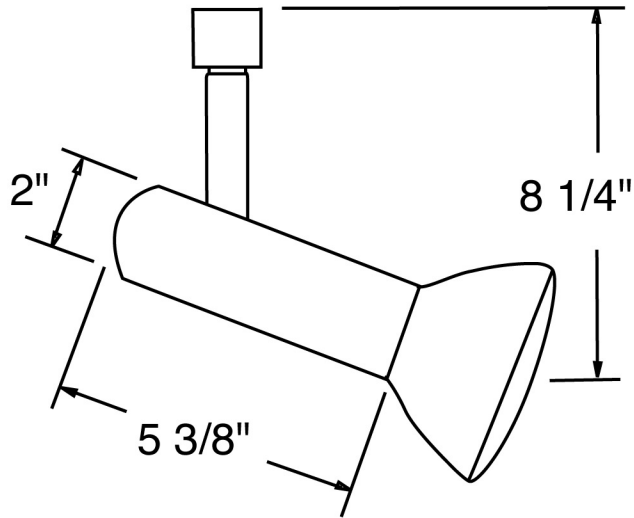
PROJECT INFORMATION:

Project Name: _____

Fixture Type: _____

Date: _____

DIMENSIONS



PRODUCT SPECIFICATIONS

All track heads except HID have adjustable track adapter to allow for use with single circuit and double circuit tracks.

- Universal
- Stem Mount
- Metal Housing
- 90 degree vertical movement of 358 degree rotation

Lamp: 120V R or PAR Lamp up to 150W

Dimensions: Length: 5 3/8"
Diameter: 2"
Max. Extension: 8 1/4"

Finish: (B) Black, (W) White

Labels: U.L. or E.T.L. listed

LAMP NOT INCLUDED

CATALOG NUMBER

Example: ET641B (Black)
ET641W (White)