

ETLD530B ETLD530W

Gimbal Ring



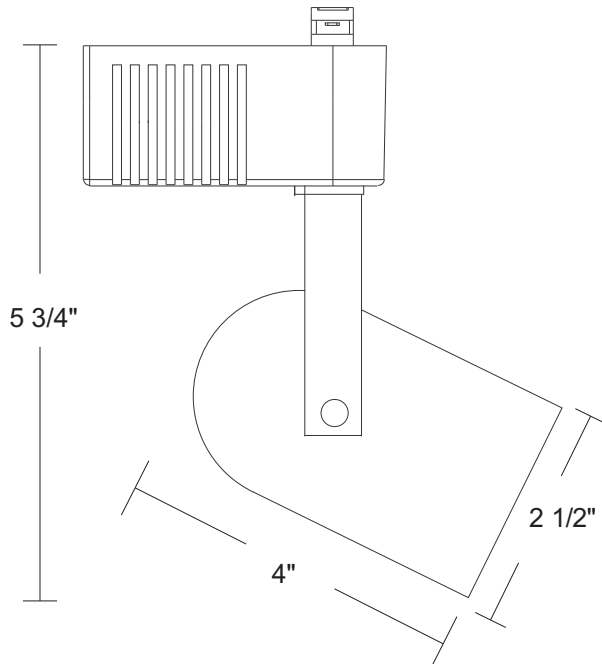
PROJECT INFORMATION:

Project Name: _____

Fixture Type: _____

Date: _____

DIMENSIONS



PRODUCT SPECIFICATIONS

All track heads except HID have adjustable track adapter to allow for use with single circuit and double circuit tracks

- Gimbal Ring
- Metal housing.
- 90° vertical adjustment
358° rotation
- Use with ELCO 120V Single or Double Circuit Track or 120V Monopoints

Lamp: 3W-50W Max, 120V, MR16 GU/GX5.3, LED/Halogen (not included, by others)

Lamp Holder: MR16 GU/GX5.3 socket included

Transformer/Driver: 120V/12V/3W-50W Electronic AC, dimmable, reverse phase

Finish: (B) Black, (W) White

Labels: U.L. listed

CATALOG NUMBER

Example: ETLD530B (Black)
ETLD530W (White)