

# ETLD534B ETLD534N ETLD534W

Clasp



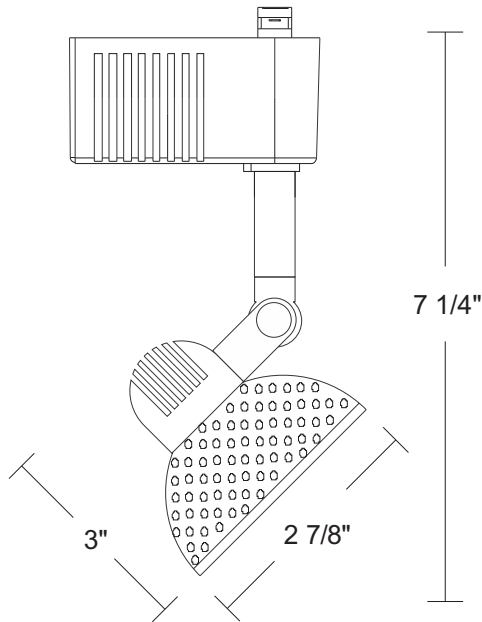
## PROJECT INFORMATION:

Project Name: \_\_\_\_\_

Fixture Type: \_\_\_\_\_

Date: \_\_\_\_\_

## DIMENSIONS



## PRODUCT SPECIFICATIONS

All track heads except HID have adjustable track adapter to allow for use with single circuit and double circuit tracks

- Gimbal Ring
- Metal housing.
- 90° vertical adjustment  
358° rotation
- Use with ELCO 120V Single or Double Circuit Track or 120V Monopoints

**Lamp:** 3W-50W Max, 120V, MR16 GU/GX5.3, LED/Halogen (not included, by others)

**Lamp Holder:** MR16 GU/GX5.3 socket included

**Transformer/Driver:** 120V/12V/3W-50W Electronic AC, dimmable, reverse phase

**Finish:** (B) Black, (W) White

**Labels:** U.L. listed

## CATALOG NUMBER

**Example:** ETLD534B (Black)  
ETLD54NN (Brushed Nickel)  
ETLD534W (White)