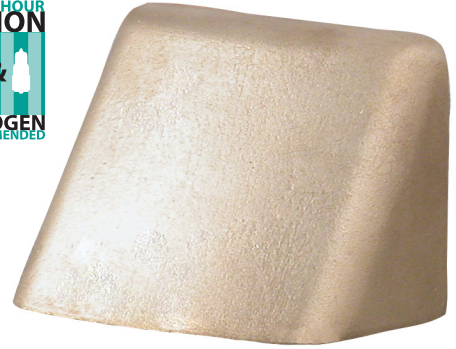




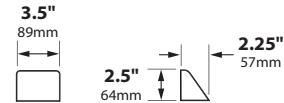
# SURFACE STEP FIXTURES SL-18-SERIES

## SPECIFICATIONS

**CONSTRUCTION-SL-18:** Cast aluminum; **SL-18-BRS:** Cast brass  
**LAMP:** 18 watt S-8 #1141; 1200 hours average (25 watt max.)  
**SOCKET:** Single contact bayonet; (Ba15s) brass nickel plated screw shell and spring; ceramic contact with 200° silicone lead wires  
**SOCKET:** (120v.) Double contact bayonet base (Ba15d) with 200° C silicone lead wire  
**WIRING:** Black 5 foot 18/2 zip cord (12v. only)  
**WIRING:** (120v.) Standard Black, White and Ground, 18 gauge  
**CONNECTION:** FA-05 Quick Connector (not supplied) from fixture to main cable (12/2, 10/2 or 8/2 only)  
**FINISH-SL-18:** Black texture polyester powder coat; **SL-18-BRS:** Unfinished brass—optional finishes available



**SL-18-BRS**

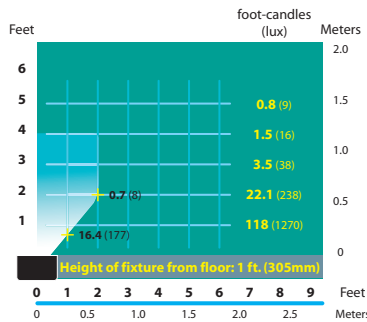


**SL-18**

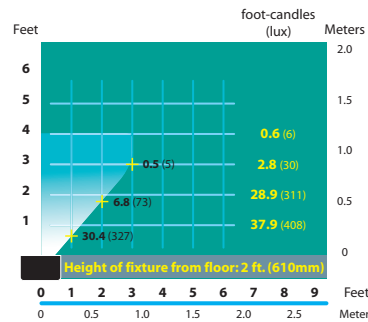
## ORDERING INFORMATION

CATALOG NO.	DESCRIPTION	MATERIAL
SL-18	Surface Step Deck Light	Aluminum
SL-18-BRS	Surface Step Deck Light	Brass

## LIGHT DISTRIBUTIONS AND PHOTOMETRICS



**SL-18** Half Spread Photometrics



**SL-18** Half Spread Photometrics



### JOB INFORMATION

Type: \_\_\_\_\_ Date: \_\_\_\_\_

Job Name: \_\_\_\_\_

Cat. No.: \_\_\_\_\_

Lamp(s): \_\_\_\_\_

Specifier: \_\_\_\_\_

Contractor: \_\_\_\_\_

Notes: \_\_\_\_\_

**12v. fixtures:** 25 foot 16/2 fixture lead wire available; add **-25F** to catalog number.  
 For use with Focus CPC or hub supplied by others.

**FOCUS INDUSTRIES INC.**  
 25301 COMMERCENTRE DRIVE  
 LAKE FOREST, CA 92630  
 www.focusindustries.com  
 sales@focusindustries.com  
 (949) 830-1350 • FAX (949) 830-3390

FSA-00

Powder Coat Finishes	Black Texture (Standard)	Antique Verde	Bronze Texture	Camel	White Texture	Hunter Texture	Rust	Weathered Iron	Weathered Brown	Stucco	Rubbed Verde	Chrome Powder	Terra Cotta
Ordering Code	<b>-BLT</b>	<b>-ATV</b>	<b>-BRT</b>	<b>-CAM</b>	<b>-WTX</b>	<b>-HTX</b>	<b>-RST</b>	<b>-WIR</b>	<b>-WBR</b>	<b>-STU</b>	<b>-RBV</b>	<b>-CPR</b>	<b>-TRC</b>



**FOCUS™**  
INDUSTRIES

## INSTALLATION INSTRUCTONS SL-18 OPEN END SURFACE STEP LIGHT (12v)

Inspected by

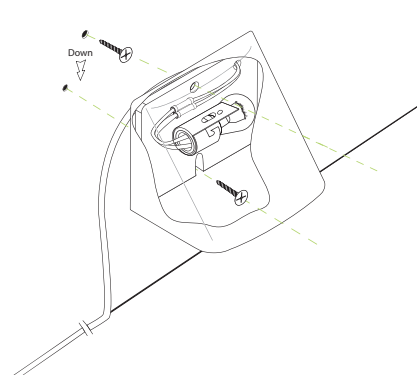
1. Loosen side screws on cover and remove cover from base.
2. Using back plate as a guide, keeping mind the up arrow pointing up. Screw face plate on to surface using screws provided.
3. Replace cover plate and tighten side screws. Wire to 12v power source and check for proper installation.

**NOTE:** Wire can be run down the bottom of fixture and attached to surface using staples or a hole can be drilled to put wire through the back of surface to hide wiring.

### LAMP INSTALLATION/REPLACEMENT

**CAUTION: Do not exceed maximum wattage marked on fixture label.**

1. Turn off power to fixture.
2. Loosen on side side of cap and remove cap.
3. Push lamp into socket while turning counter clockwise to remove lamp.
4. Re-install cover and tighten side screws.
5. Turn on power to check for proper operation.



**NOTE: Must be installed by a licensed electrician per local codes  
For Questions Call 1-888-882-1350**