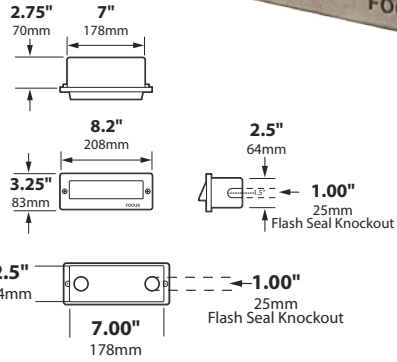




COMMERCIAL STEP LIGHT SL-31-SERIES



SL-31-BRS



SL-31

Flash Seal Knockouts are for 1/2" to 3/4" conduit fittings
Same on end feed



SPECIFICATIONS

- FACE PLATE:** Cast brass (-BRS) or cast aluminum
BACK BOX HOUSING: White powder coated cast aluminum
 -BRS models have unfinished cast brass housing
GASKET: Black neosponge 0.190" thick closed cell
REFLECTOR: Highly polished specular aluminum
LAMP (incandescent models): 2 x 18 watt, S-8 #1141 (50 watt max.)
(T10 models): None supplied; rated for 40 watt T10
(FL models): 5, 7, 9 compact fluorescent, 41°K
SOCKET (incandescent models): Single contact bayonet; brass nickel plated Ba15s with 200° C silicone lead wires
(T10 models): High temperature ceramic medium base with 200° C silicone lead wires
(FL models): G23 bi-pin for 5, 7 or 9 watt, with type-1 outdoor magnetic clamped core ballast
LAMP LIFE: 1200 hours average rating for S-8 #1141, 10,000 hours average rating for compact fluorescent
WIRING: Black 3 foot 18/2 zip cord for 12v. Standard black, white, and ground, 18 gauge for 120v.
CONNECTION: FA-05 Quick Connector (not supplied) from fixture to main cable (12/2, 10/2 or 8/2 only) 12v. only
FINISH: Optional finishes available

ORDERING INFORMATION

CATALOG NO.	FACE PLATE ONLY	DESCRIPTION	LENS MATERIAL	FACE PLATE STANDARD FINISH
INCANDESCENT				
2 x 18 watt S-8 #1141, 50 watt maximum				
SL-31	FA-141	Cast aluminum louvered step light	White glass	Black texture
SL-31-BRS	FA-141-BRS	Cast brass louvered step light	White glass	Solid brass
MR16 LAMPS				
20 watt MR16 FL (BAB), 50 watt maximum				
SL-31-MR16	FA-141-MR16	Cast aluminum louvered step light	Linear spread glass	Black texture
SL-31-MR16-BRS	FA-141-MR16-BRS	Cast brass louvered step light	Linear spread glass	Solid brass
T10 LAMPS				
Medium base 20 through 40 watt T10, 40 watt maximum, fixture supplied without lamp.				
SL-31-T10-NL	FA-141	Cast aluminum 1 louver step light	White glass	Black texture
SL-31-T10-NL-BRS	FA-141-BRS	Cast brass 1 louver step light	White glass	Solid brass
120 VOLT COMPACT FLUORESCENTS				
5, 7, or 9 watt compact fluorescents, please specify at time of order.				
SL-31-FL-5, 7, 9	FA-141	Cast aluminum 1 louver step light	White glass	Black texture
SL-31-FL-5, 7, 9-BRS	FA-141	Cast brass 1 louver step light	White glass	Solid brass

ACCESSORIES

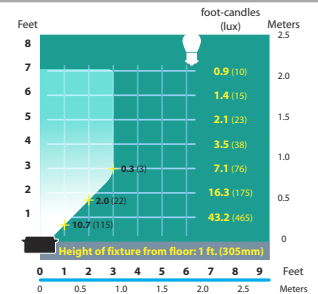
CATALOG NO.	DESCRIPTION	LAMP AND VOLTAGE
FA-65	Cast aluminum box with lamp and socket	18w SC (12v.)
FA-60	Cast aluminum box with lamp and socket	2 x 18w SC (12v.)
FA-60-H	Cast aluminum box with lamp and socket	2 x 20w halogen (12v.)
FA-60-FL	Cast aluminum box with lamp and socket	5, 7, or 9w comp. fluor. (specify wattage) (120v.)
FA-60-MR16	Cast aluminum box with lamp and socket	20w MR16 FL (BAB) (12v.)
FA-60-X	Cast aluminum box with lamp and socket	2 x 20w Xenon (12v.)
FA-60-T7	Cast aluminum box with lamp and socket	2 x 15w T7 (120v.)
FA-60-T8	Cast aluminum box with lamp and socket	2 x 25w T8 (120v.)
FA-60-T10	Cast aluminum box with medium base socket	(T10, 120v. option)
FA-60-BRS	Cast brass box with lamp and socket	2 x 18w SC (12v.)
FA-60-BRS-H	Cast brass box with lamp and socket	2 x 20w halogen (12v.)
FA-60-BRS-FL	Cast brass box with lamp and socket	5, 7, or 9w comp. fluor. (specify wattage) (120v.)
FA-60-BRS-MR16	Cast brass box with lamp and socket	20w MR16 FL (BAB) (12v.)
FA-60-BRS-X	Cast brass box with lamp and socket	2 x 20w Xenon (12v.)
FA-60-BRS-T7	Cast brass box with lamp and socket	2 x 15w T7 (120v.)
FA-60-BRS-T8	Cast brass box with lamp and socket	2 x 25w T8 (120v.)
FA-60-BRS-T10	Cast brass box with medium base socket	(T10, 120v. option)

12v. fixtures: 25 foot 16/2 fixture lead wire available; add -25F to catalog number.
For use with Focus CPC or hub supplied by others.

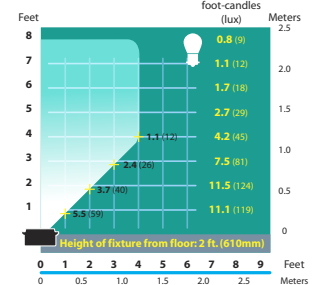
FSA-00

Powder Coat Finishes	Black Texture (Standard)	Antique Verde	Bronze Texture	Camel	White Texture	Hunter Texture	Rust	Weathered Iron	Weathered Brown	Stucco	Rubbed Verde	Chrome Powder	Terra Cotta
Ordering Code	-BLT	-ATV	-BRT	-CAM	-WTX	-HTX	-RST	-WIR	-WBR	-STU	-RBV	-CPR	-TRC

LIGHTING DISTRIBUTIONS AND PHOTOMETRICS



SL-31 Half Spread Photometrics



SL-31 Half Spread Photometrics

JOB INFORMATION

Type: _____ Date: _____
 Job Name: _____
 Cat. No.: _____
 Lamp(s): _____
 Specifier: _____
 Contractor: _____
 Notes: _____

FOCUS INDUSTRIES INC.
25301 COMMERCENTRE DRIVE
LAKE FOREST, CA 92630
 www.focusindustries.com
sales@focusindustries.com
(949) 830-1350 • FAX (949) 830-3390



FOCUS™
INDUSTRIES

INSTALLATION INSTRUCTONS
FOR SL-02, SL-04, SL-08, SL-17, SL-30 & SL-31
STEP AND BRICK LIGHT FIXTURES

Inspected by

1. Make sure light bulbs do not make contact with front lens plate.
2. Push back reflector, socket and lamp assembly from front lens as far back into housing.
3. If light bulbs are making contact with lens or are extremely close to it, lens will deform or melt.
4. All 12v models include one 3' 18/2 wire. 120v models only include socket wires and a ground wire.

NOTE: Must be installed by a licensed electrician per local codes
For Questions Call 1-888-882-1350