

## DESCRIPTION

Adjustable square gimbal trim designed for use with IC or Non-IC AIR-TITE™ 3" Halo small aperture line and low voltage housings. Trim is available in five finish styles to match interior decor. Trim uses low voltage MR16 or GU10 line voltage lamps ideal for accent and task lighting. Trim offers 35° positive tilt, 15° negative tilt and 360° rotation.

Catalog #		Type
Project		
Comments		Date
Prepared by		

## DESIGN FEATURES

Cast aluminum trim available in Matte White, Black, Satin Nickel, Antique Copper or Tuscan Bronze finishes. Three pressure springs ensure positive retention in housing.

Trim includes cover glass lens which may be replaced with a variety of media. (Lamps that have integral glass lens do not require use of the cover glass supplied with this trim).

3013 is designed for use with the following H3 housings;

- Line Voltage Housing (for 120V GU10 lamps). For nominal 2 x 6 or larger construction.
  - H36ICAT 50W IC Air-Tite Housing
  - H36TAT 50W Non-IC Airtite Housing
  - H36RTAT 50W Non-IC Air-Tite Remodel Housing
- Low Voltage Housing (for 12V MR16 lamps). For nominal 2 x 6 or larger construction.
  - H36LVICAT 50W IC Air-Tite Housing
  - H36LVTAT 50W Non-IC Air-Tite Housing
  - H36LVRTAT 50W Non-IC Air-Tite Remodel Housing
- Line Voltage Housing (for 120V GU10 lamps). For nominal 2 x 8 or larger construction.
  - H38ICAT 50W IC Air-Tite Housing
- Low Voltage Housing (for 12V MR16 lamps). For nominal 2 x 8 or larger construction.
  - H38LVICAT 37W IC Air-Tite Housing



**3013WH**  
White

**3013BK**  
Black

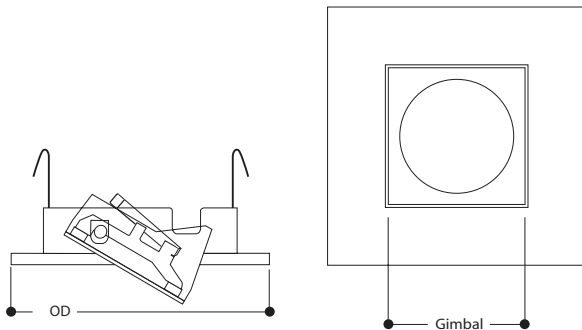
**3013SN**  
Satin Nickel

**3013AC**  
Antique Copper

**3013TBZ**  
Tuscan Bronze

**3013**  
**3" Adjustable Gimbal**  
**Square Trim**

**3" TRIMS**



### Trim

**3013**

**3013=3" Adjustable Gimbal**  
**Square Trim**

### Finish

**WH=White**  
**BK=Black**  
**SN=Satin Nickel**  
**AC=Antique Copper**  
**TBZ=Tuscan Bronze**

Note: Specifications and Dimensions subject to change without notice.  
Visit our web site at [www.cooperlighting.com](http://www.cooperlighting.com)