

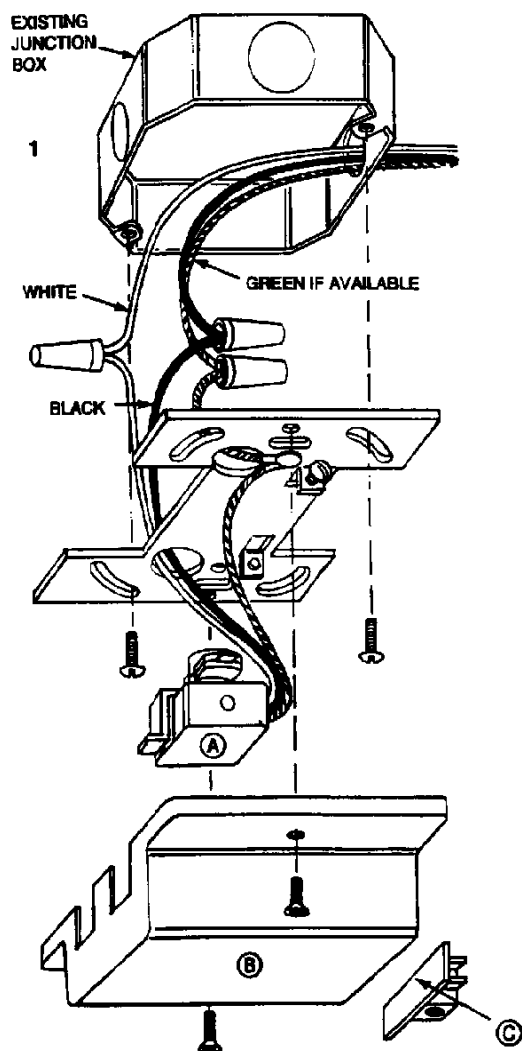
## INSTALLATION INSTRUCTIONS FOR L-909 FLOATING CANOPY VD CONNECTOR

For use with L-650 Series Track system ONLY. Electrical Ratings: 120V, 60HZ, 20A

Unit consists of mounting bracket, connector, canopy cover with 2 screws, and dead-end connector.

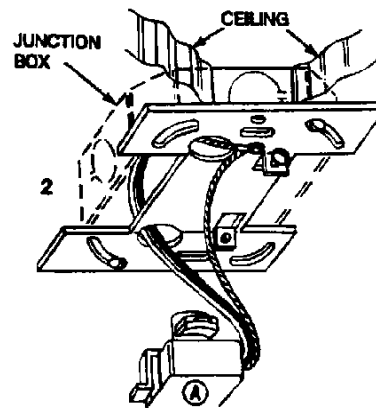
### Step 1:

Locate junction box in ceiling or on wall containing two wires, a black (Hot +) and a white (Neutral -), MAKE SURE TO SPLICE WHITE TO WHITE, AND BLACK TO BLACK. Note: Connect the green ground wire to the green ground screw or the green wire in the junction box.



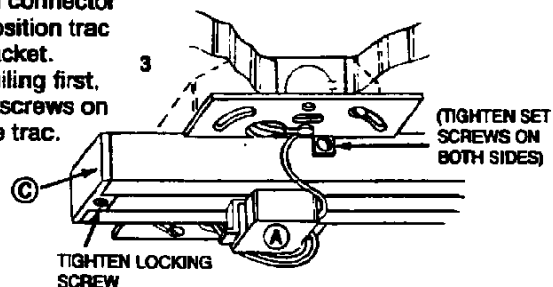
### Step 2:

After wires are connected, push wires into junction box and attach mounting bracket to junction box.



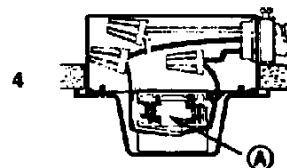
### Step 3:

Attach dead end connector (C) to trac and position trac on mounting bracket. Attach trac to ceiling first, then tighten set screws on either side of the trac.



### Step 4:

Twist adapter (A) 90° make sure that the two contact fingers turn into the two slots (bussbar.)



### Step 5:

Place canopy cover (B) over connector and trac and attach with two screws.

