

MODEL T104-20

DOUBLE POLE
SINGLE THROW



ELECTRIC WATER HEATER TIME SWITCH

MAX. CAPACITY: 10,000 WATTS (40 AMP.) -250 VOLT A.C.

(TO ORDER CLOCK MOTOR REPLACEMENT, SPECIFY PART No. WG--ON MOTOR COVER)

This Time Switch will repeat a preset schedule daily. The diagram on the right shows the mechanism and typical wiring. To make power connections see illustration below. Use 3/16 or larger screwdriver to tighten screws firmly. **REPLACE FRONT INSULATOR BEFORE TURNING ON ELECTRICITY.** THE **CLOCK DIAL** turns in clockwise direction once a day and has a 24 hour face.

THE **TIME POINTER** is used to line up the correct time-of-day on the dial. THE **TRIPPERS** attached to dial turn the water heater ON and OFF at times indicated by their respective position on the dial.

THE **MANUAL LEVER** permits the user to turn the water heater ON and OFF. **NOTE:** The Manual Lever is inoperative for 15 minutes immediately after an automatic operation.

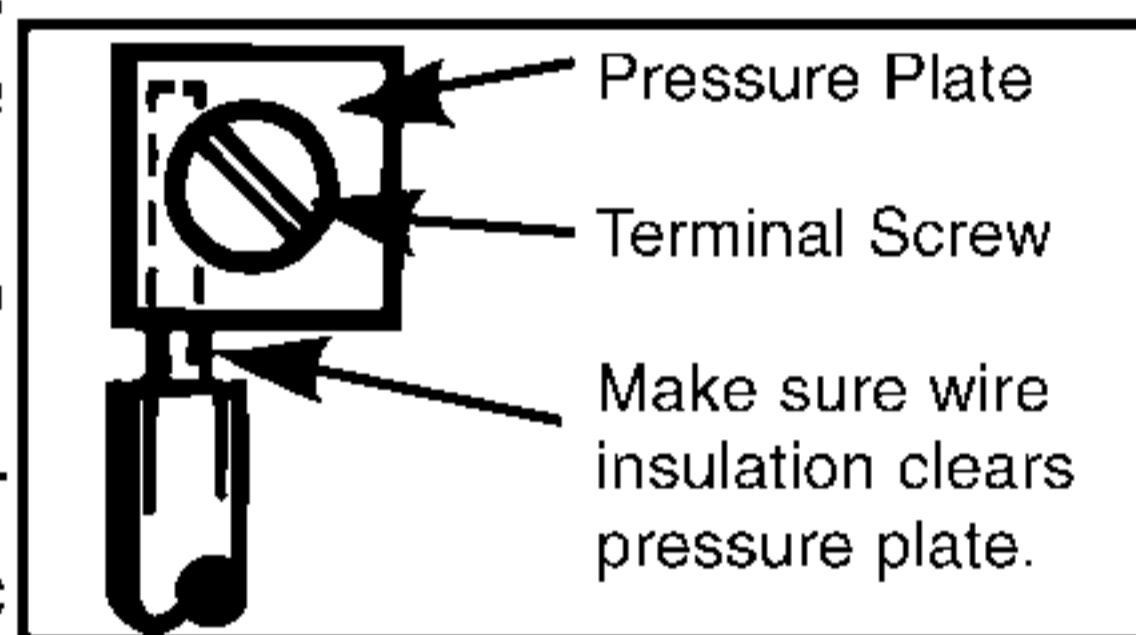
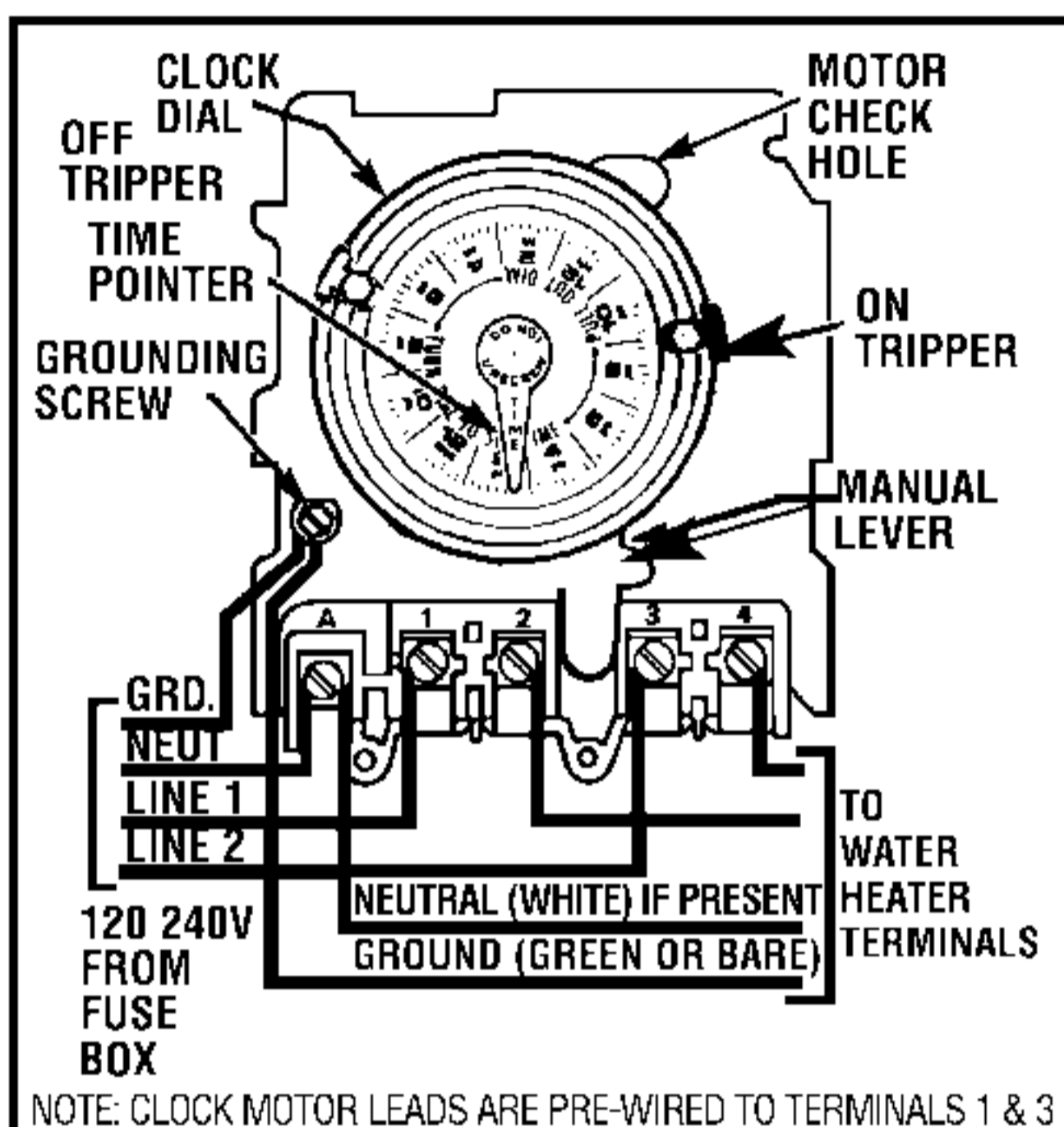
TO SET PROGRAM... *First*, mount silver finished (ON) tripper(s) at time(s) you wish water heater to start operating. Place gold (OFF) tripper(s) at time(s) you want to turn water heater OFF. Fasten trippers to dial by pushing them against the edge of the clock dial, then turning screws tight with fingers.

Second, pull clock dial out (toward you) and turn in either direction until correct time-of-day (the time now, when switch is being put into operation) is directly under the time pointer. **DO NOT MOVE POINTER.**

Third, close Time Switch cover. Make sure it is latched and locked, if needed.

AFTER POWER FAILURE (or if water heater was disconnected at the main panel), you must reset clock dial to the proper time-of-day. **TO SUSPEND AUTOMATIC OPERATION** - Remove trippers from dial. Set manual lever as desired.

CAUTION: *Always disconnect power at main panel before servicing this Switch or the water heater.*



INTERMATIC INCORPORATED
SPRING GROVE, ILLINOIS 60081-9698