

LET-210-12V/240V R

SPECIFICATIONS

Standards/Approvals

VDE and VDE-EMV approved
Transformer meets CE standards

Available Version

901211240-Standard Version

Mechanical and Thermal

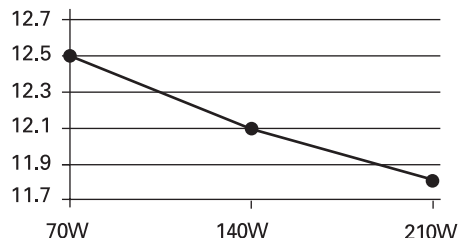
Dimensions (mm) 29.4 x 60.8 x 123
 Weight 450 grams
 Lead wire length 20cm
 Tc Max 85°C
 Ta Max 50°C
 Input wire – Blue, Brown
 FEP/FEP 0.75mm² 300/500V 180°C
 Output wire – 12AWG 300V 200°C
 PC plastic casing
 Removable mounting ears



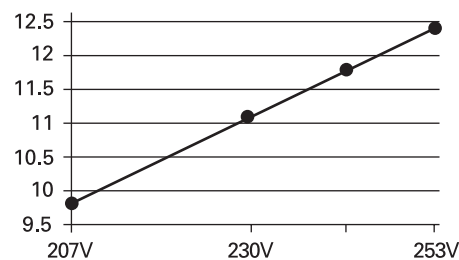
Electrical

Maximum load 210W
 Minimum load with dimmer 70W
 Input 240V 50/60Hz
 Output at Max. load 11.8V 36kHz
 Input current at Max. load 0.9A
 Output current at Max. load 17.5A
 Power factor Min. 0.98
 Dimmability Leading/Trailing Edge
 EMC (RFI) EN 55015
 Harmonics EN 61000
 Immunity EN 61547/61047
 Safety EN 61347-2-2
 SELV

Output Voltage vs. Load at 240V

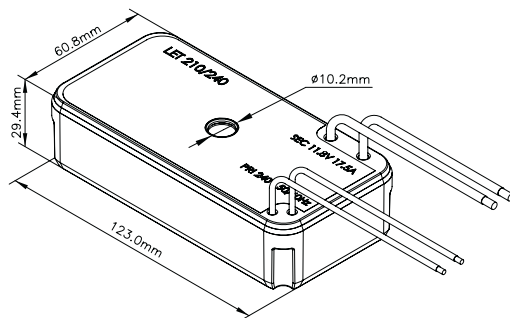


Output vs. Input at Max. Load



Short Circuit and Thermal Protection

Electronic internal universal resettable short circuit protection. Auto-Reset thermal cut-off @ 125C.



See reverse side for more information →

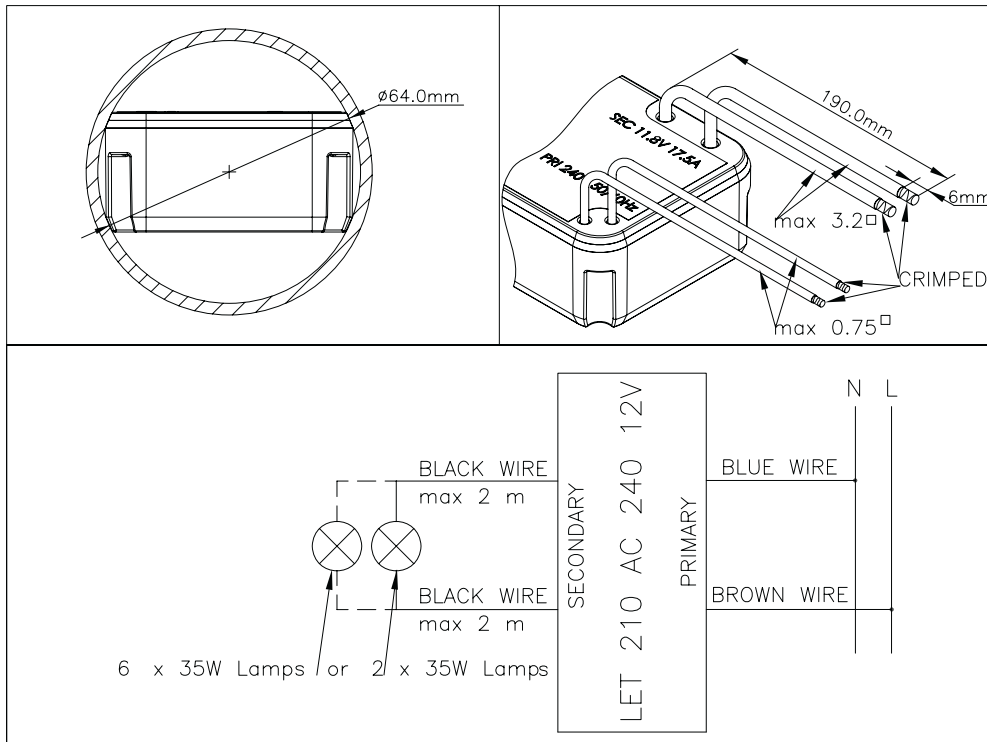


WWW.LIGHTTECHINC.COM

www.lighttechinc.com

LET-210-12V/240V R

Mounting Instructions



Safety Instructions:

1. Please note national installation regulations.
2. The measurement of secondary voltage can only be done with suitable measuring instruments.
3. Wires diameter: Primary – 0.75mm^2
Secondary – 3.2mm^2 .