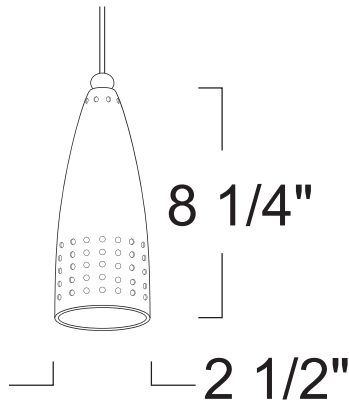




Type	:
Project	:
Catalog #	:

LT1012 - IGNITO

LOW VOLTAGE DROP TRACK



LOW VOLTAGE DROP TRACK

SPECIFICATION

12V 50W MR16 GU5.3

Connector: Comes standard with 3-Wire H-Type thermo-plastic track connections. Fixture is factory preset for installation on single-circuit track. Contacts may be easily adjusted to install on two-circuit track via pull-up tab. J-Type and L-Type connections are available with extended lead times - consult factory.

Socket: 2-pin porcelain socket with aluminum heat sink plate. Lamp clips to trim to ensure proper and consistent positioning.



Shade Glass: Metal shade in standard Available in Chrome and Natural Metal. Cord in standard white, black or metal.

Wire Length: Available in 12", 24", 36", 48", 60" and 72".

Cable Color: Available in White, Black and Metallic Cable.

Labels: U.L. Listed.

COMPATIBILITY

	
LP	LPC
1CCT TRACK CHANNEL	2CCT TRACK CHANNEL

Note: Electrical limitations on compatible items must be met.

ORDERING

ORDERING EXAMPLE : LT1012N-12W

LT1012	SHADE GLASS	WIRE LENGTH	CABLE COLOR
LT1012	C :Chrome	-12 :12"	W :White
	N :Natural Metal	-24 :24"	B :Black
		-36 :36"	MC :Metallic Cable
		-48 :48"	
		-60 :60"	
		-72 :72"	