

## LT128 - CONE LOW VOLTAGE DROP TRACK

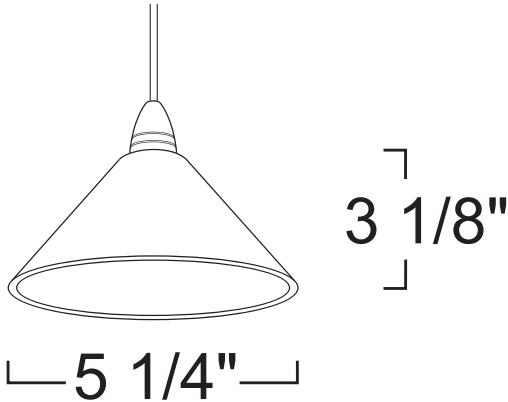


### PROJECT INFORMATION

Type :

Project :

Catalog # :



### FEATURE(S):



### SPECIFICATION

12V 50W MR16 GU5.3

**Application:** Pendant fixtures are ideal for general and task lighting over bars, counters, and tables, where a downward light is needed. These unique miniature shades blend perfectly into contemporary surroundings to provide that high-tech sophisticated look.

These pendants come hardwired for connection to standard 1-circuit or 2-circuit track. For other mounting options see our InterJack section.

**Connector:** Comes standard with 3-Wire H-Type thermo-plastic track connections. Fixture is factory preset for installation on single-circuit track. Contacts may be easily adjusted to install on two-circuit track via pull-up tab. J-Type and L-Type connections are available with extended lead times - consult factory.

**Shade Glass:** Fixture in Standard Available in Blue, Green and Yellow. Cord in standard white, black or metal.

**Wire Length:** Available in 12", 24", 36", 48", 60" and 72".

**Cable Color:** Available in White, Black and Metallic Cable.

**Labels:** U.L. Listed.

### COMPATIBILITY



LP

1CCT TRACK CHANNEL



LPC

2CCT TRACK CHANNEL

Note: Electrical limitations on compatible items must be met.

### ORDERING

ORDERING EXAMPLE : LT128-BL-12W

| LT128 | SHADE GLASS | WIRE LENGTH | CABLE COLOR        |
|-------|-------------|-------------|--------------------|
| LT128 | -BL :Blue   | -12:12"     | W :White           |
|       | -GR :Green  | -24:24"     | B :Black           |
|       | -YL :Yellow | -36:36"     | MC: Metallic Cable |
|       |             | -48:48"     |                    |
|       |             | -60:60"     |                    |
|       |             | -72:72"     |                    |