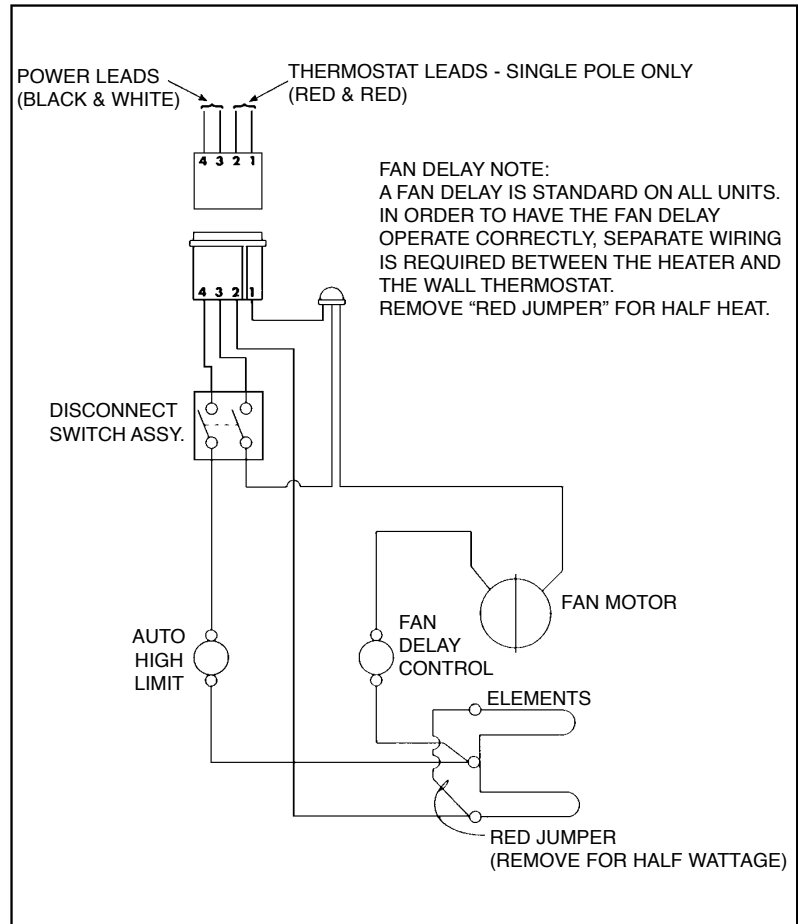
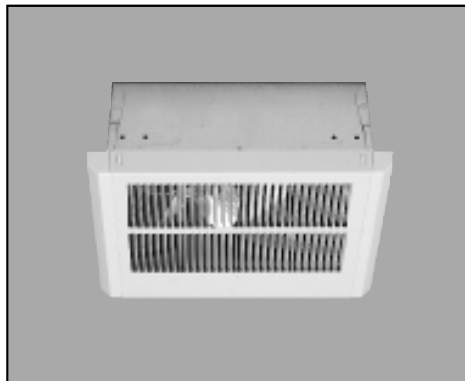




TYPE QCH CEILING MOUNTED FAN FORCED HEATERS

- QCH type fan forced mounted heaters are designed for dens, basements, converted attics, breeze ways, garages, bathrooms, small offices, workshops and similar areas. Also adaptable to multiple installations in somewhat larger or odd shaped rooms.
- Models from 500 to 2000 watts (1706 to 6826 BTU/hr.) provide outstanding performance.
- The basic unit is designed for recessed installation, but is easily adapted for surface mounting with the use of the optional surface mounting frame.
- Rugged steel fins are copper-brazed to the low watt density, steel sheathed, tubular heating elements which are arranged in a uniform pattern.
- Room temperature is controlled by a remote wall thermostat which must be purchased separately.
- A thermal cutout shuts off the heater in the event of overheating.
- UL Listed, File #E21609.



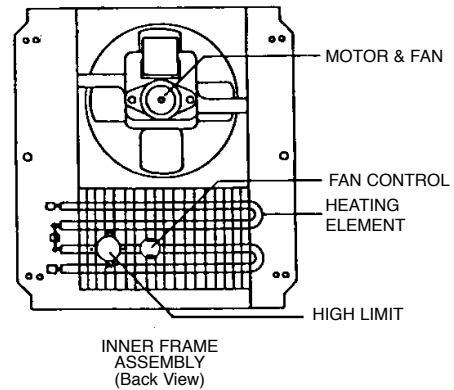
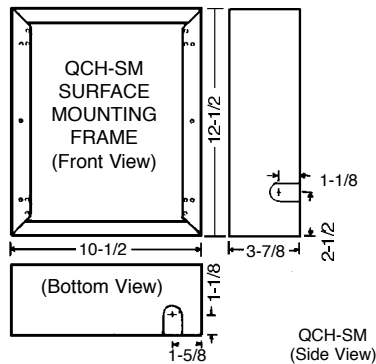
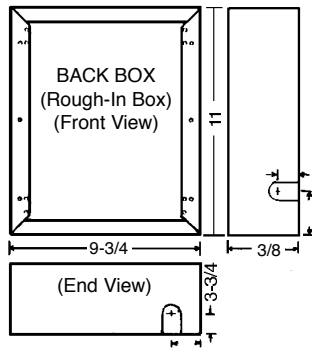
CATALOG NO.	VOLTS	WATTS*	BTU/HR	AMPS
QCH-1101	120	1000/500	3413	8.3
QCH-1151	120	1500/750	5120	12.5
QCH-1202	240/208	2000/1500	6826/5119	8.4/7.2
QCH-1207	277/240	2000/1500	6826/5119	7.2/6.3

*Factory wired for full wattage, field convertible to half wattage.

ACCESSORIES

CATALOG NO.	DESCRIPTION
QCH-SM	Surface mounting sleeve
QCHS1	1" Semi-recessed frame
QCHS2	2" Semi-recessed frame
QCHTBF	T-bar frame kit

DIMENSIONS



ARCHITECT'S & ENGINEER'S SPECIFICATIONS*

The heating equipment shall include a ceiling mounted QCH electric automatic fan forced heater suitable for large area heating as manufactured by QMark, a Marley Engineered Products Brand, Bennettsville, SC. The heater shall be designed for ceiling surface or recessed mounting. Heaters shall be UL Listed.

HEATER ASSEMBLY: The heater assembly, which fits in the back box, shall consist of a fan panel upon which is mounted all of the operational parts of the heater.

HEATING ELEMENT: The heating element shall be of the non-glowing design consisting of 80/20 NiCh resistance wire enclosed in a steel sheath to which plate fins are copper-brazed. It shall be warranted for 5 years.

FAN MOTOR: The fan motor shall be totally enclosed and permanently lubricated.

FAN DELAY SWITCH: Fan control shall be of bi-metallic, snap-action type and shall activate fan after heating element reaches operating temperature. The fan shall continue to operate after the temperature is satisfied and until the heating element is cool.

THERMAL CUTOUT: A thermal cutout shall be built into the system to shut off the heater in the event of overheating.

DISCONNECT SWITCH: A double-pole single throw disconnect switch shall be factory installed for positive disconnect of power supply. It will be completely concealed behind the faceplate.

BACK BOX: The back box shall be designed for duty as a recessed rough-in box in either masonry or frame installations and is also used with the surface mounting frame in surface mounting installations. The back box shall be 20-gauge galvanized steel and

shall contain knockouts through which power leads are brought.

FACEPLATE: The louvered faceplate shall be of commercial grade steel finished in Navajo White baked enamel. It will attach to the heating unit via snaps in the plastic trim pieces and shall have no exposed screw heads.

THREE-PIECE DESIGN: The heater shall be made up of a back box, a heater assembly and a faceplate.

SURFACE MOUNTING FRAME: The surface mounting frame, designed to allow full surface mounting, shall be commercial grade cold-rolled steel, phosphatized, then electrostatically painted Navajo White by a baked enamel process.

*QMark reserves the right to change specifications without prior notice.

Distributed By:



470 Beauty Spot Road East
Bennettsville, SC 29512