

SPECIFICATION SHEET

DTWH40 cUL[®]us AUTOMATIC VOLTAGE DETECTION 7 DAY TIME SWITCH AND WATER HEATER TIMER

APPLICATIONS

- Water Heaters.
- This timer turns OFF when rates are high and turns OFF when no one is home.

FEATURES

SCHEDULING:

7 ON & OFF pairs of set points for individual programs on each day of the week. Minimum setting is 1 minute.

DAYLIGHT SAVING:

Manual button push for one hour adjustment.

MANUAL OVERRIDE:

Until the next regularly scheduled ON or OFF, automatic operation then resumes.

EXTERNAL MANUAL OVERRIDE:

DTWH40 only on clear door. Override without opening case.

RANDOM MODE:

Varies ON and OFF times to create "lived-in" look when away.

CLOCK FORMAT:

AM/PM.

POWER OUTAGE BACKUP:

Battery retains time and schedule.

SPECIFICATIONS

INPUT VOLTAGE:

120/240VAC 50/60Hz (auto detection).

TERMINAL RANGE: #8 - #18AWG.

OPERATING TEMPERATURE:

-31 °F to 116 °F (-35 °C to 47 °C).

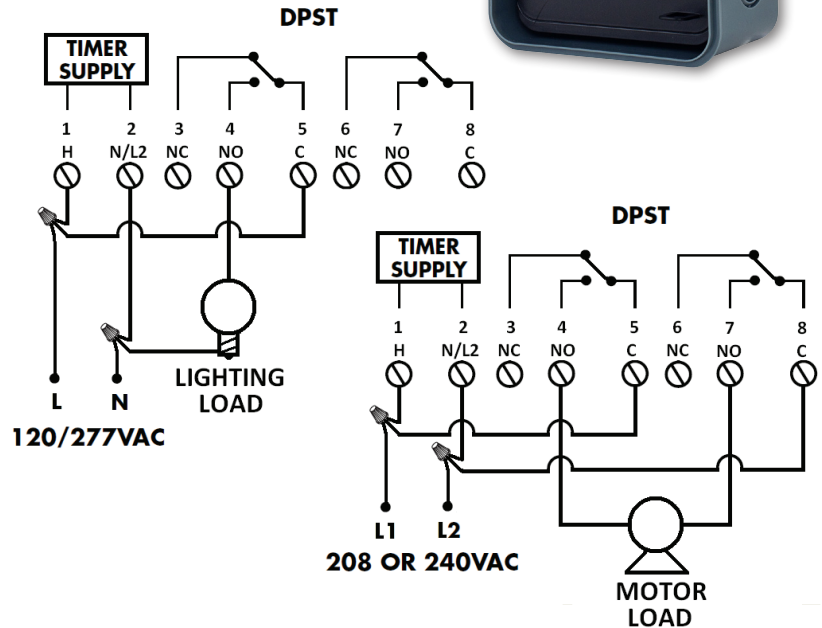
POWER CONSUMPTION: 6VA Max.

ENCLOSURE:

DTU40 polycarbonate Indoor/Outdoor NEMA 3R. DTWH40 polycarbonate indoor NEMA 1 enclosure with clear cover. Both with lockable hasp.



WIRE DIAGRAM



ORDERING INFO

CAT. NO.	UPC CODE	TIMER SUPPLY (VAC) 50/60Hz	NO. OF CHANNELS	DRY CONTACTS (UNPOWERED)
DTWH40	24005	120/240	1	DPDT

CONTACT RATINGS

TYPE	VOLTAGE (VAC)	RATING	
		NO	NC
Resistive	120-277	40A	30A
Inductive	120-277	30A	15A
Ballast	120	30A	10A
	277	20A	10A
Tungsten	120	15A	—
Motor	120	1HP/30FLA/90LRA	1/4HP/12FLA/30LRA
	240	2HP/20FLA/60LRA	1/2HP/12FLA/33LRA
Pilot duty	120	720VA	290VA
	240	720VA	260VA
Resistive	28VDC	20A	—
Max above 104°F	120-277	30A	—