

SPECIFICATION SHEET

PRODUCT # : CL-114B-GM

•Down Lights

•Cast Brass

Fixture Specifications:

Housing & Shroud: Corrosion Resistant Cast Brass.

Finish: **GM- Gun Metal.** Natural toning process. GM finish will vary due to artistic process. Also available in **AB**, and **RC** finishes

Lens: Clear and heat resistant convex glass.

Socket: Top grade loose bi-pin socket, with spring loaded design.

Lamp: 12V, MR-16 halogen 35W max. L-BAB-C20 (20w) standard. LED lamps are also available. See lamp guide, below for more information.

Wiring: Fixture is prewired with a 3-ft 18-2 SPT2-W direct burial cord. Wire connector available separately. Universal connector (**CX-839**) or silicone filled wire nut (**CX-854**) may be ordered to Corona Lighting.

Gasket: Silicone double gasketed for water tight sealing.

Knuckle: Adjustable cast brass knuckle with thumb screw

Mounting: Brass Bracket with 1/2" NPT threaded female hub. CX-709B Brass Canopy mounting is also available.

Electrical Notes: A remote 12V transformer required, may be ordered to Corona Lighting separately. Voltage range for 12V halogen lamps are 11V-12.5V Voltage range for LED Lamps are 9V-17V Proper grease/lubricant is suggested on threaded parts during installation process.

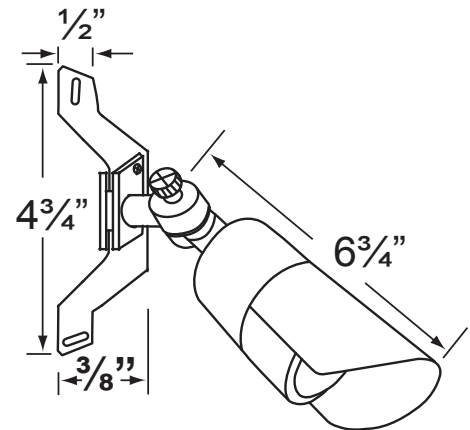
Warranty: Limited lifetime warranty on fixture housing against manufacturer's defects.



Shown with CX-709B-GM mount. Standard Mounting bracket is CX-719B-GM (Not pictured)



3.5W and 5W



ACCESSORY



Mounting Bracket

CX-719B-GM
GM- Gun Metal

Fixtures comes with with CX-719B-GM.

CX-709B-GM also available

AVAILABLE LED LAMPS (Corona LED lamps have a five (5) year limited warranty against manufacturer's defects)

LAMP NUMBER	WATTS	SPREAD	LUMEN	TEMP.
L-ED16-COB5W-SP	5	15° Spot	450	2700K
L-ED16-COB5W-FL	5	38° Flood	450	2700K
L-ED16-COB5W-WF	5	60° Wide Flood	450	2700K
L-ED16-COB5W-SP3K	5	15° Spot	470	3000K
L-ED16-COB5W-FL3K	5	38° Flood	470	3000K
L-ED16-COB5W-WF3K	5	60° Wide Flood	470	3000K
L-ED16-3W-SP	3.5	15° Spot	270	2700K
L-ED16-3W-FL	3.5	45° Flood	270	2700K
L-ED16-3W-WF	3.5	60° Wide Flood	270	2700K
L-ED16-5W-SP	5	15° Spot	350	2700K
L-ED16-5W-FL	5	45° Flood	350	2700K
L-ED16-5W-WF	5	60° Wide Flood	350	2700K

For more additional Lamps, and accessories visit Coronalighting.com

JOB INFORMATION

TYPE:

DATE:

JOB NAME & ADDRESS:

PRODUCT #:

TOTAL QUANTITY:

LAMP TYPE & WATTAGE:

TRANSFORMER:

CONTRACTOR:

SPECIFIER:

• When ordering LED lamp with a fixture your part number should follow the format below:

• **CL** - **product #** - **lamp** - **wattage** - **lamp angle**

CL - 114B-GM - L-ED16 - 5W - FL

Example: CL-114B-GM-L-ED16-5W-FL

• Corona Lighting reserves the right to make any change and/or improvement to the design and construction of this fixture without further notification.