

CL-221

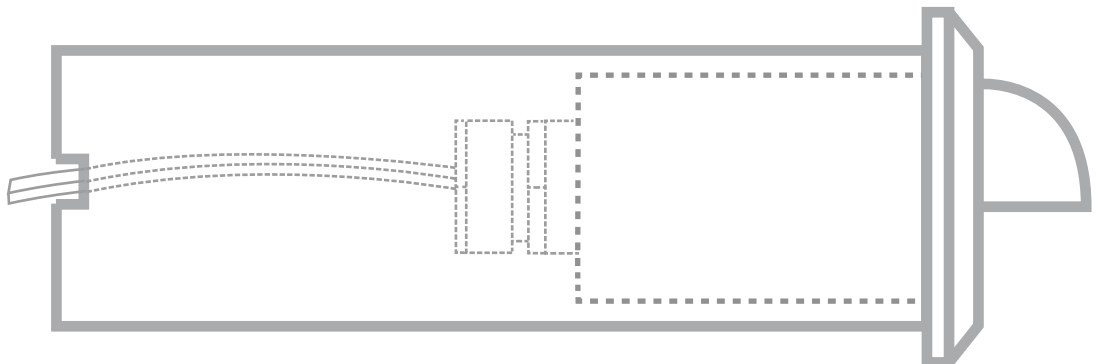
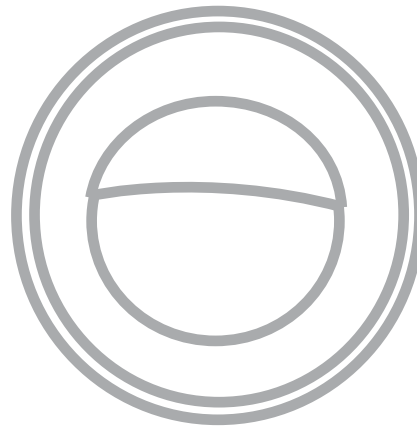
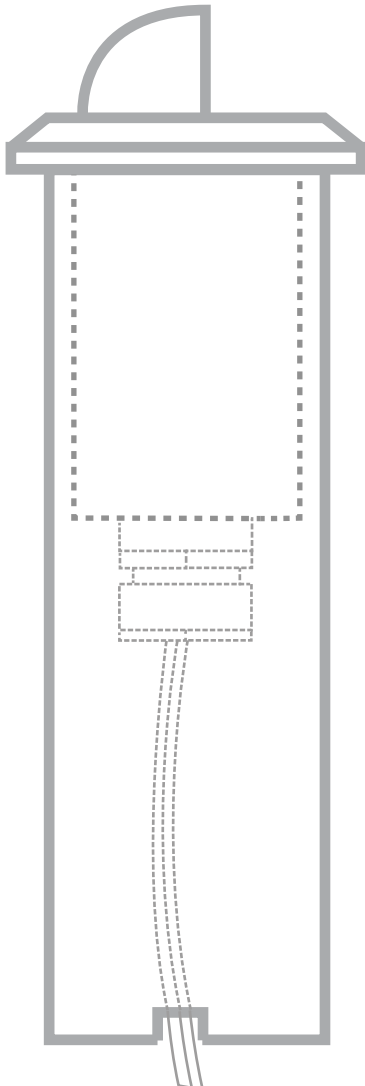
SPECIFICATION SHEETS

Fixture Configurations

Well Light2

Step Light3

Underwater Light4



SPECIFICATION SHEET

PRODUCT # : CL-221

• Well Light

• Brass

Fixture Specifications:

Housing: Heavy duty corrosion resistant cast brass with PVC sleeve.

Faceplate: Cast brass eyelid shape, fitted to housing with silicone "O" ring gasket.

Finish: **AB-** Antique Bronze, **GM-** Gun Metal, or **SI-** Silver plated available. Natural toning process. Finishes may vary due to artistic process.

Lens: Clear and heat resistant tempered flat glass.

Lighting Source: Integrated CREE LED module, 3 watt, 210 lumens 120° beam spread, 3000K, 20W halogen equivalent. Rated hours: 30,000.

Wiring: Fixture is prewired with a 18-2 10ft SPT-1W direct burial cord, pre-stripped for easy connection. Wire connector sold separately. Universal connector (**CX-839**), silicone filled wire nut (**CX-854**) or quick-locking wire connector (**CX-LOC**) are available from Corona Lighting.

Gasket:

Silicone "O" ring, seals faceplate to housing, providing weather tight protection.

Mounting:

Recessed flush mount. In-ground direct burial or concrete encasement install. Best used in concrete, brick, or other masonry surfaces.

Electrical Notes:

Integrated CREE LED module is dimmable. A remote 12V magnetic transformer is required. Options are available from Corona Lighting. Not for use with electronic transformers. Voltage range for LED module is 8-18 Volt AC. Ambient Temperature: -4°F to 104°F. CRI: Ra > 80 Proper grease/lubricant is suggested on threaded parts during installation process.

Applications:

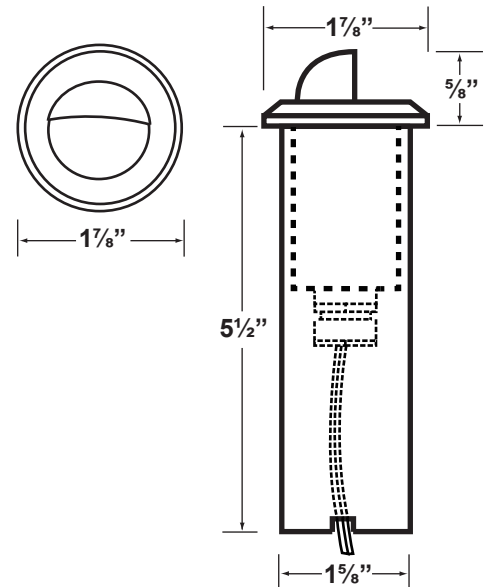
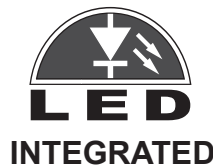
Best used for up lighting, grazing, or backlighting. Install any place where a tiny recessed fixture may fit.

Warranty:

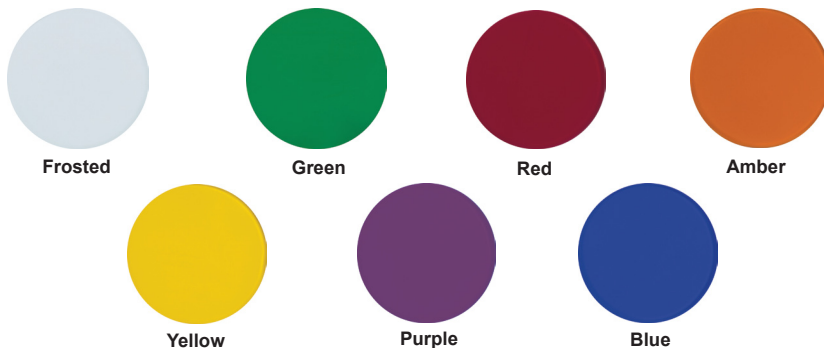
Limited lifetime warranty on fixture housing and faceplate against manufacturer's defects. Ten (10) year warranty on LED modules and components.



Faceplate shown in AB Finish



DESIGNER COLOR LENSES INCLUDED WITH THIS FIXTURE:



NOTE: Install additional O-ring (supplied) when color lenses are used.

JOB INFORMATION

TYPE: _____ DATE: _____
JOB NAME & ADDRESS: _____
PRODUCT #: _____
TOTAL QUANTITY: _____
LAMP TYPE & WATTAGE: _____
TRANSFORMER: _____
CONTRACTOR: _____
SPECIFIER: _____

• Corona Lighting reserves the right to make any change and/or improvement to the design and construction of this fixture without further notification.

SPECIFICATION SHEET

PRODUCT # : CL-221

• Step Light

• Brass

Fixture Specifications:

Housing: Heavy duty corrosion resistant cast brass with PVC sleeve.

Faceplate: Cast brass eyelid shape, fitted to housing with silicone "O" ring gasket.

Finish: **AB-** Antique Bronze, **GM-** Gun Metal, or **SI-** Silver plated available. Natural toning process. Finishes may vary due to artistic process.

Lens: Clear and heat resistant tempered flat glass.

Lighting Source: Integrated CREE LED module, 3 watt, 210 lumens 120° beam spread, 3000K, 20W halogen equivalent. Rated hours: 30,000.

Wiring: Fixture is prewired with a 18-2 10ft SPT-1W direct burial cord, pre-stripped for easy connection. Wire connector sold separately. Universal connector (**CX-839**), silicone filled wire nut (**CX-854**) or quick-locking wire connector (**CX-LOC**) are available from Corona Lighting.

Gasket: Silicone "O" ring, seals faceplate to housing, providing weather tight protection.

Mounting:

Recessed flush mount. Best used in concrete, brick, or other masonry surfaces.

Electrical Notes:

Integrated CREE LED module is dimmable. A remote 12V magnetic transformer is required. Options are available from Corona Lighting. Not for use with electronic transformers. Voltage range for LED module is 8-18 Volt AC. Ambient Temperature: -4°F to 104°F. CRI: Ra > 80 Proper grease/lubricant is suggested on threaded parts during installation process.

Applications:

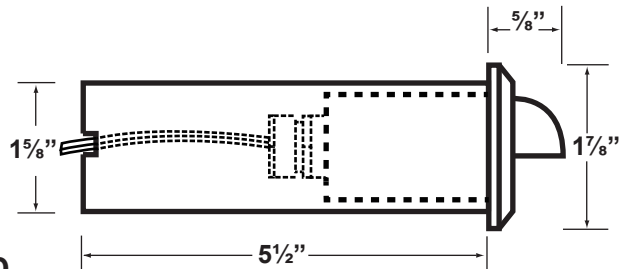
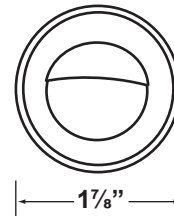
Seat walls, steps, stairs, decking, entry columns, outdoor living spaces, gazebos, or any place where a tiny recessed fixture may fit.

Warranty:

Limited lifetime warranty on fixture housing and faceplate against manufacturer's defects. Ten (10) year warranty on LED modules and components.



Faceplate shown in AB Finish



DESIGNER COLOR LENSES INCLUDED WITH THIS FIXTURE:



Frosted



Green



Red



Amber



Yellow



Purple



Blue

NOTE: Install additional O-ring (supplied) when color lenses are used.

JOB INFORMATION

TYPE: _____ DATE: _____

JOB NAME & ADDRESS: _____

PRODUCT #:

TOTAL QUANTITY:

LAMP TYPE & WATTAGE:

TRANSFORMER:

CONTRACTOR:

SPECIFIER:

• Corona Lighting reserves the right to make any change and/or improvement to the design and construction of this fixture without further notification.

SPECIFICATION SHEET

PRODUCT # : CL-221

• Underwater Light

• Brass

Fixture Specifications:

- Housing:** Heavy duty corrosion resistant cast brass with PVC sleeve.
- Faceplate:** Cast brass eyelid shape, fitted to housing with silicone "O" ring gasket.
- Finish:** **AB-** Antique Bronze, **GM-** Gun Metal, or **SI-** Silver plated available. Natural toning process. Finishes may vary due to artistic process.
- Lens:** Clear and heat resistant tempered flat glass.
- Lighting Source:** Integrated CREE LED module, 3 watt, 210 lumens 120° beam spread, 3000K, 20W halogen equivalent. Rated hours: 30,000.
- Wiring:** Fixture is prewired with a 18-2 10ft SPT-1W direct burial cord, pre-stripped for easy connection.
- Gasket:** Silicone "O" ring, seals faceplate to housing, providing weather tight protection.

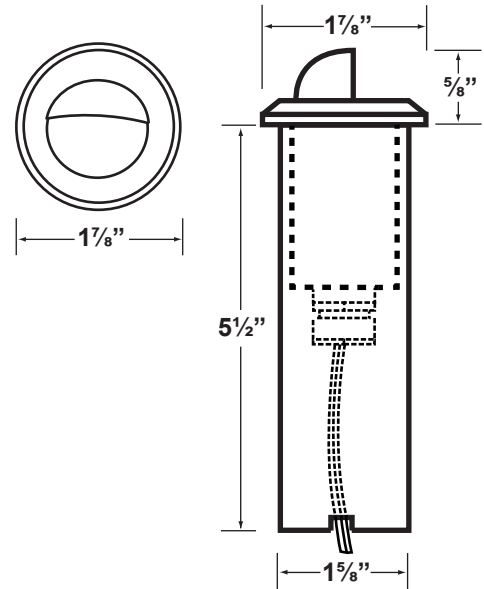
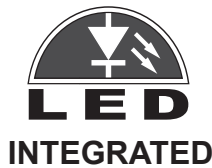
- Mounting:** Recessed flush mount.
- Electrical Notes:** Integrated CREE LED module is dimmable. A remote 12V magnetic transformer is required. Options are available from Corona Lighting. Not for use with electronic transformers. Voltage range for LED module is 8-18 Volt AC. Ambient Temperature: -4°F to 104°F. CRI: Ra > 80 Proper grease/lubricant is suggested on threaded parts during installation process.
- Applications:** Fountains, water features, ponds, waterfalls, garden pools, or any place where a tiny recessed fixture may fit.

Only to be used in fresh water. **DO NOT** install in swimming pools, lakes, or spas.
- Warranty:** Limited lifetime warranty on fixture housing and faceplate against manufacturer's defects. Ten (10) year warranty on LED modules and components.

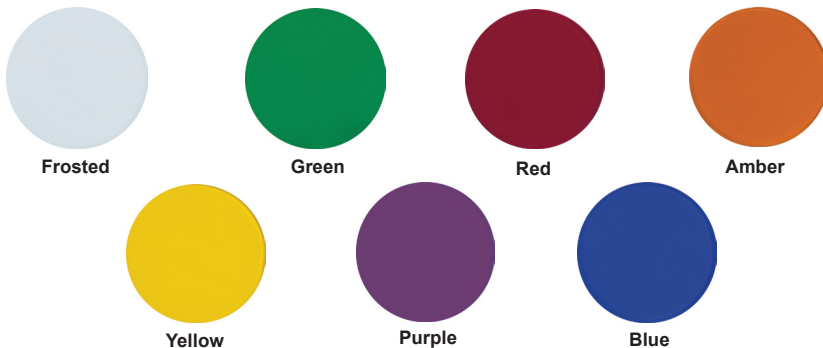


Faceplate shown in AB Finish

[No IMAGE]



DESIGNER COLOR LENSES INCLUDED WITH THIS FIXTURE:



NOTE: Install additional O-ring (supplied) when color lenses are used.

JOB INFORMATION

TYPE: _____ DATE: _____
 JOB NAME & ADDRESS: _____
 PRODUCT #: _____
 TOTAL QUANTITY: _____
 LAMP TYPE & WATTAGE: _____
 TRANSFORMER: _____
 CONTRACTOR: _____
 SPECIFIER: _____

• Corona Lighting reserves the right to make any change and/or improvement to the design and construction of this fixture without further notification.