



WWW.CORONALIGHTING.COM

1633 Staunton Ave  
 Los Angeles, CA 90021  
 TEL. (800) 727-9262  
 FAX. (800) 727-9957  
 (213) 747-4500 (213) 747-3234

ARCHITECTURAL GRADE SERIES

# SPECIFICATION SHEET

E-Mail: sales@coronalighting.com

## PRODUCT # : CL-313-BR

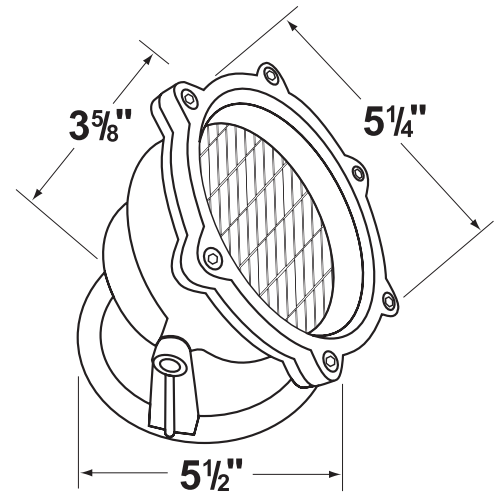
• Underwater Light

• Brass

### Fixture Specifications:

**Housing:** Solid Brass  
**Finish:** BR- Natural Brass  
**Lens:** Clear, tempered, and heat resistant glass. Lens is fully sealed for underwater usage.  
**Socket:** PAR36 Screw Terminal  
**Lamp:** 12V, Par 36 50W Max. Available in 6W, 10W and 13W LED lamps available in Flood and Wide Flood beam spreads in 2700K warm white temp.  
**Gasket:** Silicone "O" ring seals faceplate to housing providing water tight protection.  
**Wiring:** Fixture is prewired with a 30ft 18-2 SJT-W water resistant cord. Other cord lengths are also available.

**Mounting:** Fully adjustable mounting arms to provide light aiming. Fixture is mounted on a heavy duty round base for firm and stable underwater placement.  
**Electrical Notes:** A remote 12V transformer is required. Options are available from Corona Lighting. Voltage range for LED lamps are 9V-24V.  
**Applications:** To be installed in waterfalls, shallow ponds and Fountains. Do not use in swimming pools, lakes or spas.  
**Warranty:** Limited lifetime warranty on faceplate against manufacturer's defects.



**LED**  
 6W, 10W, & 13W

### AVAILABLE LED LAMPS (Corona LED lamps have a five (5) year limited warranty against manufacturer's defects)

LAMP NUMBER	WATTS	BEAM		COLOR & TEMP.	RATED HOURS	HALOGEN EQUIVALENT
		SPREAD	LUMEN			
L-ED36-6W-FL	6	45° Flood	610	2700K	50,000	35 Watt
L-ED36-6W-WF	6	60° Wide Flood	610	2700K	50,000	35 Watt
L-ED36-10W-FL	10	45° Flood	800	2700K	50,000	50 Watt
L-ED36-10W-WF	10	60° Wide Flood	800	2700K	50,000	50 Watt
L-ED36-13W-FL	13	45° Flood	1150	2700K	50,000	75 Watt
L-ED36-13W-WF	13	60° Wide Flood	1150	2700K	50,000	75 Watt

### JOB INFORMATION

TYPE: \_\_\_\_\_ DATE: \_\_\_\_\_  
 JOB NAME & ADDRESS: \_\_\_\_\_  
 PRODUCT #: \_\_\_\_\_  
 TOTAL QUANTITY: \_\_\_\_\_  
 LAMP TYPE & WATTAGE: \_\_\_\_\_  
 TRANSFORMER: \_\_\_\_\_  
 CONTRACTOR: \_\_\_\_\_  
 SPECIFIER: \_\_\_\_\_

For more additional Lamps, and accessories visit [Coronalighting.com](http://Coronalighting.com)

• When ordering a halogen lamp add lamp number to the product number. If you are ordering LED lamps you should follow the format below:

• CL - product # - lamp - wattage - lamp angle Example: CL-313-BR-L-ED36-13W-WF  
 CL - 313-BR - L-ED36 - 13W - WF

• Corona Lighting reserves the right to make any change and/or improvement to the design and construction of this fixture without further notification.