



WWW.CORONALIGHTING.COM

1633 Staunton Ave  
Los Angeles, CA 90021

TEL. FAX.

(800) 727-9262 (800) 727-9957

(213) 747-4500 (213) 747-3234

ARCHITECTURAL GRADE SERIES

# SPECIFICATION SHEET

E-Mail: sales@coronalighting.com

## PRODUCT # : CL-719B-AB

•Path Lights

•Solid Brass

### Fixture Specifications:

**Housing:** Corrosion Resistant Solid Brass.

**Stem:** Solid brass pipe with 1/2" NPT on bottom.

**Finish:** **AB- Antique Bronze.** Natural toning process. AB finish will vary due to artistic process.

**Lens:** Clear and heat resistant glass.  
**Extra frosted lens included.**

**Socket:** S.C. Bayonet socket, easy tool free lamp access.

**Lamp:** 12 volt, S.C Bayonet 27W Max. L-SCB-1141 (18W) standard. LED lamps available in 2W and 2.5W, with 2700K-warm white or 3000K-cool white color temperature. Xenon and halogen lamps also available.

**Wiring:**

Fixture is prewired with a 3ft, 18-2 direct burial cord. Wire connector sold separately. Universal connector (**CX-839**) or silicone filled wire nut (**CX-854**) is available from Corona Lighting.

**Mounting Spike:**

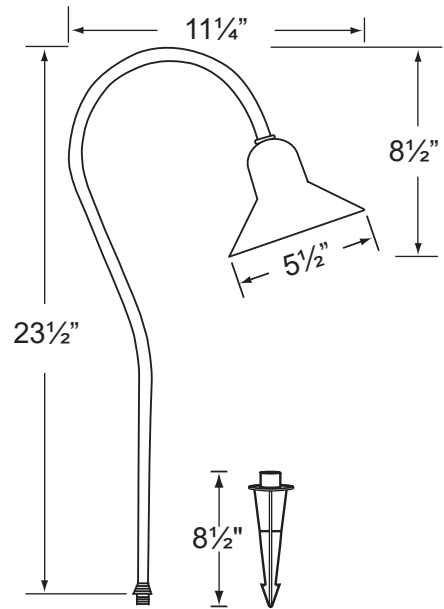
Standard injection molded spike with 1/2" NPT threaded female hub.

**Electrical Notes:**

A remote 12V transformer is required. Options are available from Corona Lighting. Voltage range for 12V halogen lamps are 11V-12.5V. Voltage range for LED lamps are 8V-21V. Proper grease/lubricant is suggested on threaded parts during installation process.

**Warranty:**

Limited lifetime warranty on fixture housing and stem against manufacturer's defects.



2W and 2.5W

**AVAILABLE LED LAMPS** (Corona LED lamps have a five (5) year limited warranty against manufacturer's defects)

LAMP NUMBER	WATTS	BEAM		COLOR & TEMP.	RATED HOURS	HALOGEN EQUIVALENT
		SPREAD	LUMEN			
L-EDBA-2W	2	360°	200	2700K	25,000	20 Watt
L-EDBA-2.5W	2.5	180°	240	2700K	25,000	35 Watt
L-EDBA-2W-3K	2	360°	210	3000K	25,000	20 Watt
L-EDBA-2.5W-3K	2.5	180°	250	3000K	25,000	35 Watt
L-EDBA-AM*	2	360°	170	2000K	25,000	20 Watt

**AVAILABLE HALOGEN LAMPS**

LAMP NUMBER	WATTS	BEAM		COLOR & TEMP.	RATED HOURS
		SPREAD	LUMEN		
L-SCB-89	7		75	2700K	750
L-SCB-93	13		190	2700K	700
L-SCB-1141	18		265	2700K	1,500
L-SCB-1156	27		400	2700K	1,200

\*AM- Amber color

For more additional Lamps, and accessories visit Coronalighting.com

**JOB INFORMATION**

TYPE: DATE:

JOB NAME & ADDRESS:

PRODUCT #:

TOTAL QUANTITY:

LAMP TYPE & WATTAGE:

TRANSFORMER:

CONTRACTOR:

SPECIFIER:

• When ordering a halogen or xenon lamp add lamp number to the product number. If you are ordering LED lamps you should follow the format below:

• CL - product # - lamp - wattage  
CL - 719B-AB - L-EDBA - 2W-3K

Example: CL-719B-AB-L-EDBA-2W-3K

• Corona Lighting reserves the right to make any change and/or improvement to the design and construction of this fixture without further notification.