



Project:	Type:
Prepared By:	Date:

Driver Info		LED Info	
Type	Constant Current	Watts	7W
120V	58	Color Temp	Field Adjustable
208V	N/A	Color Accuracy	90 CRI
240V	N/A	L70 Lifespan	50,000 Hours
277V	N/A	Lumens	653
Input Watts	7W	Efficacy	92

Technical Specifications

Performance

Product Type:

Disk Surface Mount / Retrofit

Lumens (Nominal):

650lm

Efficacy:

92 lm/W

Color Accuracy (CRI):

90 CRI

Lifespan:

50,000-Hour LED lifespan based on IES LM-80 results and TM-21 calculations

LED Characteristics

Color Temperature:

2700K/3000K/4000K/5000K

Electrical

THD:

≤20%

Power Factor:

≥0.9

Dimmable:

TRIAC and ELV (at 120V only).

Input Voltage:

120V

Operating Frequency:

60Hz

Operating Temperature:

-20°C - 40°C

Other

Warranty:

RAB warrants that our LED products will be free from defects in materials and workmanship for a period of five (5) years from the date of delivery to the end user, including coverage of light output, color stability, driver performance and fixture finish. RAB's warranty is subject to all terms and conditions found at rablighting.com/warranty.

Buy American Act Compliance:

RAB values USA manufacturing! Upon request, RAB may be able to manufacture this product to be compliant with the Buy American Act (BAA). Please contact customer service to request a quote for the product to be made BAA compliant.

Technical Specifications (continued)

Construction

Size:

4"

Shape:

Round

Finish:

White

Base Type:

E26

Compliance

Safety Listing:

UL Classified, UL Recognized

Environment:

Wet

NEC Compliant:

Suitable for use in closets. Compliant with NEC Sec. 410.16 (A)(1) and 410.16 (C5).

ENERGY STAR V2.2:

This product is ENERGY STAR® Version 2.2 Certified.

Energy Star ID:

2369269

T20 Compliant:

Yes

T24 JA8 Compliant:

Complies with Title 24 Appendix JA8

Lawful for Sale in California:

Yes

RoHS:

Mercury and UV free. RoHS-compliant components.

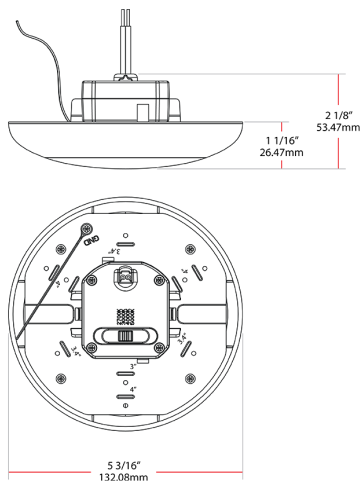
FCC:

Complies with Part 15 of the FCC Rules

Model Number:

DLS0059(DSK4R79FA120WS)

Dimensions



Features

Low profile back-lit design made of durable thermoplastic housing with frosted lens

New construction or retrofit applications

Installs on standard junction boxes

Suitable for indoor/outdoor use in dry, damp, and wet locations

Suitable for use in closets when installed in accordance with NEC guidelines

Dimmable down to 5% on compatible dimmers, see Dimmer Compatibility List

5-Year, Limited Warranty

Ordering Matrix

Family	Size	Shape	Wattage	CRI/Color Temp	Voltage	Finish	Trim
DSK	4	R	7	9FA	120	W	S
	4 = 4"	R = Round	7 = 7W	9FA = 90 CRI, 5000/4000/3500/3000/2700K	120 = 120V	W = White	S = Smooth
	6 = 6"		11 = 11W				
	8 = 8"		22 = 22W				