



PROJECT	DATE
TYPE	CATALOG #

LITTLE SMOKY

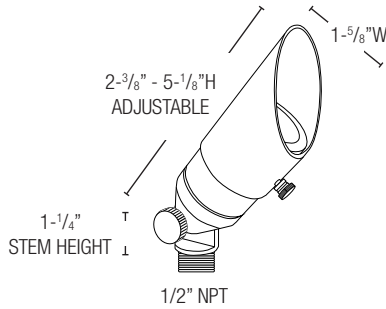
FL-104B

KEY FEATURES

- FULLY ADJUSTABLE SHROUD FOR GLARE CONTROL
- CAST BRASS
- NATURAL BRONZE FINISH GUARANTEED NOT TO CHIP, FLAKE OR PEEL
- TEMPERED, SHOCK AND HEAT RESISTENT LENS
- HIGH TEMPERATURE CERAMIC SOCKET
- FIELD REPLACEABLE LED LAMP

PRODUCT SPECIFICATIONS

MATERIAL	CAST BRASS
LENS	CLEAR FLAT TEMPERED
SOCKET	BI PIN
LAMP	MR11
VOLTAGE	12V AC/DC
PROJECTION	UP TO 20 FT
LEAD WIRE	3 FT



ETL LISTED
COMPLIES WITH UL1838

STEP 1

FIXTURE CONFIGURATION

FL-104B

FINISH

NBZ NATURAL BRONZE

STEP 3

ACCESSORY OPTIONS

AX-800P

INCLUDED

STAKE OPTION

AX-800P STANDARD SLOTTED STAKE

AX-802P HEAVY DUTY PERMA POST

SURFACE/TREE MOUNT OPTION

AX-803B DEEP ROUND BASE (NBZ)

AX-804B ROUND BASE (NBZ)

+ See accessory spec sheet for additional mounting options

STEP 2

LED LAMP CONFIGURATION

LED-MR11

LED WATTAGE

2.5W 200 LM

KELVIN TEMPERATURE

27K 2700K

30K 3000K

BEAM ANGLE

40D 40° STANDARD

80D 80° WIDE

+ Dimmable: See MR11 LED Lamps Spec Sheet for additional details