



UNDERCABINET LIGHTING

LED SWITCHABLE WHITE, DIMMABLE

UPLD

Project: _____

Fixture Type: _____

Location: _____

Contact/Phone: _____



PRODUCT DESCRIPTION

Available in four lengths, the UPLD Swivel LED undercabinet includes an easily accessible switch to select 3000K, 3500K or 4000K color temperature with 50,000 hours of life. Provides task or accent lighting in commercial, retail, hospitality and residential applications. Ideal for use over and under cabinets, display cases, task lighting, office lighting, coves and utility/work areas.

Warranty 5-year limited warranty. Complete warranty terms located at: www.acuitybrands.com/support/customer-support/terms-and-conditions

PRODUCT SPECIFICATIONS

LEDs Utilizes long-life, high-efficiency LEDs binned to within a 3-step MacAdam ellipse for excellent color consistency • Rated for 50,000 hours at 70% lumen maintenance • 90 CRI minimum • The UPLD uses an improved, recessed linking mechanism that allows two fixtures to connect together with virtually no gap between with included row connector.

Driver Integrated, high efficiency 120v, 60Hz driver • Dimmable • Works with most standard incandescent, magnetic low voltage or electronic low voltage dimmers • Compatible with most residential phase-cut dimmers.

Housing Slim 1" profile • Light bar has 20 degree swivel in each direction • Housing end caps can be pivoted for easy access to linking port • Linkable, plug-together design to connect fixture-to-fixture • Available in white or bronze finishes • Each fixture has an integrated ON/OFF switch for independent power control • Juno Pro-Series accessories are not compatible • For a complete list of compatible accessories, see below

Diffuser Lightly frosted, acrylic diffuser for maximum light transmission and uniform light distribution • Swivel head allows light to be directed to desired area.

Labels cULus listed to US and Canadian safety standards • ENERGY STAR® certified • Listed for Damp Locations • Certified to the high efficacy requirements of California T24 JA8-2016.

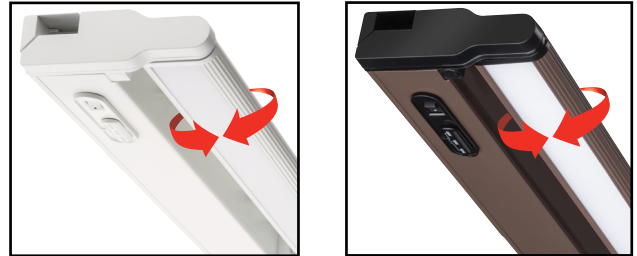
Actual performance may differ as a result of end-user environment and application. All values are design or typical values, measured under laboratory conditions at 25 °C. Specifications subject to change without notice.

INSTALLATION

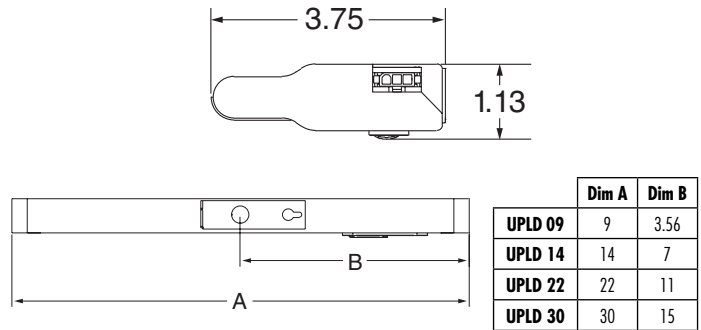
UPLD Series fixtures offer several convenient methods for installation and can be installed as direct wire or portable luminaires. Fixtures may be mounted flush to the backsplash or up against the front lip of the cabinetry using captive mounting screws.

Direct Wire The UPLD 9", 14", 22" and 30" lengths have a rear wiring access compartment and push-in electrical connectors for direct-wire application • Each length includes a die cast fitting for 3/8" flexible metal conduit • Optional UCD JB Junction/Splice box (sold separately) is available to facilitate bringing power to front end of cabinetry and then using jumper cords to connect to fixtures (see installation diagram below) • All standard mounting hardware included • 17" jumper wire and straight joiner (row) connector are included accessories.

Electrically Connecting Multiple Fixtures Fixtures can be electrically joined together using either the straight joiner (row) connector supplied with each fixture or with the included 17" connector jumper cord or optional 24" UC ERC24 connecting cord. No more than 29 units of any size should be linked together.



DIMENSIONS



ENGINEERING DATA

	9"			14"			22"			30"		
	3000K	3500K	4000K	3000K	3500K	4000K	3000K	3500K	4000K	3000K	3500K	4000K
Lumens	291	307	301.59	471	506	498.63	826	886	867	1105	1187	1166
CCT	3044	3544	4036	3040	3525	4027	3047	3543	4032	3006	3526	4017
CRI	94	95	95.37	94	96	95	94	96	95	95	96	95
Wattage	4.5	4.39	4.47	6.79	6.54	6.65	11.41	11.07	11.33	15.3	14.9	15.2
Lumens/Watt	64.61	69.83	67.48	69.41	77.3	75.03	72.35	79.99	76.54	72.23	79.67	76.73
Amperage	0.04A	0.04A	0.04A	0.06A	0.06A	0.06A	0.10A	0.10A	0.10A	0.13A	0.13A	0.13A

ORDERING INFORMATION

Example: UPLD 091N SWW4 90CRI WH

Series	Length	CCT	Minimum CRI	Finish
UPLD Swivel LED Undercabinet	09IN 9 inch	SWW4 3000K, 3500K, 4000K	90CRI 90 CRI	BZ Bronze
	14IN 14 inch			WH White
	22IN 22 inch			
	30IN 30 inch			

UNDERCABINET LIGHTING

LED SWITCHABLE WHITE, DIMMABLE

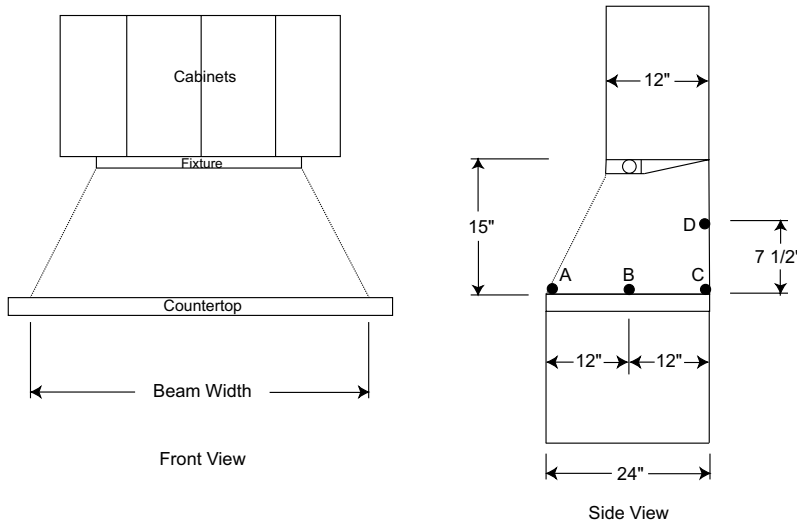
UPLD

Accessories: Order as separate catalog number.

UC SFT POWERCORD WH	White 5' cord and plug
UC SFT POWERCORD BL	Black 5' cord and plug
UCD JB	White Junction/Splice box - allows for quick and easy direct wiring
UCD JB BL	Black Junction/Splice box - allows for quick and easy direct wiring
UC ERC24	White 24" connector cord for longer length connections between fixtures or splice box (required for splice box to first fixture)
UC ERC24 BL	Black 24" connector cord for longer length connections between fixtures or splice box (required for splice box to first fixture)
UC PIR M12	On/Off Motion Sensor

LIGHTING APPLICATION DATA

FOOTCANDLES ON HORIZONTAL WORK SURFACE



Catalog Numbers	Beam Width*	Footcandles*			
		A	B	C	D
UPLD 09IN	20	17.9	38.7	22	34.3
UPLD 14IN	23	29.2	53.3	33.4	47.6
UPLD 22IN	28	45.4	83.5	56.2	78.9
UPLD 30IN	33	54.1	110.5	64.3	90.5

*Beam width defined as 50% of maximum footcandles
 Fixture mounted at front lip of cabinet
 Rear wall reflectance 50%
 Counter Surface Reflectance 20%

*Footcandles calculated with swivel bar facing straight down

DIMMER COMPATIBILITY

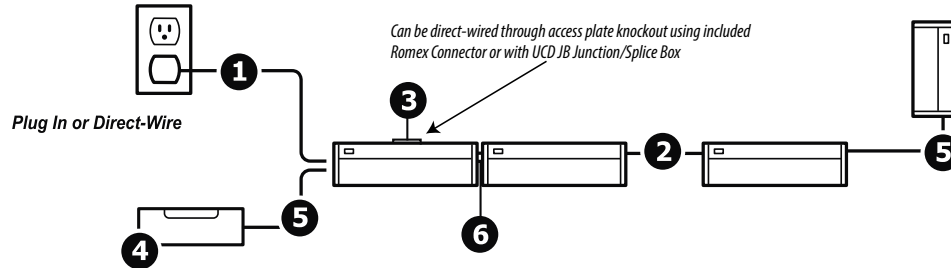
Lutron	Eaton
SkyLark SCL-153P	HALO SALO6P
Taggler TGCL-153P	
Lumea LECL-153P	
Maestro MACL-153M	
Caseta PD-6WCL	
DVCL-153P	
D-603P	
CT-603P	
DVELV-300P	
DV-603P	
S-600P	

UNDERCABINET LIGHTING

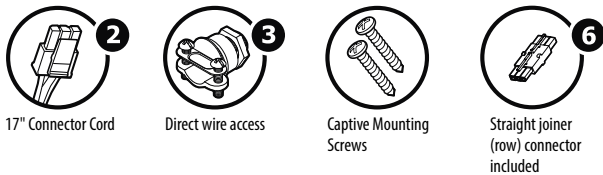
LED SWITCHABLE WHITE, DIMMABLE

UPLD

Installation



Included



17" Connector Cord

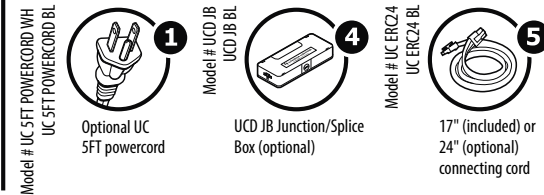
Direct wire access

Captive Mounting Screws

Straight joiner (row) connector included

Accessories

sold separately

Model # UC 5FT POWERCORD WH
UC 5FT POWERCORD BL

Optional UC 5FT powercord

Model # UCJ JB
UCJ JB BL

UCJ JB Junction/Splice Box (optional)

Model # UC ERC24
UC ERC24 BL

17" (included) or 24" (optional) connecting cord

Switchable White and On/Off Switch

- Simply switch between 3000, 3500, or 4000K CCT
- Choose CCT to enhance space based on décor
- Simplifies Distributor's inventory and choice for customer



Simple to Install

- Captive screws eliminates frustration during installation
- Can be installed as direct wired or portable luminaires
- Fixtures can be electrically joined together using either the included straight joiner (row) connector or 17" connector jumper cord, or optional 24" UC ERC24 connecting cord.

