

# NF-R246

## Universal New Construction Frame-In for LED luminaires

Type

Project

Catalog No.

Notes

### PRODUCT DESCRIPTION

Universal new construction frame-in can be used to assist installing canless recessed downlights. Includes multiple cut outs for 2", 4" and 6" LED luminaires

**Mounting:** Bar hangers are adjustable from 13-3/4" to 26" with integral nails. Bar hangers are slotted for T-bar ceiling grids.

### COMPATIBLE LUMINAIRES

**NEFLINTW-R4MPW:** 4" E-Series FLIN LED Downlight (2700K/3000K/3500K/4000K/5000K)

**NEFLINTW-R6MPW:** 6" E-Series FLIN LED Downlight (2700K/3000K/3500K/4000K/5000K)

**NFLIN-R407:** 4" FLIN Round LED Downlight, 800 lumens

**NLTH-4ITW-MPW:** 4" Theia LED Downlight (2700K/3000K/3500K/4000K/5000K)

**NLTH-6ITW-MPW:** 6" Theia LED Downlight (2700K/3000K/3500K/4000K/5000K)

**NM2-2RDC:** 2" M2 LED Downlight

**NM2-2RDCS:** 2" M2 LED Lensed Downlight

**NM2-2SDC:** 2" M2 Square LED Downlight

**NM2-2SB:** 2" M2 Square LED Baffle Downlight

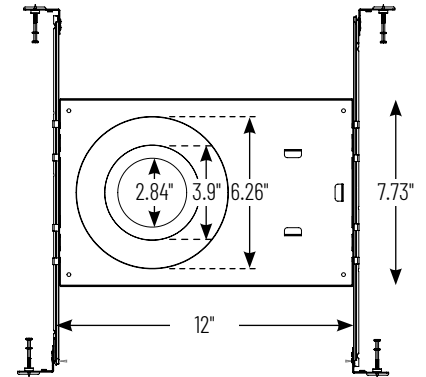
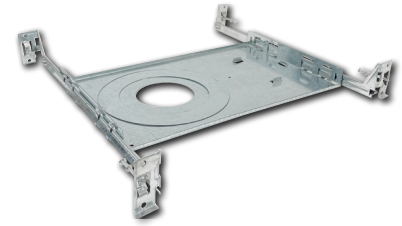
**NM2-2RG:** 2" M2 LED Adjustable Gimbal

**NM2-2R270:** 2" M2 LED Adjustable Elbow

**NM4-RG:** 4" M4 LED Adjustable Gimbal

**NM4-R470:** 4" M4 LED Adjustable Elbow

### PRODUCT IMAGES AND DIMENSIONS



## Universal New Construction Frame-In for LED luminaires

Accessory Type

**NF-R246** = Universal New Construction Frame-In

## Compatible Luminaires

Description

**NEFLINTW-R4MPW** = 4" E-Series FLIN Downlight (27/30/35/40/50K)

**NEFLINTW-R6MPW** = 6" E-Series FLIN Downlight (27/30/35/40/50K)

**NFLIN-R407** = 4" FLIN Round LED Downlight

**NLTH-4ITW-MPW** = 4" Theia Downlight (27K/30K/35K/40K/50K)

**NLTH-6ITW-MPW** = 6" Theia Downlight (27K/30K/35K/40K/50K)

**NM2-2RDC** = 2" M2 Downlight

**NM2-2RDCS** = 2" M2 Lensed Downlight

**NM2-2SDC** = 2" M2 Square Downlight

**NM2-2SB** = 2" M2 Square Baffle

**NM2-2RG** = 2" M2 Adjustable Gimbal

**NM2-2R270** = 2" M2 Adjustable Elbow

**NM4-RG** = 4" M4 Adjustable Gimbal

**NM4-R470** = 4" M4 Adjustable Elbow

Example: **NF-R246** = Universal New Construction Frame-In for LED luminaires