

NLTH-81TW-MPW

8" Theia LED Tunable Downlight

Source: 22W

Up to 2100lm

Type

Project

Catalog No.

Notes

PRODUCT DESCRIPTION

Theia LED luminaires are commercial grade downlights designed for easy installation into new construction or remodel applications. Tunable white luminaires include an integral color temperature switch located on the junction box of each luminaire with a quick connect that allows for easy disconnect and mounting in the ceiling.

FEATURES

- Five different color temperatures in one luminaire
- No housing required and includes junction box with class 2 driver
- Quick installation and cost savings
- Junction box includes color temperature switch
- IC Air-Tight rated
- Junction box includes color temperatures switch
- Five color temperatures in each fixture (2700K / 3000K / 3500K / 4000K / 5000K)
- Triac or ELV dimming
- cETLus Listed for Wet Locations
- 5-year limited warranty

SPECIFICATION

Construction: Aluminum luminaire with spring clips for easy installation. Gasket included for air-tight and wet location listing without additional caulking.

Air Flow Restriction: Luminaire has factory installed gasket to restrict airflow from room into ceiling plenum to <2CFM (cubic feet per minute) in accordance with ASTM-283 Air-Tight requirements.

Junction Box: Prewired junction box includes quick connect to LED fixtures for ease of installation. Junction box includes four 1/2" knockouts, two keyhole slots and snap on cover. Maximum of 4 No. 12 AWG or Maximum of 6 No. 14 AWG through branch circuit conductor suitable for 90°C permitted in box. [Fixture wire length: 7-1/2" and Junction box wire length: 10-1/2"]

Mounting: No housing is required, two tensions steel spring clips secure luminaires to the ceiling. Luminaires accept ceiling thicknesses from 3/8" to 1-1/4". New construction frame-in or plate are available (ordered separately), not required.

Minimum clearance: "IC" Insulated ceiling luminaires are direct contact rated; no minimum clearance is required.

ELECTRICAL

Voltage: 120Vac, 0.197A, 60Hz

Lumens / Wattage: Up to 2100lm / 22W

Color Temperature: Selectable CCT: 2700K / 3000K / 3500K / 4000K / 5000K (Note: Preset to 3000K)

Color Rendering Index: 90+ CRI

Beam Spread: 94° Wide Flood

Operating Temperature: 0°C to 35°C ambient temperature

Lifetime: 50,000 hours @ L70

Dimming: Dimmable down to 10% with Triac or ELV dimmer

[Click Here](#) or check complete dimmer list at www.NoraLighting.com in the "Compatibility" page under "Resources" tab

OPTIONAL ACCESSORIES

[NF-R725:](#) New Construction Frame-In

[NFP-R725:](#) New Construction Plate

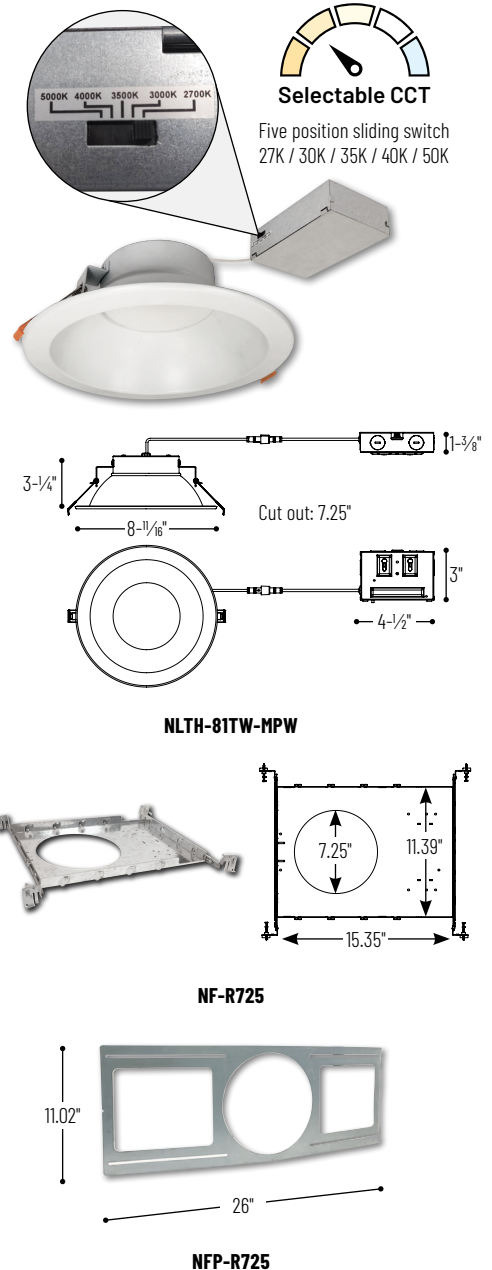
LABELS AND LISTINGS

- cETLus Listed for Wet location
- ENERGY STAR certified
- Certified to the high efficacy requirements of California Title 24 JA8-2022
- [5-Year Limited Warranty](#)
- FCC Compliant



| Performance Data | | |
|------------------|--------|-------|
| Part Number | Lumens | CCT |
| NLTH-81TW-MPW | 1920lm | 2700K |
| NLTH-81TW-MPW | 2039lm | 3000K |
| NLTH-81TW-MPW | 2112lm | 3500K |
| NLTH-81TW-MPW | 2148lm | 4000K |
| NLTH-81TW-MPW | 2082lm | 5000K |

PRODUCT IMAGES AND DIMENSIONS



8" Theia LED Downlight with Selectable CCT

Lumens / Wattage / Finish

NLTH-81TW-MPW = 2100lm / 22W / Matte Powder White finish

Optional Accessories

Description

NF-R725 = New Construction Frame-In

NFP-R725 = New Construction Plate

Example: NLTH-81TW-MPW = 8" Theia LED Downlight with Selectable CCT, Matte Powder White Finish

PHOTOMETRICS

8" Theia LED Tunable Downlight

Type

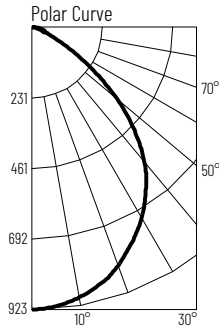
Project

Catalog No.

Notes

Test Information

Test Number: NTR1770R2
 Part Number: NLTH-81TW-MPW
 Beam Spread: 94° Wide Flood
 Lumens: 1920lm
 Wattage: 21.01W
 Efficacy: 91lpw
 CCT / CRI: 2700K / 90 CRI
 Spacing Criteria (0°-180°): 1.2
 Spacing Criteria (90°-270°): 1.2



Illuminance at a Distance

| Distance from Luminaire | FC at Nadir | Beam Diameter |
|-------------------------|-------------|---------------|
| 12' | 6.4fc | 25'-11" |
| 14' | 4.7fc | 30'-4" |
| 16' | 3.6fc | 34'-7" |
| 18' | 2.9fc | 38'-11" |
| 20' | 2.3fc | 43'-2" |

Zonal Lumen Summary

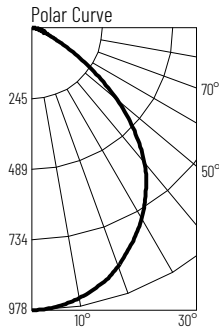
| Zone | Lumens | % Luminaire |
|--------|--------|-------------|
| 0-30 | 695 | 36.2 |
| 0-40 | 1113 | 58 |
| 0-60 | 1759 | 91.6 |
| 0-90 | 1920 | 100 |
| 90-180 | 0 | 0 |
| 0-180 | 1920 | 100 |

Candela Table

| Vertical Angles | Candela |
|-----------------|---------|
| 0 | 923 |
| 5 | 914 |
| 15 | 875 |
| 25 | 795 |
| 35 | 673 |
| 45 | 511 |

Test Information

Test Number: NTR1771R2
 Part Number: NLTH-81TW-MPW
 Beam Spread: 94° Wide Flood
 Lumens: 2039lm
 Wattage: 20.64W
 Efficacy: 99lpw
 CCT / CRI: 3000K / 90 CRI
 Spacing Criteria (0°-180°): 1.2
 Spacing Criteria (90°-270°): 1.2



Illuminance at a Distance

| Distance from Luminaire | FC at Nadir | Beam Diameter |
|-------------------------|-------------|---------------|
| 12' | 6.8fc | 26' |
| 14' | 5fc | 30'-4" |
| 16' | 3.8fc | 34'-7" |
| 18' | 3fc | 38'-11" |
| 20' | 2.5fc | 43'-4" |

Zonal Lumen Summary

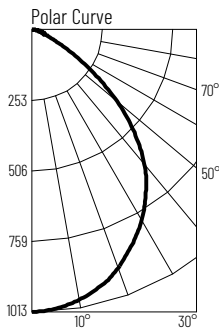
| Zone | Lumens | % Luminaire |
|--------|--------|-------------|
| 0-30 | 738 | 36.2 |
| 0-40 | 1183 | 58 |
| 0-60 | 1869 | 91.7 |
| 0-90 | 2039 | 100 |
| 90-180 | 0 | 0 |
| 0-180 | 2039 | 100 |

Candela Table

| Vertical Angles | Candela |
|-----------------|---------|
| 0 | 978 |
| 5 | 974 |
| 15 | 930 |
| 25 | 843 |
| 35 | 716 |
| 45 | 541 |

Test Information

Test Number: NTR1772R2
 Part Number: NLTH-81TW-MPW
 Beam Spread: 94° Wide Flood
 Lumens: 2112lm
 Wattage: 20.19W
 Efficacy: 105lpw
 CCT / CRI: 3500K / 90 CRI
 Spacing Criteria (0°-180°): 1.2
 Spacing Criteria (90°-270°): 1.2



Illuminance at a Distance

| Distance from Luminaire | FC at Nadir | Beam Diameter |
|-------------------------|-------------|---------------|
| 12' | 7fc | 26' |
| 14' | 5.2fc | 30'-5" |
| 16' | 4fc | 34'-8" |
| 18' | 3.1fc | 39' |
| 20' | 2.5fc | 43'-5" |

Zonal Lumen Summary

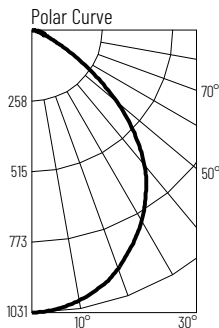
| Zone | Lumens | % Luminaire |
|--------|--------|-------------|
| 0-30 | 764 | 36.2 |
| 0-40 | 1224 | 58 |
| 0-60 | 1935 | 91.6 |
| 0-90 | 2112 | 100 |
| 90-180 | 0 | 0 |
| 0-180 | 2112 | 100 |

Candela Table

| Vertical Angles | Candela |
|-----------------|---------|
| 0 | 1013 |
| 5 | 1007 |
| 15 | 960 |
| 25 | 874 |
| 35 | 743 |
| 45 | 561 |

Test Information

Test Number: NTR1773R2
 Part Number: NLTH-81TW-MPW
 Beam Spread: 94° Wide Flood
 Lumens: 2148lm
 Wattage: 20.54W
 Efficacy: 105lpw
 CCT / CRI: 4000K / 90 CRI
 Spacing Criteria (0°-180°): 1.2
 Spacing Criteria (90°-270°): 1.2



Illuminance at a Distance

| Distance from Luminaire | FC at Nadir | Beam Diameter |
|-------------------------|-------------|---------------|
| 12' | 7.2fc | 26' |
| 14' | 5.3fc | 30'-4" |
| 16' | 4fc | 34'-7" |
| 18' | 3.2fc | 38'-11" |
| 20' | 2.6fc | 43'-4" |

Zonal Lumen Summary

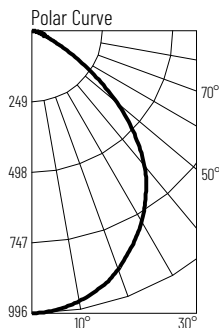
| Zone | Lumens | % Luminaire |
|--------|--------|-------------|
| 0-30 | 645 | 30 |
| 0-40 | 1056 | 49 |
| 0-60 | 1937 | 90.2 |
| 0-90 | 2148 | 100 |
| 90-180 | 0 | 0 |
| 0-180 | 2148 | 100 |

Candela Table

| Vertical Angles | Candela |
|-----------------|---------|
| 0 | 1031 |
| 5 | 1025 |
| 15 | 977 |
| 25 | 886 |
| 35 | 754 |
| 45 | 569 |

Test Information

Test Number: NTR1774R2
 Part Number: NLTH-81TW-MPW
 Beam Spread: 94° Wide Flood
 Lumens: 2082lm
 Wattage: 21W
 Efficacy: 99lpw
 CCT / CRI: 5000K / 90 CRI
 Spacing Criteria (0°-180°): 1.2
 Spacing Criteria (90°-270°): 1.2



Illuminance at a Distance

| Distance from Luminaire | FC at Nadir | Beam Diameter |
|-------------------------|-------------|---------------|
| 12' | 6.9fc | 26' |
| 14' | 5.1fc | 30'-4" |
| 16' | 3.9fc | 34'-7" |
| 18' | 3.1fc | 39' |
| 20' | 2.5fc | 43'-4" |

Zonal Lumen Summary

| Zone | Lumens | % Luminaire |
|--------|--------|-------------|
| 0-30 | 752 | 36.1 |
| 0-40 | 1205 | 57.9 |
| 0-60 | 1906 | 91.5 |
| 0-90 | 2082 | 100 |
| 90-180 | 0 | 0 |
| 0-180 | 2082 | 100 |

Candela Table

| Vertical Angles | Candela |
|-----------------|---------|
| 0 | 996 |
| 5 | 991 |
| 15 | 946 |
| 25 | 863 |
| 35 | 730 |
| 45 | 552 |