

NSW-800

Wet Location Housing for Brick LED Step Lights

Type _____

Project _____

Catalog No. _____

Notes _____

PRODUCT DESCRIPTION

IP65 rated aluminum housing for LED step lights. Optional adjustable bar hanger kit (NRA-6301), ordered separately.

CONSTRUCTION

Mounting: 24-1/2" adjustable bar hanger kit (NRA-6301) required

Knockouts: (3) 1/2" knockouts

COMPATIBLE STEP LIGHTS

NSW-841/32W: Brick LED Step Light, Louver (120-277V Dimmable)

NSW-842/32W: Brick LED Step Light, Lensed (120-277V Dimmable)

NSW-843/32W: Brick LED Step Light, Shroud (120-277V Dimmable)

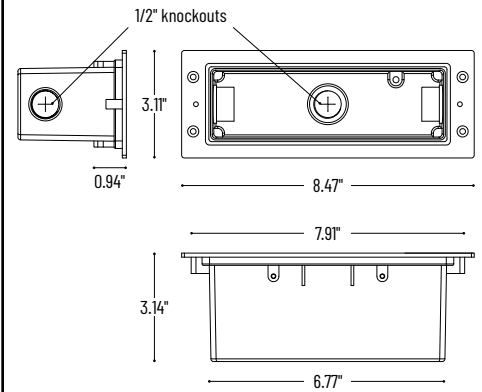
NSW-851/32W: Brick LED Step Light, Louver (120-277V Non-Dimmable)

LABELS AND LISTINGS

- cULus classified for Wet Location
- IP65 rated



PRODUCT IMAGES AND DIMENSIONS



Wet Location Housing for Brick LED Step Lights

Description
NSW-800 = Wet Location Housing
NRA-6301 = 24-1/2" Adjustable Bar Hanger Kit (includes housing bracket)

Example: **NSW-800** = Wet Location Housing for Brick LED Step Light