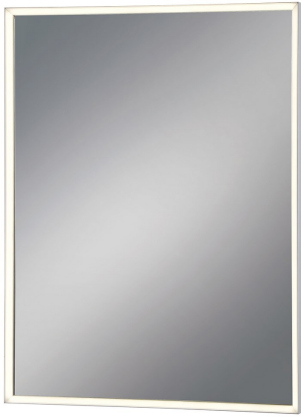


LUMO, 24"W x 32"H RECTANGULAR MIRROR



PRODUCT DETAILS

| | | |
|--------|---|-----------|
| No. | : | 31479-011 |
| Width | : | 24" |
| Height | : | 32" |
| Ext | : | 2" |
| Weight | : | 18.4lbs |

LIGHT SOURCE DETAILS

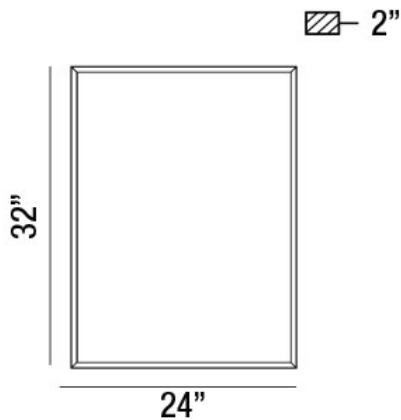
| | | |
|-------------------|---|----------------|
| Light Source Type | : | INTEGRATED LED |
| Input Voltage | : | 120V |
| Bulb Voltage | : | 120V |
| Total Wattage | : | 18W |
| Kelvin | : | 3000/4000K |
| CRI | : | 80 |

TECHNICAL DETAILS

| | | |
|----------|---|---|
| Location | : | DAMP |
| Approval | : |  |

OPTIONS AVAILABLE

| ITEM NO. | FINISH | SHADE |
|-----------|--------|-------|
| 31479-011 | | |



PROJECT INFORMATION

 Job Name: Date: Type:

 Comments: