

## SASSI, 36" LINEAR CHANDELIER



### PRODUCT DETAILS

|                         |   |           |
|-------------------------|---|-----------|
| No.                     | : | 34154-014 |
| Product Color           | : | CHROME    |
| Product Material        | : | METAL     |
| Shade / Accent Colour   | : | CLEAR     |
| Shade / Accent Material | : | CRYSTAL   |
| Length                  | : | 36"       |
| Width                   | : | 2.75"     |
| Height                  | : | 2.75"     |
| Overall Height          | : | 100.25"   |
| Weight                  | : | 8.8lbs    |


### LIGHT SOURCE DETAILS

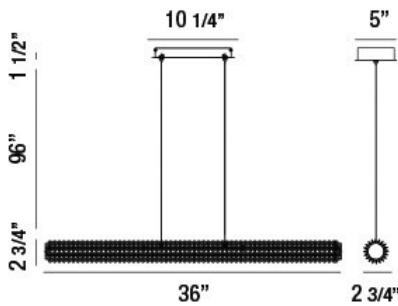
|                   |   |                |
|-------------------|---|----------------|
| Light Source Type | : | INTEGRATED LED |
| Input Voltage     | : | 120V           |
| Bulb Voltage      | : | 120V           |
| Socket Type       | : | LED            |
| Total Wattage     | : | 30W            |
| Delivered Lumens  | : | 2700lm         |
| Kelvin            | : | 3000K          |
| CRI               | : | 90+            |
| Dimmable          | : | Yes            |

### OPTIONS AVAILABLE

| ITEM NO.  | FINISH | SHADE |
|-----------|--------|-------|
| 34154-014 | CHROME | CLEAR |

### TECHNICAL DETAILS

|                           |   |   |
|---------------------------|---|---|
| Hanging Support Type      | : | AIRCRAFT CABLE  |
| Hanging Support Length    | : | 96"   |
| Canopy / Backplate Length | : | 10.25"  |
| Canopy / Backplate Height | : | 1.5"  |
| Canopy / Backplate Width  | : | 5"  |
| Location                  | : | DRY   |
| Approval                  | : |  |



### PROJECT INFORMATION

 Job Name:       Date:       Type: 

 Comments: