

Project		Catalog #		Type	
Prepared by		Notes		Date	



# HALO

## QuickLink | HLB4 0-10V

Halo QuickLink Low Voltage Lighting Kit  
Canless Installation

### Typical Applications

- Residential • Light Commercial

### Product Certification



Refer to ENERGY STAR® Certified Products List.  
Can be used to comply with California Title 24 High Efficacy requirements.  
Certified to California Appliance Efficiency Database under JA8.

### Product Features



### Interactive Menu

- Order Information page 2
- Product Specifications page 2
- Photometric Data page 4
- Product Warranty

### Top Product Features

- Single driver powers multiple LED fixtures connected by low voltage cable
- Selectable CCT: 2700K, 3000K, 3500K, 4000K, 5000K
- Direct mount – does not require recessed housing or junction box
- 120-277V input, dimmable down to 5% with select 0-10V dimmers
- Perfect for new construction or remodel work
- Power supply is Non-IC, LED units are IC rated

# QuickLink

Low Voltage Kit



**1** POWER SUPPLY & **6** FIXTURES  
40ft.

SAVE UP TO **85%**  
WIRING TIME

## Order Information

SAMPLE ORDER NUMBER: (1) HLBQL4069FSE010-6PK, (5) HLBQL4069FSE010

Purchase kit and additional fixtures separately.

### Low Voltage Lighting Kit

Kit includes (1) 90W low voltage remote driver, 40ft of low voltage CMP cable, (6) HLBQL4 fixtures

Model	Lumens	CRI/CCT	Driver	Kit Size
HLBQL4 = 4-inch HLB QuickLink Low Voltage Lighting	06 = 600 lumens (nominal)	9FS = 90 CRI min, 5-color selectable CCT	E010 = 120-277V, 0-10V 5% dimming	-6PK = 6 pack kit including driver
Notes	Notes	Notes	Notes	Notes

### Additional Fixtures<sup>(1)</sup>

Driver **NOT** included. Connect additional fixtures to Low Voltage Lighting Kit.

Model	Lumens	CRI/CCT	Driver
HLBQL4 = 4-inch HLB QuickLink Low Voltage Lighting	06 = 600 lumens (nominal)	9FS = 90 CRI min, 5-color selectable CCT	E010 = 120-277V, 0-10V 5% dimming
Notes	Notes	Notes	Notes

(1) Maximum 11 fixtures per driver.

### Accessories

Accessories	
<b>Mounting Frames</b> HL4RSMF = 4" mounting frame (for round or square canless direct mount lights) <sup>(2)</sup>	<b>Designer Trims</b> HLB4RTRMMW = 4" round decorative overlay, matte white HLB4RTRMSN = 4" round decorative overlay, satin nickel HLB4RTRMTBZ = 4" round decorative overlay, tuscan bronze
<b>Oversized Trim Ring</b> HLB4ROTMW = 4" round oversized trim, matte white	
Notes	
(2) Due to its size, the QuickLink Remote Driver must mount to the building structure, not a mounting frame.	

Fixture Count		
Model	Watts per Downlight	Max Downlights
HLB4 0-10V	8.1 W	11

## Product Specifications

### Modules

- Die-cast aluminum mounting frame with integral flange provides passive thermal cooling
- Achieves L70 at 50,000 hours in IC and non-IC applications
- High impact diffuse lens provides shielding to the light guide minimizing pixilation

### Gaskets

- Closed cell gasket achieves restrictive airflow requirements without additional caulking

### LED Array

- Plurality of mid power LED's provides a uniform source with high efficiency and long life
- 90 color rendering index (CRI) minimum; R9 greater than 50 provides high color rendering
- Field selectable color temperature, select select 2700K, 3000K, 3500K, 4000K, 5000K CCT; color accuracy within 4 SDCM
- Meets ENERGY STAR® color angular uniformity requirements

### Optical Assembly

- Precision acrylic light guide organizes source flux into wide distribution with 1.4 spacing criteria, useful for general area illumination

### Junction Box

- Pre-galvanized steel driver/junction box with captive hinged junction box cover
- Hinged junction box for easier installation into ceiling plenum
- Three 1/2" conduit pry-outs
- Two Slide-N-Side™ non-metallic (NM) wire traps allows wiring outside the box
- Accepts NM cable types: 14-2, 14-3, 12-2, 12-3 (U.S.) and 14-2, 14-3, 12-2 (Canadian)
- Three 4-port push wire nuts with clear caps for quick and reliable mains voltage connections
- Integral mounting holes facilitate direct mounting to building structure

### Driver

- 90W 120-277V, providing noise free operation
- Continuous flicker-free dimming down to 5% with select 0-10V dimmers
- Inline electrical quick connect provides low voltage connection to fixture fitting

### Installation

- Can be installed in 1/2" to 1-1/4" thick ceilings
- Heat treated springs hold fixture fitting securely in the ceiling
- Halo QuickLink Quick Connectors allow for quick installation of additional fixtures

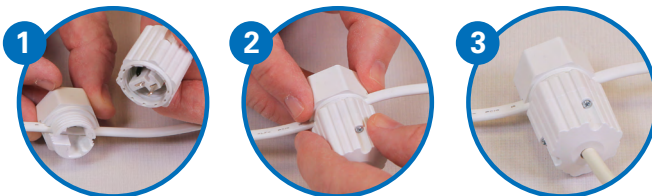
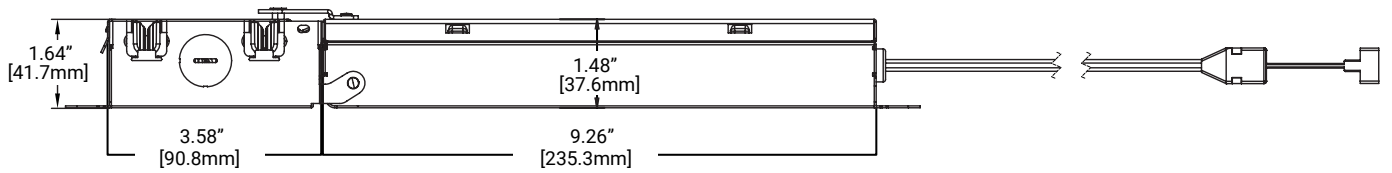
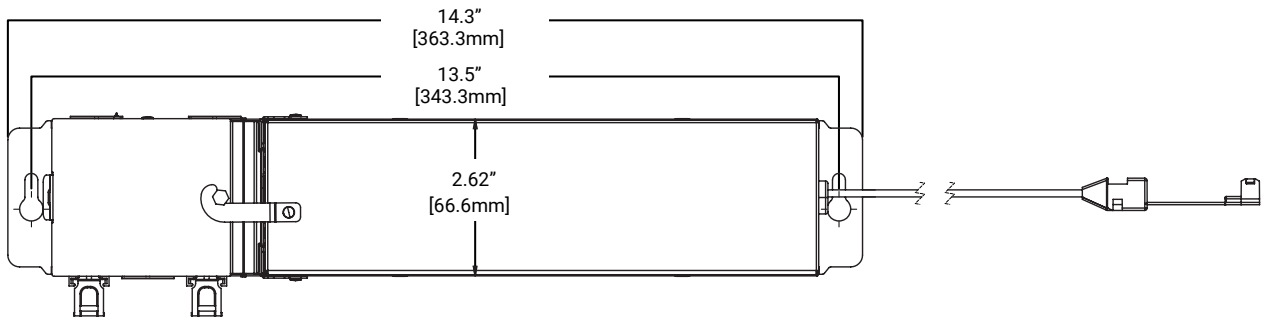
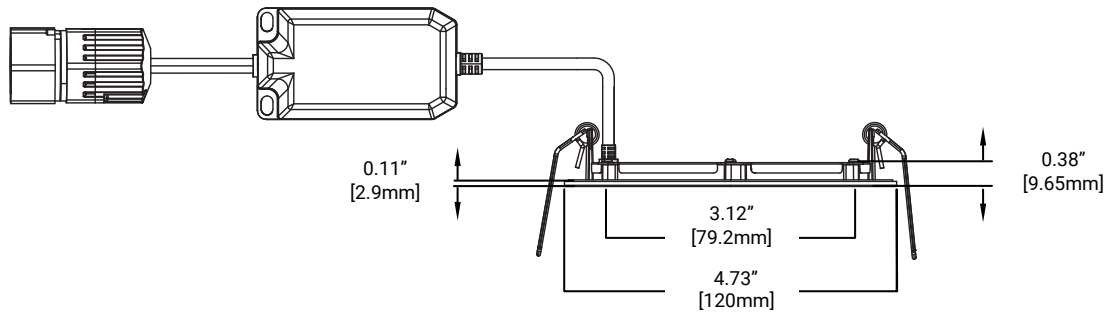
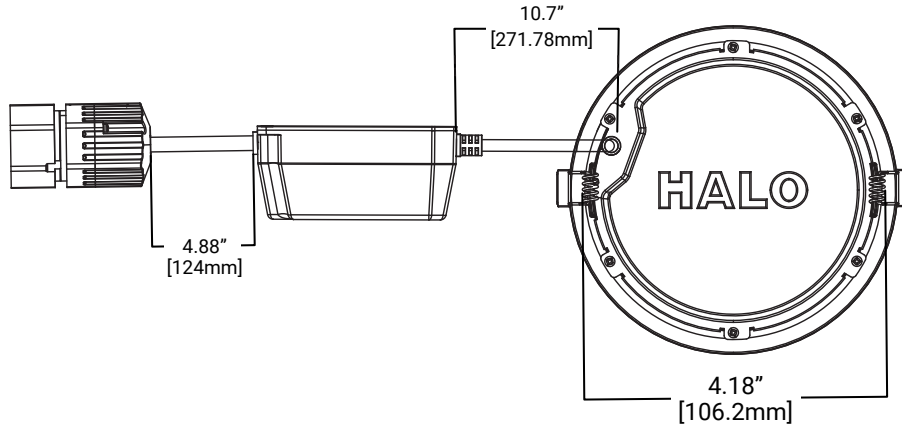
### Compliance

- UL Certified for US and Canada
- NOTE:** Not for use in direct contact with spray foam insulation, reference NEMA LSD57-2013
- Wet location listed and IP44 ingress protection
- Air-tite per ASTM-E283-04
- Suitable for use in clothes closets when installed in accordance with the NEC 410.16 spacing requirements
- EMI/RFI emissions per FCC 47CFR Part 15 consumer limits
- Contains no mercury or lead and RoHS compliant
- Photometric testing in accordance with IES LM-79-08
- Lumen maintenance projections in accordance with IES LM-80-08 and TM-21-11
- Compliant with California Title 24 High Efficiency LED under JA8, reference Modernized Appliance Efficiency Database System (MAEDBS) for 2019 JA8 High Efficacy Lighting
- ENERGY STAR® certified (reference "Certified Light Fixtures" database)

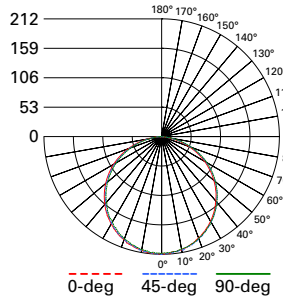
### Warranty

- Five year limited warranty, consult website for details. [www.cooperlighting.com/legal](http://www.cooperlighting.com/legal)

## Dimensional and Mounting Details



## Photometric Data



### HLBLV4069FSE010MW-3000K-UNIT

Spacing criterion: (0-180) 1.28  
(90-270) 1.28  
(Diagonal) 1.40

Beam Angle: 112.8°

Field Angle: 161.6°

Lumens: 605

Input Watts: 8.1 W

Efficacy: 74.7 LPW

Test Report:

HLBLV4069FSE010MW-3000K-UNIT.ies

Zonal Lumen	Lumens	% Lumens
0-30	163	27
0-40	268	44.3
0-60	476	78.8
0-90	605	100

TM-30-15	Rf = 92
	Rg = 99
CRI/CIE	Ra = 93
	R9 = 73

CCT - Range of 2700K- 5000K



112°

**Note:** Lumen output may decrease based on distance from power supply and quantity of LED heads used.

## Energy Data - 4 Pack Kit

Lumens	3630 lm @ 3000K	
Input Voltage	120V	277V
Input Current	0.45 (A)	0.23 (A)
Input Power	53 (W)	53 (W)
Efficiency	68.5 (LPW)	68.5 (LPW)
Inrush (A)	8 A @ 250 μS	11 A @ 1000 μS
THD	≤ 20%	≤ 40%
PF:	≥ 0.9	≥ 0.8
T Ambient	-30 - +40°C	-30 - +40°C
Sound Rating	≤ 22 dba	≤ 22 dba

## Product Specifications

### HLBQL4069FSE010

PRODUCT SPECIFICATIONS	
Lumens	605
Watts	8.1
Lumens Per Watt (Efficacy)	74.7
Color Accuracy (CRI)	93
Light Color (CCT) Correlated Color Temperature (CCT)	3000K
2700K	3000K
4500K	6500K

HLBQL4069FSE010 - Individual Fixture					
	CCT	Watts	Lumens	LPW	CRI
Individual Downlight 600LM	2700K	8.1	600	74.1	93
	3000K	8.1	605	74.7	93
	3500K	8.1	620	76.5	94
	4000K	8.1	635	78.4	94
	5000K	8.1	650	80.2	93

HLBQL4069FSE010-6PK - System					
	CCT	Watts	Lumens	LPW	CRI
6PK-System 3600LM	2700K	54.0	3600	66.7	93
	3000K	53.0	3630	68.5	94
	3500K	53.2	3720	69.9	94
	4000K	53.1	3810	71.8	94
	5000K	54.0	3900	72.2	93