

Project		Catalog #		Type	
Prepared by		Notes		Date	



HALO

QuickLink | HLB4 Phase Cut

Halo QuickLink Low Voltage Lighting Kit
Canless Installation

Typical Applications

- Residential

Product Certification



Refer to ENERGY STAR® Certified Products List.
Can be used to comply with California Title 24 High Efficacy requirements.
Certified to California Appliance Efficiency Database under JA8.

Product Features



Interactive Menu

- Order Information page 2
- Product Specifications page 2
- Photometric Data page 4
- Product Warranty

Top Product Features

- Single driver powers multiple LED fixtures connected by low voltage cable
- Selectable CCT: 2700K, 3000K, 3500K, 4000K, 5000K
- Direct mount – does not require recessed housing or junction box
- 120V input, dimmable down to 5% with select phase cut dimmers
- Perfect for new construction or remodel work
- Power supply and LED units are IC rated

QuickLink

Low Voltage Kit



1 POWER SUPPLY & **4** FIXTURES
35ft.

SAVE UP TO **85%**
WIRING TIME

Order Information

SAMPLE ORDER NUMBER: (1) HLBQL4069FS1E-4PK, (2) HLBQL4069FS1E

Purchase kit and additional fixtures separately.

Low Voltage Lighting Kit

Kit includes (1) 70W low voltage remote driver, 35ft of low voltage CM cable, (4) HLBQL4 fixtures

Model	Lumens	CRI/CCT	Driver	Kit Size
HLBQL4 = 4-inch HLB QuickLink Low Voltage Lighting	06 = 600 lumens (nominal)	9FS = 90 CRI min, 5-color selectable CCT	1E = 120V, phase cut 5% dimming	-4PK = 4 pack kit including driver
Notes	Notes	Notes	Notes	Notes

Additional Fixtures⁽¹⁾

Driver **NOT** included. Connect additional fixtures to Low Voltage Lighting Kit.

Model	Lumens	CRI/CCT	Driver
HLBQL4 = 4-inch HLB QuickLink Low Voltage Lighting	06 = 600 lumens (nominal)	9FS = 90 CRI min, 5-color selectable CCT	1E = 120V, phase cut 5% dimming
Notes	Notes	Notes	Notes

(1) Maximum 7 fixtures per driver.

Accessories

Accessories	
Mounting Frames HL4RSMF = 4" mounting frame (for round or square canless direct mount lights) ⁽²⁾	Designer Trims HLB4RTRMMW = 4" round decorative overlay, matte white HLB4RTRMSN = 4" round decorative overlay, satin nickel HLB4RTRMTBZ = 4" round decorative overlay, tuscan bronze
Oversized Trim Ring HLB4ROTMW = 4" round oversized trim, matte white	
Notes	
(2) Due to its size, the QuickLink Remote Driver must mount to the building structure, not a mounting frame.	

Fixture Count		
Model	Watts per Downlight	Max Downlights
HLB4 Phase Cut	7.8 W	7

Product Specifications

Modules

- Die-cast aluminum mounting frame with integral flange provides passive thermal cooling
- Achieves L70 at 50,000 hours in IC and non-IC applications
- High impact diffuse lens provides shielding to the light guide minimizing pixilation

Gaskets

- Closed cell gasket achieves restrictive airflow requirements without additional caulking

LED Array

- Plurality of mid power LED's provides a uniform source with high efficiency and long life
- 90 color rendering index (CRI) minimum; R9 greater than 50 provides high color rendering
- Field selectable color temperature, select 2700K, 3000K, 3500K, 4000K or 5000K CCT; color accuracy within 4 SDCM
- Meets ENERGY STAR® color angular uniformity requirements

Optical Assembly

- Precision acrylic light guide organizes source flux into wide distribution with 1.4 spacing criteria, useful for general area illumination

Junction Box

- Pre-galvanized steel driver/junction box with captive hinged junction box cover
- Hinged junction box for easier installation into ceiling plenum
- Three 1/2" conduit pry-outs
- Two Slide-N-Side™ non-metallic (NM) wire traps allows wiring outside the box
- Accepts NM cable types: 14-2, 14-3, 12-2, 12-3 (U.S.) and 14-2, 14-3, 12-2 (Canadian)
- Three 4-port push wire nuts with clear caps for quick and reliable mains voltage connections
- Integral mounting holes facilitate direct mounting to building structure

Driver

- 70W 120V, providing noise free operation
- Continuous flicker-free dimming down to 5% with select phase cut dimmers
- Inline electrical quick connect provides low voltage connection to fixture fitting

Installation

- Can be installed in 1/2" to 1-1/4" thick ceilings
- Heat treated springs hold fixture fitting securely in the ceiling
- Halo QuickLink Quick Connectors allow for quick installation of additional fixtures

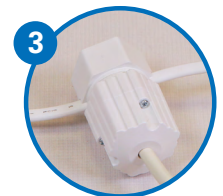
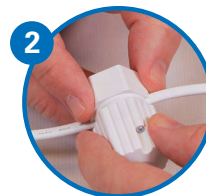
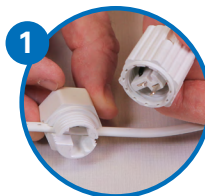
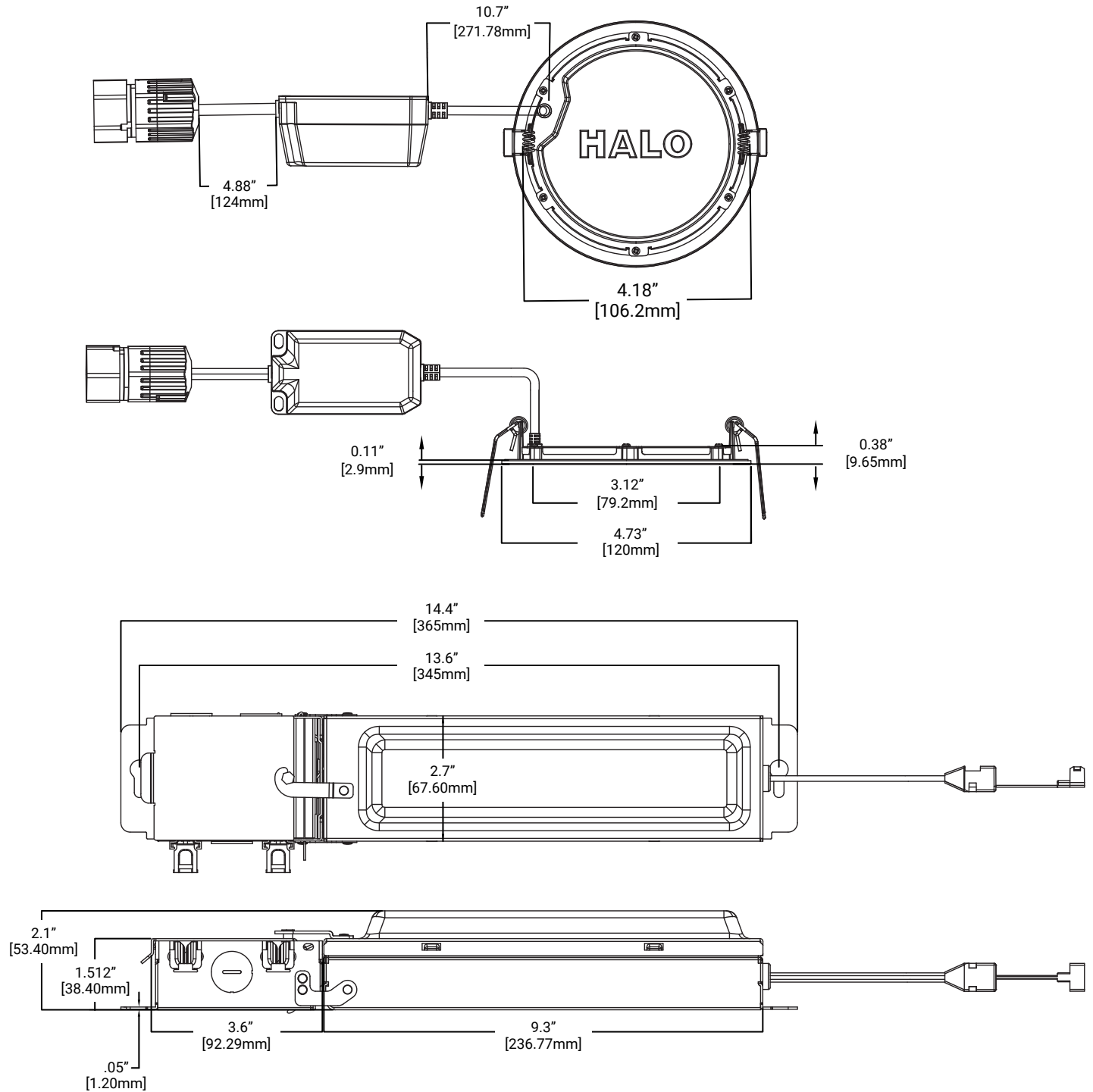
Compliance

- UL Certified for US and Canada
- NOTE:** Not for use in direct contact with spray foam insulation, reference NEMA LSD57-2013
- Wet location listed and IP44 ingress protection
- Air-tite per ASTM-E283-04
- Suitable for use in clothes closets when installed in accordance with the NEC 410.16 spacing requirements
- EMI/RFI emissions per FCC 47CFR Part 15 consumer limits
- Contains no mercury or lead and RoHS compliant
- Photometric testing in accordance with IES LM-79-08
- Lumen maintenance projections in accordance with IES LM-80-08 and TM-21-11
- Compliant with California Title 24 High Efficiency LED under JA8, reference Modernized Appliance Efficiency Database System (MAEDBS) for 2019 JA8 High Efficacy Lighting
- ENERGY STAR® certified (reference "Certified Light Fixtures" database)

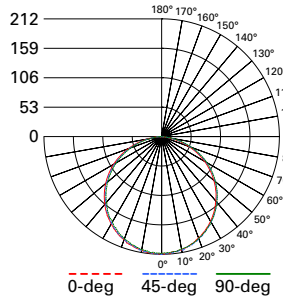
Warranty

- Five year limited warranty, consult website for details. www.cooperlighting.com/legal

Dimensional and Mounting Details



Photometric Data



HLBQL4069FS1E-3000K-UNIT

Spacing criterion: (0-180) 1.30
(90-270) 1.34
(Diagonal) 1.40

Beam Angle: 111.2°

Field Angle: 162.3°

Lumens: 640

Input Watts: 7.8 W

Efficacy: 82.1 LPW

Test Report:

HLBQL4069FS1E-3000K-UNIT.ies

Zonal Lumen	Lumens	% Lumens
0-30	176	27.6
0-40	291	45.6
0-60	510	79.6
0-90	640	100

TM-30-15	Rf = 92
	Rg = 99
CRI/CIE	Ra = 93
	R9 = 74

CCT - Range of 2700K- 5000K



111°

Note: Lumen output may decrease based on distance from power supply and quantity of LED heads used.

Energy Data - 4 Pack Kit

Lumens	2560 lm @ 3000K
Input Voltage	120V
Input Current	.325 (A)
Input Power	38 (W)
Efficiency	67.4 (LPW)
Inrush (A)	16 A @ 700 μS
THD	≤ 20%
PF:	≥ 0.9
T Ambient	-30 - +40°C
Sound Rating	≤ 22 dba

Product Specifications

HLBQL4069FS1E

PRODUCT SPECIFICATIONS	
Lumens	640
Watts	7.8
Lumens Per Watt (Efficacy)	82.1
Color Accuracy (CRI)	93
Light Color (CCT) Correlated Color Temperature (CCT)	3000K
2700K	3000K
4500K	6500K

HLBQL4069FS1E - Individual Fixture					
	CCT	Watts	Lumens	LPW	CRI
Individual Downlight 650LM	2700K	7.8	620	79.5	93
	3000K	7.8	640	82.1	93
	3500K	8.0	650	81.3	94
	4000K	8.0	665	83.1	94
	5000K	8.0	670	83.8	93

HLBQL4069FS1E-4PK - System					
	CCT	Watts	Lumens	LPW	CRI
4PK-System 2600ILM	2700K	38.1	2480	65.1	93
	3000K	38.0	2560	67.4	94
	3500K	38.1	2600	68.2	94
	4000K	38.1	2660	69.8	94
	5000K	38.1	2680	70.3	93