

**Description**

The Halo RA56 SeleCCTable™ LED Adjustable Gimbal is a complete LED Baffle-Trim Module for 5-Inch or 6-Inch aperture recessed downlights. It is suitable for new construction, remodel and retrofit installation. Using the CCT selectable switch users can choose between five different color temperatures. The RA56 SeleCCTable Gimbals feature adjustment of 35-degree tilt and up to 360-degree rotation.

Catalog #		Type
Project		
Comments		Date
Prepared by		

**Specification Features**

**CCT Select System**

- Use the switch to choose between 2700K, 3000K, 3500K, 4000K, and 5000K CCT.

**Module - Trim**

- Module construction includes LED array, heat sink, reflector, lens, baffle and trim ring.
- Regressed baffle
- Heat sink designed to conduct heat away from the LED array, keeping the junction temperatures below specified maximums, even when installed in insulated ceiling environments.
- Up to 360-degree rotation
- 35-degree tilt
- Halo matte white paint finish

**LED Array**

- Mid power LED array provides a uniform source with high efficiency and no pixilation.
- 90 CRI minimum, R9 greater than 50
- Color accuracy at 4 SDCM in between endpoints, provide color accuracy and uniformity.
- Color Temperature (CCT) has a selectable range from 2700K to 5000K (factory default 3000K)

**Optical Assembly**

- Regressed lens
- Impact-resistant polycarbonate
- Convex form and lamp-like appearance
- Diffuse for even illumination

**Driver**

- Integral 120V 60 Hz constant current driver provides noise free operation
- Continuous, flicker-free dimming from 100% to 5%.
- Inline electrical quick connect and E26 adapter (provided) provides mains connections
- See Dimming Guide for compatible dimmers

**Retention**

- Integral torsion springs and Push-N-Twist clips offer two mounting options
- Torsion springs are pre-installed and adjust to fit 5" or 6" compatible housings
- Push-N-Twist universal installation clips are pre-installed and designed to fit 5" or 6" compatible housings

**Gaskets**

- Closed cell gaskets achieve restrictive airflow requirements without additional caulking

**Compliance**

- UL Certified
- Damp location listed.
- EMI/RFI emissions per FCC 47CFR Part 15 consumer limits
- Contains no mercury or lead and RoHS compliant
- Photometric testing in accordance with IES LM-79-08
- Lumen maintenance projections in accordance with IES LM-80-08 and TM-21-11
- Can be used for State of California Title 24 high efficacy luminaire compliance. Complies with Title 24 JA8-2016-E.
- Can be used International Energy Conservation Code (IECC) high efficiency luminaire compliance.
- ENERGY STAR® listed, reference database for current listings

**Warranty**

Five year limited warranty, consult website for details. [www.cooperlighting.com](http://www.cooperlighting.com)



**RA56**

**5-Inch/6-Inch All-Purpose LED Retrofit Module with SeleCCTable switch**

**600 Lumen Series**

**FOR USE IN INSULATED CEILING AND NON-INSULATED CEILING RATED HOUSINGS**

**HIGH-EFFICACY LED WITH INTEGRAL DRIVER - DIMMABLE**

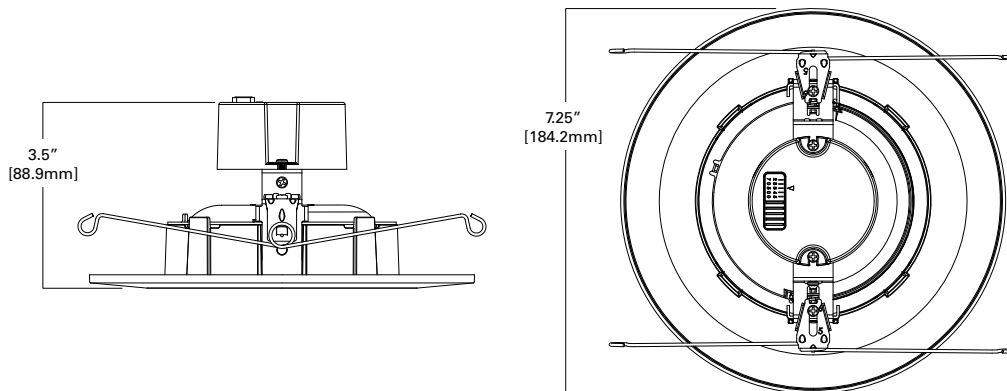


2700K • 3000K • 3500K  
4000K • 5000K



Refer to ENERGY STAR® Certified Products List. Can be used to comply with California Title 24 High Efficacy requirements. Certified to California Appliance Efficiency Database under JA8.

**Dimensions**



**ENERGY DATA @ 3000K**

Lumens	600 Series
Input Voltage	120V
Input Current	.065 (mA)
Input Power	7.0 (W)
Efficiency	90 %
Inrush (A)	.91
THD:	≤ 20%
PF:	≥ 0.90
T Ambient	-30 - +40°C
Sound Rating	≤ 20dba

## Ordering Information

**SAMPLE NUMBER:** RA56069S1EWH

A complete luminaire consists of a housing, and LED module, order separately.

Models	Lumens	CRI/CCT	Driver	Finish
<b>RA56</b> = 5/6" LED Adjustable Gimbal	<b>06</b> =600 lumens (nominal)	<b>9S</b> =90 CRI minimum, white tuning, selectable CCT 2700K-5000K	<b>1E</b> =120V 60Hz leading or trailing edge phase cut 1% dimming	<b>WH</b> =Matte white baffle

### Housings

#### Halo LED 5-inch

**H550ICAT**= 5" LED, Insulated Ceiling, Air-Tite, New Construction Housing  
**H550RICAT**= 5" LED, Insulated Ceiling, Air-Tite, Remodel Housing  
**E550ICAT**= 5" LED, Insulated Ceiling, Air-Tite, New Construction Housing  
**E550RICAT**= 5" LED, Insulated Ceiling, Air-Tite, Remodel Housing

#### Halo LED 6-inch

**H750ICAT**= 6" LED, Insulated Ceiling, Air-Tite, New Construction Housing  
**H750RICAT**= 6" LED, Insulated Ceiling, Air-Tite, Remodel Housing  
**H750T**= 6" LED, Non-IC, Air-Tite, New Construction Housing  
**H750TCP**= 6" LED, Non-IC, New Construction/Remodel Chicago Plenum Housing  
**H2750ICAT**= 6" LED, Shallow, Insulated Ceiling, Air-Tite, New Construction (use with 691X, 694X, 696X trims only)  
**H2750RICAT**= 6" LED, Shallow, Insulated Ceiling, Air-Tite, Remodel (use with 691X, 694X, 696X trims only)  
**E750ICAT**= 6" LED, Insulated Ceiling, Air-Tite, New Construction Housing  
**E750RICAT**= 6" LED, Insulated Ceiling, Air-Tite, Remodel Housing

#### Halo LED retrofit

**ML7E26RFK**= 6" Retrofit Enclosure, Non-IC, E26 Screw base Interface  
**ML7BXFK**= 6" Retrofit Enclosure, Non-IC, BX Whip

#### Halo Shallow Housings 5-inch

**H25ICAT**= 5" Shallow, Insulated Ceiling, Air-Tite New Construction  
**H25RICAT**= 5" Shallow, Insulated Ceiling, Air-Tite Remodel  
**H25ICATNB**= 5" Shallow, Insulated Ceiling, Air-Tite New Construction, No Socket Bracket

#### Halo Shallow Housings 6-inch

**H27ICAT**= 6" Shallow, Insulated Ceiling, Air-Tite New Construction  
**H27RICAT**= 6" Shallow, Insulated Ceiling, Air-Tite Remodel Housing  
**H27T**= 6" Shallow, Non-IC, New Construction Housing  
**H27RT**= 6" Shallow, Non-IC, Remodel Housing  
**E27ICAT**= 6" Shallow, Insulated Ceiling, Air-Tite New Construction  
**E27RICAT**= 6" Shallow, Insulated Ceiling, Air-Tite Remodel Housing  
**E27TAT**= 6" Shallow, Non-IC, New Construction Housing  
**E27RTAT**= 6" Shallow, Non-IC, Remodel Housing

#### Halo Standard Housings 5-inch

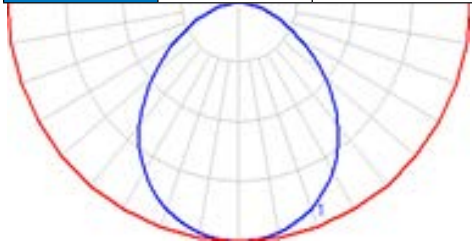
**H5ICAT**= 5" Insulated Ceiling, Air-Tite New Construction Housing  
**H5RICAT**= 5" Insulated Ceiling, Air-Tite Remodel Housing  
**H5ICATNB**= 5" Insulated Ceiling, Air-Tite New Construction Housing, No Socket Bracket  
**H5T**= 5" Non-IC, New Construction Housing  
**H5RT**= 5" Non-IC, Remodel Housing  
**H5TNB**= 5" Non-IC, New Construction Housing, No Socket Bracket  
**E5ICAT**= 5" Insulated Ceiling, Air-Tite New Construction Housing  
**E5RICAT**= 5" Insulated Ceiling, Air-Tite Remodel Housing  
**E5ICATNB**= 5" Insulated Ceiling, Air-Tite New Construction Housing, No Socket Bracket  
**E5TAT**= 5" Non-IC, New Construction Housing  
**E5RTAT**= 5" Non-IC, Remodel Housing  
**E5TATNB**= 5" Non-IC, New Construction Housing, No Socket Bracket

#### Halo Standard Housings 6-inch

**H7ICAT**= 6" Insulated Ceiling, Air-Tite New Construction Housing  
**H7RICAT**= 6" Insulated Ceiling, Air-Tite Remodel Housing  
**H7ICT**= 6" Insulated Ceiling, New Construction Housing  
**H7RICT**= 6" Insulated Ceiling, Remodel Housing  
**H7ICATNB**= 6" Insulated Ceiling, Air-Tite New Construction Housing, No Socket Bracket  
**H7ICTNB**= 6" Insulated Ceiling, New Construction Housing, No Socket Bracket  
**H7T**= 6" Non-IC, New Construction Housing  
**H7RT**= 6" Non-IC, Remodel Housing  
**H7TNB**= 6" Non-IC, New Construction Housing, No Socket Bracket  
**H7TCP**= 6" Non-IC, Chicago Plenum, New Construction/Remodel Housing  
**H7UICAT**= 6" Insulated Ceiling, Universal, Air-Tite, New Construction Housing  
**E7ICAT**= 6" Insulated Ceiling, Air-Tite New Construction Housing  
**E7RICAT**= 6" Insulated Ceiling, Air-Tite Remodel Housing  
**E7ICATNB**= 6" Insulated Ceiling, Air-Tite New Construction Housing, No Socket Bracket  
**E7TAT**= 6" Non-IC, New Construction Housing  
**E7RTAT**= 6" Non-IC, Remodel Housing  
**E7TATNB**= 6" Non-IC, New Construction Housing, No Socket Bracket

**Photometric Data**

RA56069S1EWHR-3000K		
Luminaire lumens		630
Input watts		7.0
LER (LPW)		90
Spacing Criteria	0-180	1.21
	90-270	1.21
	Diagonal	1.29
Beam angle (degrees)		98.1
Field angle (degrees)		151.4
Zonal lumen	Lumens	% Lumens
0-30	201	31.9
0-40	324	51.4
0-60	532	84.5
0-90	630	100



\* Tested in accordance with IES LM63. Field results may vary.

**Product Specifications**

### PRODUCT SPECIFICATIONS

<b>Lumens</b>	<b>630</b>
<b>Watts</b>	<b>7.0</b>
<b>Lumens Per Watt (Efficacy)</b>	<b>90</b>
<b>Color Accuracy (CRI)</b>	<b>93</b>
<b>Light Color (CCT)</b>	<b>3000K</b>
Correlated Color Temperature (CCT)	
warm white	soft white
2700K	3000K
4500K	6500K