

Project		Catalog #		Type	
Prepared by		Notes		Date	



# HALO

## RA6-DM

6" LED Direct Mount Adjustable Gimbal  
w/ Remote Driver/Junction Box  
600 Lumen Series

### Typical Applications

Residential

### Interactive Menu

- Order Information page 2
- Product Specifications page 2
- Photometric Data page 3
- Energy & Performance Data page 3
- Product Warranty

### Product Certification



Refer to ENERGY STAR® Certified Products List.  
Can be used to comply with California Title 24 High Efficiency requirements.  
Certified to California Appliance Efficiency Database under JAB.

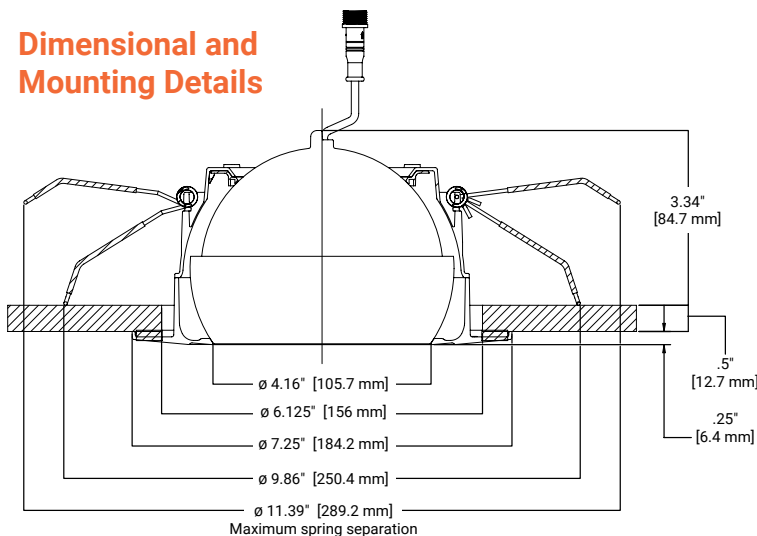
### Product Features



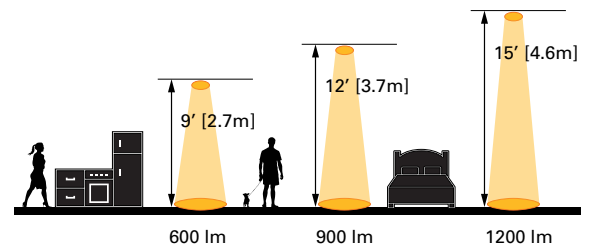
### Top Product Features

- 6" Direct Mount Field Selectable CCT LED Adjustable Gimbal
- Adjustable gimbal offers 35-degree tilt and up to 360-degree rotation
- Direct mount - does not require recessed housing or junction box
- Select from 5 CCTs via switch; 2700K, 3000K, 3500K, 4000K, 5000K CCT
- Dimmable to 5% with 120V dimmers

### Dimensional and Mounting Details



### Scale



## Order Information\*

SAMPLE ORDER NUMBER: **RA6069S1EWHDMR**

A complete luminaire consists of an LED module and remote driver/junction box.

Models	Lumens	CRI/CCT	Driver	Finish	Mounting	Packaging
<b>RA6=</b> 6" All-Purpose LED Adjustable Gimbals	<b>06</b> = 600 lumens (nominal)	<b>9S</b> = 90 CRI minimum, white tuning, selectable CCT 2700K-5000K	<b>1E</b> = 120V 60Hz leading or trailing edge phase cut 5% dimming	<b>WH</b> = Matte white baffle	<b>DM</b> = Direct Mount	<b>R</b> = recyclable 4-color unit carton suitable for point of purchase merchandising display
<b>Notes</b>	<b>Notes</b>	<b>Notes</b>	<b>Notes</b>	<b>Notes</b>	<b>Notes</b>	<b>Notes</b>

## Product Specifications

### CCT Select System

- SeleCCTable models use the switch to choose between 2700K, 3000K, 3500K, 4000K, and 5000K CCT.

### Module - Trim

- Module construction includes LED Array, heat sink, reflector, lens, baffle and trim ring.
- Regressed baffle
- Heat sink designed to conduct heat away from the LED Array
- Up to 360-degree rotation
- 35-degree tilt
- Halo matte white paint finish

### LED Array

- Mid power LED array provides a uniform source with high efficiency and no pixilation.
- 90 CRI minimum, R9 greater than 50
- Color accuracy within 3 SDCM at the CCT endpoints and 4 SDCM in between endpoints, provide color accuracy and uniformity.
- Color Temperature (CCT) has an selectable range from 2700K to 5000K (factory default 3000K)

### Optical Assembly

- Regressed lens
- Impact-resistant polycarbonate
- Convex form and lamp-like appearance
- Diffuse for even illumination

### Gaskets

- Closed cell gaskets achieve restrictive airflow requirements without additional caulking

### Remote Driver/ Junction Box

- Aluminum driver / junction box with captive hinged junction box cover
- Listed for (6) #12 AWG 90° C splice conductors, 2-in, 2-out plus (2) ground
- (2) ½" conduit pry-outs
- (2) Slide-N-Side™ non-metallic (NM) wire traps all
- Accepts 14-2, 14-3, 12-2, 12-3 U.S and 14-2, 14-3, 12-2 Canadian NM cable
- (3) 4-port push wire nuts with clear caps for quick and reliable mains voltage connections
- Integral keyhole mounting slots facilitate direct mounting to building structure or new construction mounting frame

### Driver

- Integral 120V 60 Hz constant current driver provides noise free operation
- Continuous, flicker-free dimming from 100% to 5%.
- Plenum rated inline electrical quick connect provides low voltage connection to fixture fitting

### Installation

- Can be installed in 3/8" to 1-1/4" thick ceilings
- Cutout can utilize standard round hole saw sizes, cutout template provided
- Heat treated springs hold fixture fitting securely in the ceiling eliminating light leaks
- Can be removed from below the ceiling for service or replacement

### Mounting / Retention

- The RA-DM requires no housing or third party junction box
- The remote enclosure may be used in direct contact with insulation.
- Installer must cut template out of drywall and install into aperture with the clips compressed.
- When released, the spring clips will rest on to the back side of the drywall
- Not for installation in recessed cans

### Compliance

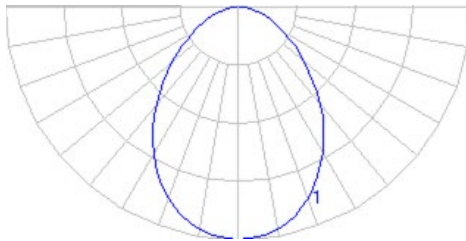
- UL Certified for US and Canada
- Wet and Damp location listed
- Airtight certified per ASTM-E283
- Suitable for use in clothes closets when installed in accordance with the NEC 410.16 spacing requirements
- EMI/RFI emissions per FCC 47CFR Part 15 consumer limits. Complies with Industry Canada ICES-005(B)/NMB-005(B)
- Contains no mercury or lead and RoHS compliant
- Photometric testing in accordance with IES LM-79-08
- Lumen maintenance projections in accordance with IES LM-80-08 and TM-21-11
- Can be used for State of California Title 24 high efficacy luminaire compliance. Complies with Title 24 JA8-2019-E.
- Can be used International Energy Conservation Code (IECC) and Washington State Energy Code high efficiency luminaire compliance.
- ENERGY STAR® listed, reference database for current listings

### Warranty

Five year limited warranty, consult website for details. [www.cooperlighting.com](http://www.cooperlighting.com)

## Photometric Data

RA6069S1EWHMDMR-3000K		
Luminaire lumens	778	
Input watts	8.3	
LER (LPW)	93.6	
Spacing Criteria	0-180	1.12
	90-270	1.12
	Diagonal	1.18
Beam angle (degrees)	85.0	
Field angle (degrees)	146	
Zonal lumen	Lumens	% Lumens
0-30	279.2	35.9
0-40	432.4	55.6
0-60	669.6	86.1
0-90	777.7	100



\* Tested in accordance with IES LM63. Field results may vary.

## Color Metric Summary - 3000K

TM-30-15	Rf = 91
	Rg = 97
CRI/CIE	Ra = 92
	R9 = 56



CCT - Range of 2700K- 5000K



## Product Specifications

PRODUCT SPECIFICATIONS	
Lumens	770
Watts	8.5
Lumens Per Watt (Efficacy)	90.9
Color Accuracy (CRI)	94
Light Color (CCT)	3000K
Correlated Color Temperature (CCT)	
2700K	3000K
4500K	6500K
warm white	soft white
bright white	

RA4-DM	CCT	Lumens	Power (W)	LPW
Field Selectable CCT	2700K	768	8.3	92.9
	3000K	778	8.3	93.6
	3500K	789	8.3	94.6
	4000K	799	8.4	95.5
	5000K	809	8.4	96.1

## Energy Data

Energy Data @ 3000K	
Lumens	600 Series
Input Voltage	120V
Input Current	71.8 (mA)
Input Power	8.5 (W)
Efficiency	90.9 %
Inrush (A)	1.5A@50μs
THD: ≤ 20%	
PF: ≥ 0.90	
T Ambient -30 - +40°C	
Sound Rating ≤ 22dba	

## Dimensional and Mounting Details

