



4" IC RATED LED NEW CONSTRUCTION JUNCTION BOX ADJUSTABLE DOWNLIGHT



FOR INSTALLATION INTO
FIRE RATED CEILING ASSEMBLIES

IC1JB 4RLA

Project: _____

Fixture Type: _____

Location: _____

Contact/Phone: _____

PRODUCT DESCRIPTION

4" IC LED Air-Loc® new construction junction box housing with energy efficient LED adjustable retrofit module for a complete accent lighting solution with up to 35 vertical aiming • May be installed in maximum 2 hour fire-rated ceiling assemblies per International Building Code Section 714 • Can be completely covered with insulation • Dimmable with most standard incandescent, magnetic low voltage and electronic low voltage dimmers • Designed to provide 50,000 hours of life • 5 year warranty.



PRODUCT SPECIFICATIONS – TRIM

Adjustable Trim Cast aluminum trim with white gimbal and flange • All-in-one design where LED light engine mounts directly to trim for ease of installation • Up to 35° vertical adjustment • Provided with push-in friction springs.

LED Light Engine LEDs mounted directly to aluminum housing designed to provide superior thermal management and ensure long life • 2700K or 3000K LED color temperature • 90 CRI minimum • Accommodates 120 volts AC at 60Hz • Dimmable with most standard incandescent, magnetic low voltage and electronic low voltage dimmers • For a list of compatible dimmers, see [JUNORETROBASICS-DIM](#).

Electrical Connections Trim features quick connect plug installed as standard for installation into IC1JB with quick connect whip.

Optical System Trims are offered with choice of 25° narrow flood or 65° wide flood beam patterns • LED source concealed with lensed optic.

Life Rated for 50,000 hours at 70% lumen maintenance.

PRODUCT SPECIFICATIONS – HOUSING

Junction Box Housing Designed for use in IC (insulated ceiling) or non-IC construction • Rough-in section (junction box, bar hangers) fully assembled for ease of installation • Painted steel 3-1/2" deep 4" square junction box • Provided with (4) 1/2"-3/4" concentric, (2) 1/2", (4) 3/4" and (2) 1" knockouts • cETLus listed for through-branch wiring, maximum 8 No. 12 AWG 90°C branch circuit conductors (4 in and 4 out).

Hardware Ships with retrofit mounting bracket, trim ring and quick connect whip

INSTALLATION

The IC1JB junction box housing must be installed per the International Building Code Section 714 guidelines to maintain up to 2 hour ceiling fire rating. Precise ceiling cutout required. For use with 1/2" - 1-1/4" ceiling thickness.

Real Nail® 3 Bar Hangers Telescoping Real Nail 3 system permits quick placement of housing anywhere within 24" O.C. joists or suspended ceilings • Bars scored in two locations for fast, clean breaking, allowing housing installation in tight applications • Captive bugle-headed ring shank nail for quick one-step installation and easy removal with claw hammer for fixture relocation • Integral T-bar notch for suspended ceilings • Locking set screw to lock junction box housing in position • Design covered under US Patent D552,969.

LISTINGS

Labels ENERGY STAR® certified • Certified to the high efficacy requirements of California T24 • Assembly ETL listed to UL1598 for US and Canadian through branch wiring, damp location • ETL listed to UL514A.

Testing All reports are based on published industry procedures; field performance may differ from laboratory performance.

Specifications subject to change without notice.

ORDERING INFORMATION

Ordering Example: IC1JB 4RLA G2 06LM 27K 90CRI NFL 120 FRPC WH

Junction box and trim can be ordered together or separate, but will always ship separately.

Series	Trim Series	Generation	Lumens	Color Temperature
IC1JB New Construction Junction Box for Fire Rated Ceiling Assemblies	4RLA 4" Juno Basics Retrofit Adjustable	G2 Generation 2	06LM 600 Nominal Lumens	27K 2700K 30K 3000K

Color Rendering Index	Distribution	Voltage	Driver	Finish	Options
90CRI 90+ CRI	NFL Narrow Flood WFL Wide Flood	120 120V	FRPC Forward/Reverse Phase Cut	WH White	L/SKTWHIP ¹ Less Socket Whip

Notes:
1 Required for shipments to California.

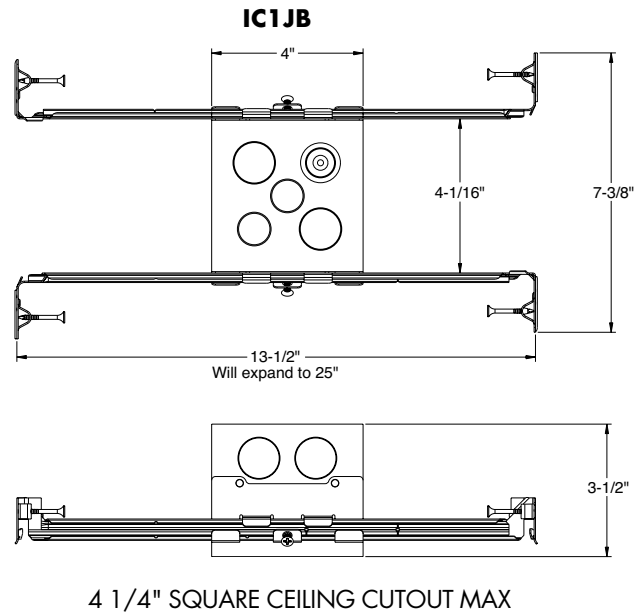
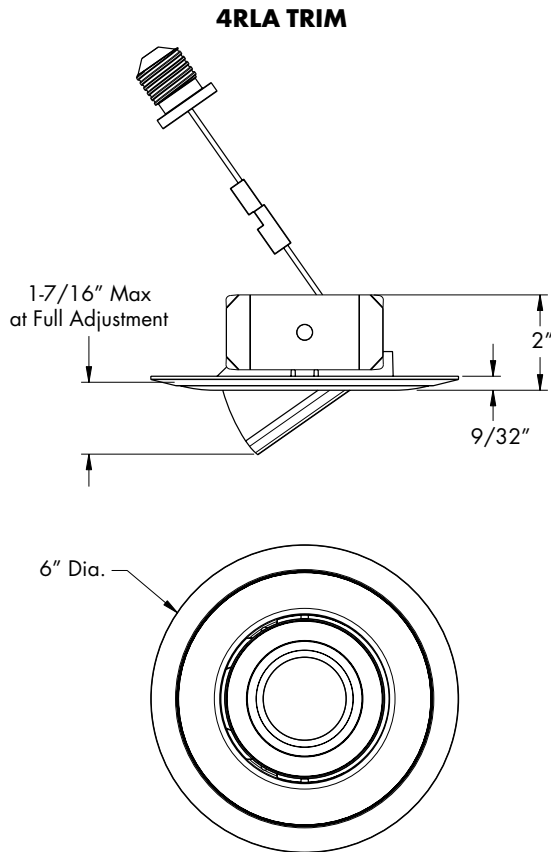


4" IC RATED LED NEW CONSTRUCTION JUNCTION BOX ADJUSTABLE DOWNLIGHT

FOR INSTALLATION INTO FIRE RATED CEILING ASSEMBLIES

IC1JB 4RLA

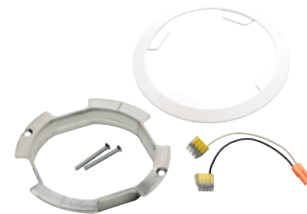
DIMENSIONS



4RLA PERFORMANCE DATA

	27K	30K
Input Voltage	120V	120V
Input Power Typical	10.5W	10.5W
Frequency	60Hz	60Hz
EMI/RFI	FCC Title 47, Part 15 Class B (consumer)	FCC Title 47, Part 15 Class B (consumer)
Minimum starting temp	-30°C (-22°F)	-30°C (-22°F)
CRI	90 min.	90 min.
CCT	2700K	3000K

RETROFIT MOUNTING BRACKET, TRIM RING AND QUICK CONNECT WHIP



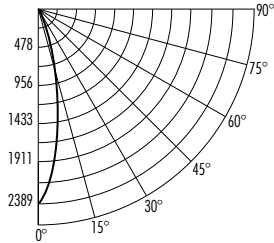
4" IC RATED LED NEW CONSTRUCTION JUNCTION BOX ADJUSTABLE DOWNLIGHT

FOR INSTALLATION INTO FIRE RATED CEILING ASSEMBLIES

IC1JB 4RLA

PHOTOMETRIC REPORT

Test Report#: PT11151101R
Catalog No: 4RLA G2 06LM 27K 90CRI NFL 120 FRPC WH
Luminaire Spacing Criteria: 0.42
Luminaire LPW: 60



CANDLEPOWER DISTRIBUTION (Candelas)

Degrees Vertical	0°
0	2389
5	2105
15	864
25	253
35	79
45	26
55	10
65	6
75	2
85	0
90	0

Multiplier: 3K - 1.03

AVERAGE INITIAL FOOTCANDLES Multiple Units (Square Array, 60'x60' room)

Ceiling 80%, Walls 50%, Floors 20%

Spacing	RCR1	RCR3	RCR5
4'	44	40	36
5'	28	25	23
6'	20	18	16
7'	16	14	13
8'	13	11	10
9'	10	9	8
10'	7	6	6

ZONAL LUMEN SUMMARY

Zone	Lumens	%Lamp	%Fixture
0-30°	544	N/A	85.7
0-40°	595	N/A	93.8
0-60°	626	N/A	98.7
0-90°	634	N/A	100.0

INITIAL FOOTCANDLES (One Unit: 10.5W, 24.3° Beam)

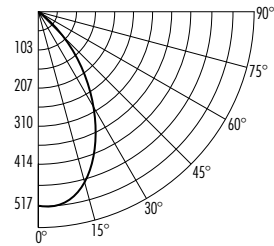
Distance to Illuminated Plane (Feet)	Footcandles Beam Center	Beam Diameter
4'	149.3	1.7
6'	66.4	2.6
8'	37.3	3.4
10'	23.9	4.3

LUMINANCE (Average cd/m²)

Angle in Degrees	Average 0-90°
45°	17578
55°	8505
65°	6215
75°	4531
85°	538

PHOTOMETRIC REPORT

Test Report#: PT10151401R
Catalog No: 4RLA G2 06LM 27K 90CRI NFL 120 FRPC WH
Luminaire Spacing Criteria: 1.02
Luminaire LPW: 62



CANDLEPOWER DISTRIBUTION (Candelas)

Degrees Vertical	0°
0	517
5	513
15	474
25	384
35	228
45	101
55	50
65	21
75	5
85	0
90	0

Multiplier: 3K - 1.03

AVERAGE INITIAL FOOTCANDLES Multiple Units (Square Array, 60'x60' room)

Ceiling 80%, Walls 50%, Floors 20%

Spacing	RCR1	RCR3	RCR5
4'	44	37	31
5'	28	24	20
6'	20	16	14
7'	16	13	11
8'	13	11	9
9'	10	8	7
10'	7	6	5

ZONAL LUMEN SUMMARY

Zone	Lumens	%Lamp	%Fixture
0-30°	356	N/A	54.7
0-40°	498	N/A	76.6
0-60°	623	N/A	95.8
0-90°	650	N/A	100.0

INITIAL FOOTCANDLES (One Unit: 10.5W, 66.7° Beam)

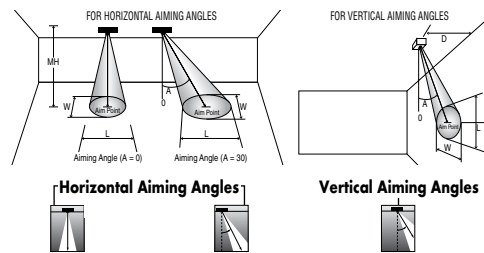
Distance to Illuminated Plane (Feet)	Footcandles Beam Center	Beam Diameter
4'	32.3	5.3
6'	14.4	7.9
8'	8.1	10.5
10'	5.2	13.2

LUMINANCE (Average cd/m²)

Angle in Degrees	Average 0-90°
45°	99567
55°	60770
65°	34529
75°	14162
85°	0

CBCP • Centerbeam candlepower
FC • Footcandles at beam center (aim point)

In vertical aiming applications, aim point (X) is determined by dividing distance from the wall (D) by the tangent of the desired aim angle (A) (0.5774 for 30°, 1.0 for 45°).



FIXTURE	Beam Type	Beam Spread°	CBCP	0°			30°			30°					
				MH	FC	L	W	FC	L	W	D	FC	X	L	W
With Wide Flood Optic	WFL	65°	517	3	57	3.8	3.8	37	5.9	4.4	1	65	1.7	*	2.5
				4	32	5.1	5.1	21	7.9	5.9	2	16	3.5	*	5.1
				5	21	6.4	6.4	13	9.8	7.4	3	7	5.2	*	7.6
				6	14	7.6	7.6	9	11.8	8.8	4	4	6.9	*	10.2
				7	11	8.9	8.9	7	13.8	10.3	5	3	8.7	*	12.7
With Narrow Flood Optic	NFL	25°	2389	3	265	1.3	1.3	172	1.8	1.5	1	299	1.7	2.1	0.9
				4	149	1.8	1.8	97	2.4	2.0	2	75	3.5	4.2	1.8
				5	96	2.2	2.2	62	3.0	2.6	3	33	5.2	6.2	2.7
				6	66	2.7	2.7	43	3.6	3.1	4	19	6.9	8.3	3.5
				7	49	3.1	3.1	32	4.2	3.6	5	12	8.7	10.4	4.4

*Covers full length of wall based on typical mounting heights of 8-12 feet.