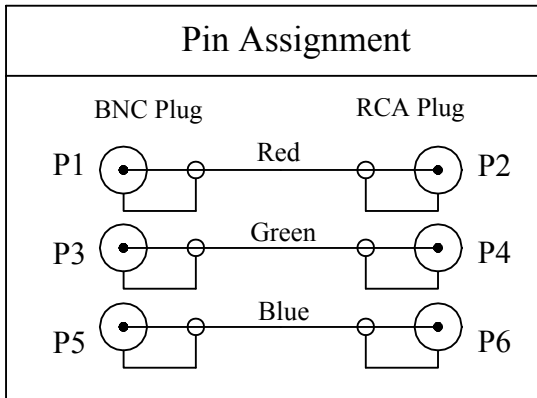
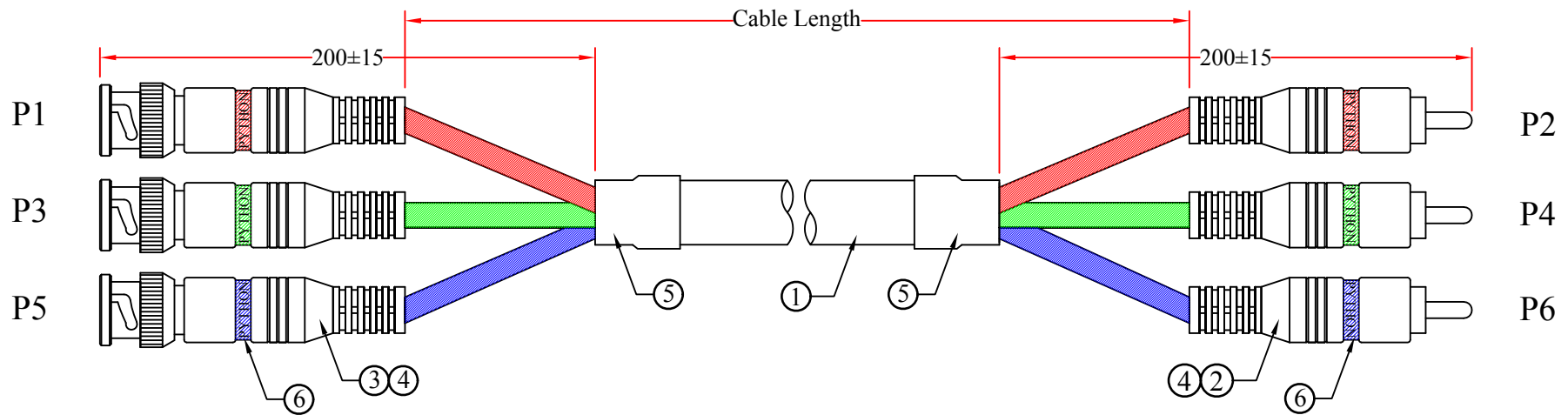


REV.	DESCRIPTION	DATE
A		



RoHS

**NOTES:**

1. Electrical Test:
  - (1) 100% Open Short & Miswire Test.
  - (2) Insulation Resistance 5 MΩ Min.

ITEM NUMBER		DRAWER	JL						
		CHECKED							
TITLE High Quality Component Conversion Video Cable 3 RCA Male to 3 BNC Male, 6 foot		APPROVED							
MATERIAL		SCALE							
REV. A		UNIT	INCH						
DRAWING NO:									
<table border="0" style="width: 100%;"> <tr> <td style="width: 5%; text-align: right;">NO.</td> <td style="width: 45%; text-align: center;">SPECIFICATIONS</td> <td style="width: 45%;"></td> </tr> <tr> <td></td> <td style="text-align: center;">BOM LIST</td> <td></td> </tr> </table>				NO.	SPECIFICATIONS			BOM LIST	
NO.	SPECIFICATIONS								
	BOM LIST								
6	Label :PYTHON								
5	Hot Shrink Tube ,Ivory PVC								
4	Ivory Molded PVC								
3	BNC Male, Brass, Shell Gold Plated								
2	RCA Male, Brass+ABS, Shell Gold Plated								
1	3Coaxia *[24AWG(1/0.51mm) Copper+FPE ID 2.5mm+AL/Foil+Braid 16/8/0.10CCS], 95% Coverage Inner Jacket OD:4.8mm, Color:Red / Green / Blue, OD: 12.5mm, Ivory PVC Outer Jacket								