



AV Connectivity, Distribution And Beyond...

**VIDEO WALLS VIDEO PROCESSORS**  
**VIDEO MATRIX SWITCHES**  
**EXTENDERS SPLITTERS WIRELESS**  
**CABLES & ACCESSORIES**

## Advanced Quad Screen Multiviewer



**Model #: DVI-SPLITPRO-4X**

© 2013 Avenview Inc. All rights reserved.

The contents of this document are provided in connection with Avenview Inc. ("Avenview") products. Avenview makes no representations or warranties with respect to the accuracy or completeness of the contents of this publication and reserves the right to make changes to specifications and product descriptions at any time without notice. No license, whether express, implied, or otherwise, to any intellectual property rights is granted by this publication. Except as set forth in Avenview Standard Terms and Conditions of Sale, Avenview assumes no liability whatsoever, and disclaims any express or implied warranty, relating to its products of Avenview Inc. is strictly prohibited.

## Product Application & Market Sectors



Corporate



House Of Worship



Military



Residential



Education



Industrial



Medical



Aviation



## TABLE OF CONTENTS

|       |  |    |
|-------|--|----|
| 1.    | GETTING STARTED .....  | 1  |
| 1.1   | IMPORTANT SAFEGUARDS.....  | 1  |
| 1.2   | SAFETY INSTRUCTIONS .....  | 1  |
| 1.3   | REGULATORY NOTICES FEDERAL COMMUNICATIONS COMMISSION (FCC) ..... | 2  |
| 2.    | INTRODUCTION .....   | 3  |
| 2.1   | PACKAGE CONTENTS .....   | 4  |
| 2.2   | BEFORE INSTALLATION.....   | 5  |
| 2.3   | PANEL DESCRIPTION.....   | 5  |
| 2.3.1 | DVI-SPLITPRO-4X REAR PANEL.....                                  | 5  |
| 2.4   | DVI-SPLITPRO-4X I/O CONNECTORS .....                             | 6  |
| 3.    | INSTALLATION.....  | 8  |
| 4.    | SOFTWARE INSTALLATION .....                                      | 8  |
| 5.    | SOFTWARE SETUP GUIDE .....                                       | 9  |
| 6.    | SOFTWARE CONFIGURATION.....                                      | 19 |
| 7.    | CASCADE INSTALLATION .....                                       | 20 |
| 8.    | FRONT PANEL CONTROLS.....  | 23 |
| 8.1   | FRONT PANEL PUSH BUTTONS DESCRIPTION .....                       | 23 |
| 8.2   | FRONT PANEL PUSH BUTTONS FUNCTIONS.....                          | 24 |
| 8.3   | SELECTING PIP WINDOW ARRANGEMENT .....                           | 24 |
| 9.    | ON SCREEN DISPLAY MENU TREE .....                                | 25 |
| 10.   | IR REMOTE CONTROL.....   | 26 |
| 11.   | SPECIFICATIONS .....   | 27 |
| 12.   | RESOLUTIONS COMPATIBILITY.....                                   | 28 |
| 12.1  | DVI / COMPONENT / VGA.....                                       | 28 |
| 12.2  | DVI-OUT .....  | 28 |
| 13.   | GENERAL TROUBLESHOOTING.....                                     | 29 |



## SECTION I: GETTING STARTED

### I.1 IMPORTANT SAFEGUARDS

Please read all of these instructions carefully before you use the device. Save this manual for future reference.

#### What the warranty does not cover

- Any product, on which the serial number has been defaced, modified or removed.
- Damage, deterioration or malfunction resulting from:
  - Accident, misuse, neglect, fire, water, lightning, or other acts of nature, unauthorized product modification, or failure to follow instructions supplied with the product.
  - Repair or attempted repair by anyone not authorized by us.
  - Any damage of the product due to shipment.
  - Removal or installation of the product.
  - Causes external to the product, such as electric power fluctuation or failure.
  - Use of supplies or parts not meeting our specifications.
  - Normal wear and tear.
  - Any other causes which does not relate to a product defect.
- Removal, installation, and set-up service charges.

### I.2 SAFETY INSTRUCTIONS

The Avenview DVI-SPLITPRO-4X Advanced Quad Screen Video Processor has been tested for conformance to safety regulations and requirements, and has been certified for international use. However, like all electronic equipment's, the DVI-SPLITPRO-4X should be used with care. Read the following safety instructions to protect yourself from possible injury and to minimize the risk of damage to the unit.




- ⚠ Do not dismantle the housing or modify the module.
- ⚠ Dismantling the housing or modifying the module may result in electrical shock or burn.
- ⚠ Refer all servicing to qualified service personnel.
- ⚠ Do not attempt to service this product yourself as opening or removing housing may expose you to dangerous voltage or other hazards
- ⚠ Keep the module away from liquids.
- ⚠ Spillage into the housing may result in fire, electrical shock, or equipment damage. If an object or liquid falls or spills on to the housing, unplug the module immediately.
- ⚠ Have the module checked by a qualified service engineer before using it again.
- ⚠ Do not use liquid or aerosol cleaners to clean this unit. Always unplug the power to the device before cleaning.



## 1.3 REGULATORY NOTICES FEDERAL COMMUNICATIONS COMMISSION (FCC)

This equipment has been tested and found to comply with Part 15 of the FCC rules. These limits are designed to provide reasonable protection against harmful interference in a residential installation.

Any changes or modifications made to this equipment may void the user's authority to operate this equipment.

| Warning symbols   | Description  |
|---|--|
|    | <p>ONLY USE THE PROVIDED POWER CABLE OR POWER ADAPTER SUPPLIED. DO NOT TAMPER WITH THE ELECTRICAL PARTS. THIS MAY RESULT IN ELECTRICAL SHOCK OR BURN.</p>  |
|    | <p>DO NOT TAMPER WITH THE UNIT. DOING SO WILL VOID THE WARRANTY AND CONTINUED USE OF THE PRODUCT.</p>  |
|  | <p>THE VIDEO BOARDS ARE VERY SENSITIVE TO STATIC. PLEASE ENSURE IF RACK MOUNTED OR INSTALLED ON A SURFACE, IT SHOULD BE IN A GROUNDED ENVIROMENT.</p>  |
|  | <p><b>⚠ WARNING</b></p> <p>Read &amp; understand user guide before using this device.</p> <p>Failure to follow the proper installation instructions could result in damage to the product and preventing expected results.</p> |



## 2. INTRODUCTION

The **DVI-SPLITPRO-4X Advanced Quad Screen Multiviewer with IR Remote Control** is an advanced video processor for most multimedia presentations. This unit is an ideal solution for applications where four video signals must be displayed on a single display. It supports up to 16 types of video inputs, of which four can be outputted simultaneously with the desired display layout through software control. The advanced video processor allows you to manipulate the output images to various sizes and multiple positions on the desired display. This unit can be controlled with the ease of the front panel buttons, IR remote and RS232 via a cable or control system, this functionality allows the user to easily set the desired outputs by 5 preset layouts or 8 custom layouts saved by the user.

The embedded scaler converts signals from input sources to match the native resolution of monitors, flat panel displays, projectors as well as user-selectable output settings up to WUXGA (1920x1200). Dual outputs are provided in both analog (VGA) and digital (DVI) or (DVI/HDMI) format, one is connected to remote display and the other is connected to on-site display for real time monitoring.

- Support six most popular video formats: four VGA, four DVI/HDMI, four component, four S-Video and four composite inputs
- Input resolution support from 640x480 to 1920x1200, interlaced or progressive.
- DVI & HDMI
- Support HDCP 1.1
- Dual outputs (DVI / VGA), 640x480 to 1920x1200.
- Video background available.
- Adjustable size & position through software.
- Dynamic transition for video sizing and positioning
- Titles, borders and colored backgrounds.
- Resize, position, zoom & pan and blend output video.
- Image parameters and layouts are automatically saved in flash memory and can be recalled for later use.
- Several Image parameters and layouts can be saved in computers and can be loaded for later use.
- Video parameters adjustable (brightness, contrast, color temperature, etc.).
- User-selectable output settings, up to 1920x1200.
- Use as a Video Splitter, a Video Converter and a Video Switcher.
- Firmware upgradable for support of new features and technology enhancements.
- Control through RS-232/RS-485 over Cat-5 and IR Remote Control
- Can be cascaded to obtain more images using RS-485 control path
- Control protocol available for customer proprietary design
- IRU Size



## 2.1 PACKAGE CONTENTS

Before you start the installation of the converter, please check the package contents.

|    |                                  |    |   |
|----|----------------------------------|----|---|
| 1  | DVI-SPLITPRO-4X                  | X1 |    |
| 2  | DVI – DVI & VGA BREAKOUT CABLE   | X4 |    |
| 3  | VGA TO COMPONENT BREAKOUT CABLE  | X4 |    |
| 4  | DVI TO VGA ADAPTER               | X4 |    |
| 5  | Y CABLE –S-VIDEO TO S-VIDEO-CVBS | X4 |    |
| 6  | RACK MOUNTING KIT                | X1 |  |
| 7  | RS232 TO USB ADAPTER             | X1 |  |
| 8  | IR REMOTE CONTROL                | X1 |  |
| 9  | SOFTWARE CD                      | X1 |  |
| 10 | AC POWER SUPPLY                  | X1 |  |
| 11 | USER'S MANUAL                    | X1 |  |



## 2.2 BEFORE INSTALLATION

- Put the product in an even and stable location. If the product falls down or drops, it may cause an injury or malfunction.
- Don't place the product in too high temperature (over 50°C), too low temperature (under 0°C) or high humidity.
- Use the DC power adapter with correct specifications. If inappropriate power supply is used then it may cause a fire.
- Do not twist or pull by force ends of the video cable. It can cause malfunction.

## 2.3 PANEL DESCRIPTION

Avenview Advanced Quad Screen Video Processor (DVI-SPLITPRO-4X) has 16 inputs and accepts both graphics and video signals, which come from computers (DVI or VGA), composite, and component video sources respectively. You can pick up four of the ten inputs and then display four of them simultaneously on the same screen.

### 2.3.1 DVI-SPLITPRO-4X REAR PANEL



*To reset the DVI-SPLITPRO-4X to factory default settings: Turn on the DVI-SPLITPRO-4X then switch both DIP Switches simultaneously up and down to reset the unit to factory default settings*

**Please note:** *The DIP switches on the back of the DVI-SPLITPRO-4X should always be on OFF mode (up position). ON Mode (down position) should be used only for firmware updates*



The DVI input and output on the DVI-SPLITPRO-4X is also compatible with HDMI. Please see the example of the cable above to use.

*Note: Cable not included with packaging contents DVI to HDMI*





## 2.4 DVI-SPLITPRO-4X I/O CONNECTORS

Avenview DVI-SPLITPRO-4X has 16 inputs and accepts both graphics and video signals, which come from computers (DVI or VGA), composite, and component video sources respectively. You can pick up four of the ten inputs and then display four of them simultaneously on the same screen.

| CONNECTORS |  | VIDEO SOURCE   |
|------------|--|--|
| INPUT      | DVI, COMPONENT, VGA,<br>COMPOSITE, S-VIDEO | DVI  |
|            |  | HDMI<br>(DVI to HDMI Cable or Adapter)*NOT SUPPLIED*                   |
|            |  | VGA<br>(DVI to VGA Adapter)  |
|            |  | Component (YPbPr)<br>(DVI to VGA Adapter and VGA to Component Adapter) |
|            |  | Composite  |
|            |  | S-Video  |
| OUTPUT     | DVI-I OUT                                  | <b>Display</b>   |
|            |  | 1 x DVI Display (1 x DVI/HDMI Display)                                 |
|            |  | VGA Display<br>(DVI to VGA Adapter)                                    |
|            |  | 1 x DVI Display & 1 x VGA Display<br>(through DVI to DVI/VGA Y Cable)  |



# DVI-SPLITPRO-4X

## LAYOUT 1

MONITOR/TV  
Preset layout 1

- CABLE INDEX**
- Output
  - Input / Source
  - RS-232



Preset Layout 2

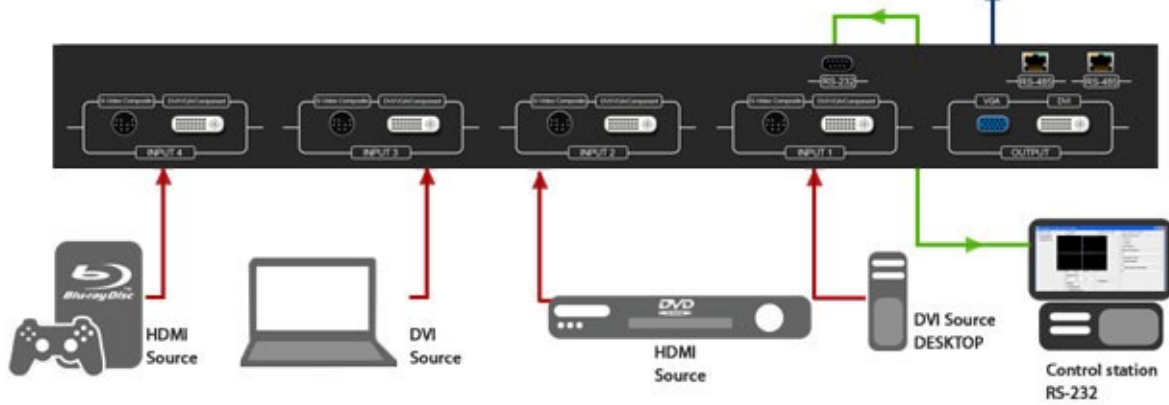
|   |   |
|---|---|
| 1 | 2 |
| 3 | 4 |

Preset Layout 3

|   |   |   |
|---|---|---|
| 1 |   |   |
| 2 | 3 | 4 |

Preset Layout 4

|   |   |   |
|---|---|---|
| 2 | 3 | 4 |
| 1 |   |   |



### 3. INSTALLATION

To setup Avenview DVI-SPLITPRO-4X follow these steps for connecting to a device:

1. Mount or fix the DVI-SPLITPRO-4X safely
2. Switch off DVI-SPLITPRO-4X and all source devices and displays that will be connected
3. Connect a monitor, projector, other displays that come with DVI / VGA inputs by using 1 male – male DVI cable to DVI-SPLITPRO-4X DVI output. (you can connect 2 displays equipped with DVI and VGA respectively by DVI – DVI/VGA Y cable
4. Plug-in DVI to DVI/VGA breakout cable to DVI-Component-VGA and plug in VGA to Component adapter to VGA connector of the breakout cable
5. Connect a device equipped with DVI output (such as PC) to the DVI connector of the breakout cable
6. Connect a device equipped with the component video output to 3-RCA jack of the Component video adapter
7. Connect a device with VGA output (such as laptop) to VGA connector of DVI-SPLITPRO-4X
8. Connected a device with Composite or S-Video video output to composite input of DVI-SPLITPRO-4X through S-Video / Composite Y cable.
9. Connect your computer to DVI-SPLITPRO-4X via RS232 cable and then install the software
10. Turn ON DVI-SPLITPRO-4X
11. Run the Control Software and establish the connection between PC and DVI-SPLITPRO-4X
12. Turn ON all connected devices and then control the display output thru RS232 and included software

### 4. SOFTWARE INSTALLATION

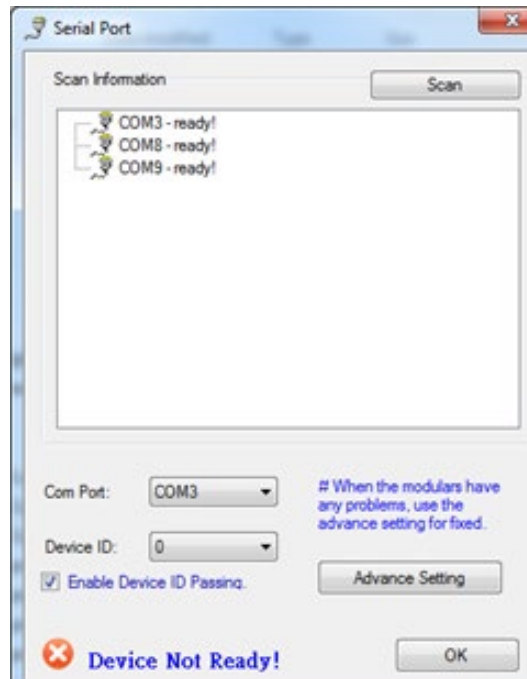
1. The DVI-SPLITPRO-4X provides a software control program which runs under Microsoft Windows 98, 2000, XP, Vista, 7 through the interface of RS-232 serial control.
2. Before you click on the icon of the software, make sure you have secured the connection between your computer COM port and the DVI-SPLITPRO-4X.
3. Install driver for RS232 to USB adapter
4. Once DVI-SPLITPRO-4X is turned on, it display green LED light

*Ensure that correct driver for RS232-USB Adapter (included with DVI-SPLITPRO-4X/K) is installed.  
You can check "Device Manger" under "Ports" page to check if drivers are installed correctly.*

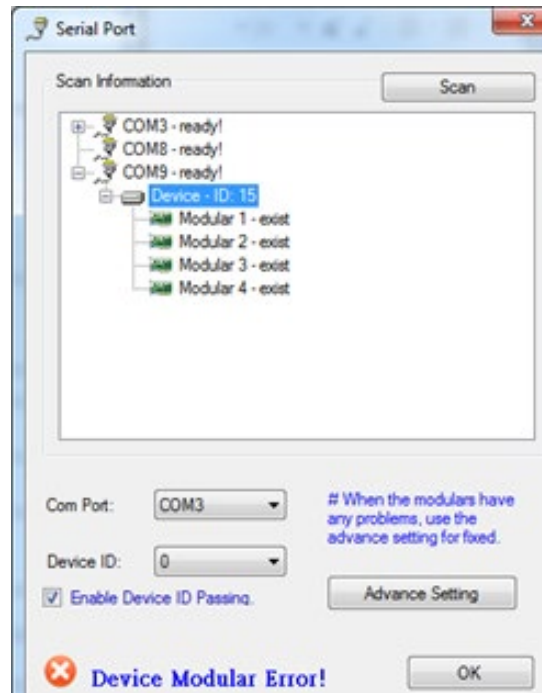


## 5. SOFTWARE SETUP GUIDE

1. Power up the DVI-SPLITPRO-4X and you can see VFD on the front panel blink.
2. Launch Avenview Control Software. It will open following “Serial Port” setting page.

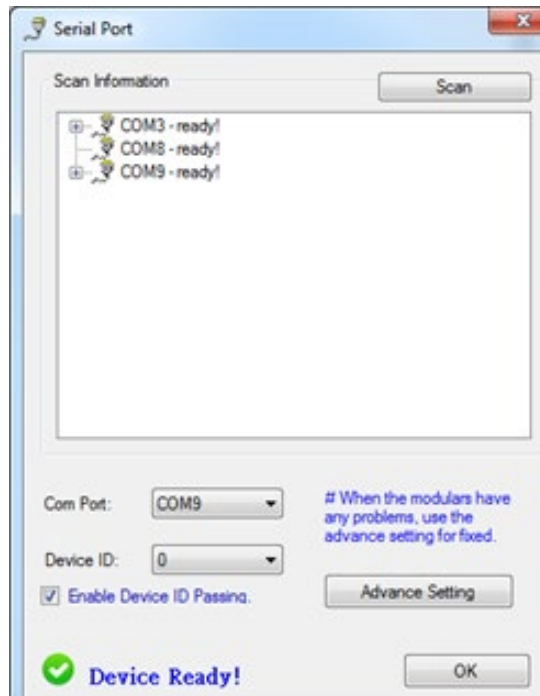


3. Click on Scan button and it will automatically detect Avenview Video Processor and display the following screen:

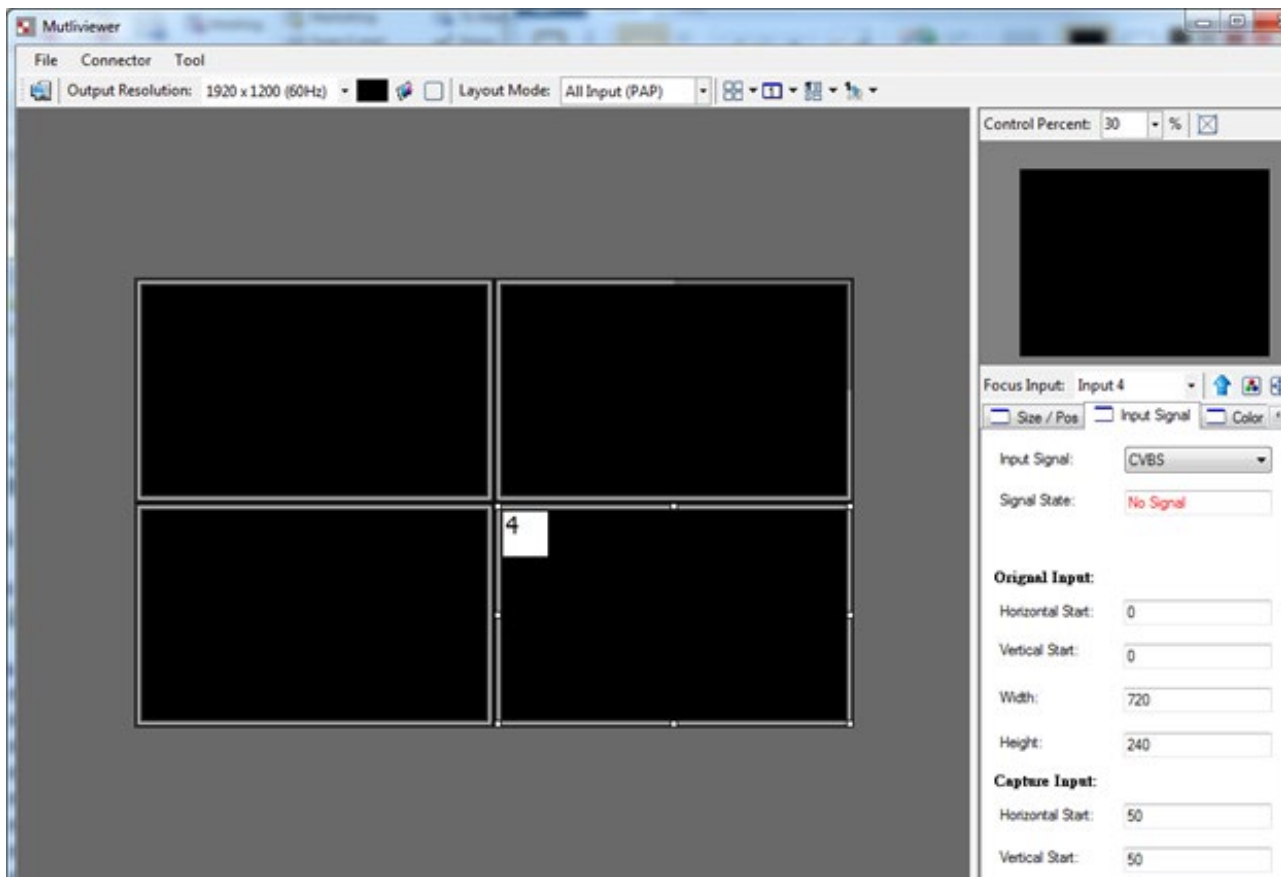


4. Note the “Device – ID” and Select Correct “Com Port” and Device ID” from bottom of screen. Once Correct “Com Port” and “Device ID” is selected, it will change “Device Modular Error” to “Device Ready” as shown below:



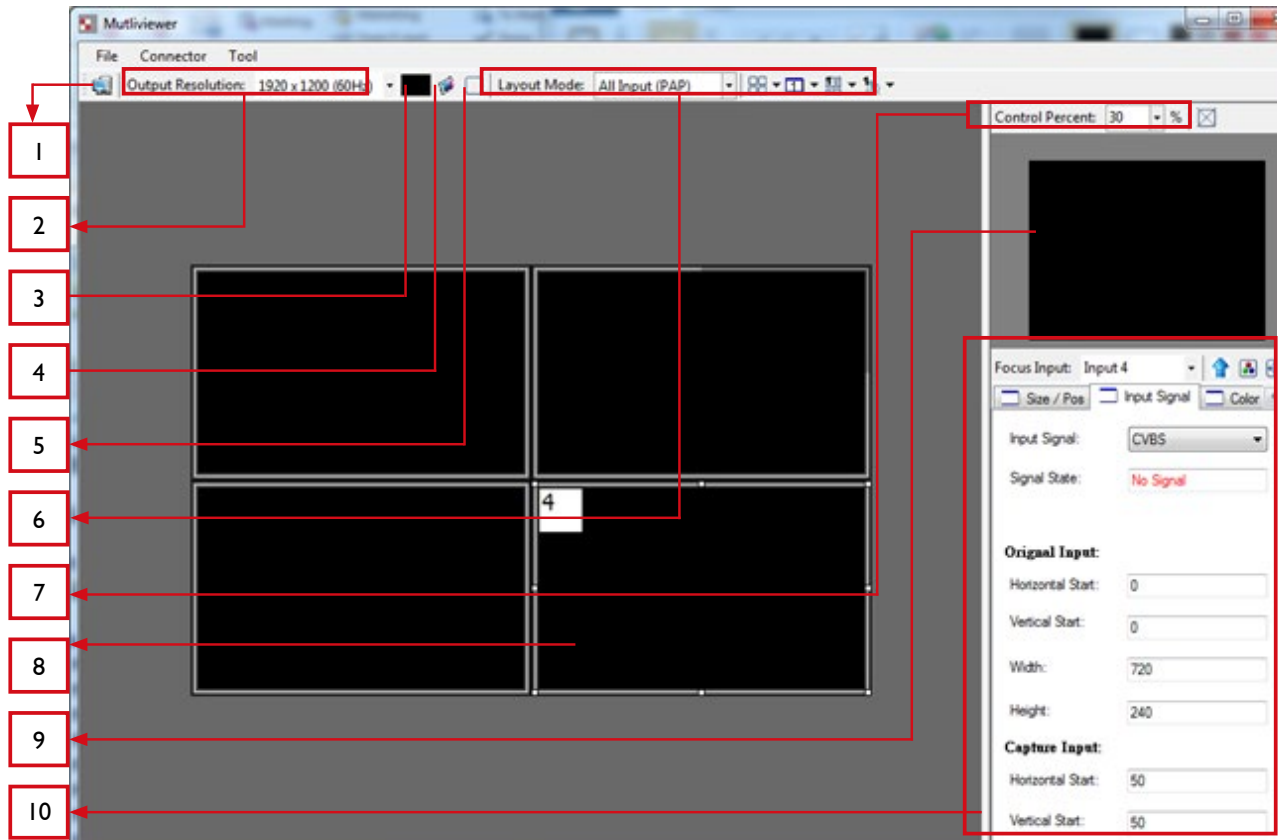


5. Once Device is Ready, click “OK” and Avenview Control Software will launch



The software has following menu options available:





## 1 FAST LINKAGE

This button will update software GUI for device state

## 2 OUTPUT RESOLUTION

| SUPPORTED MODE | RESOLUTION       | SUPPORTED MODE | RESOLUTION       |
|----------------|------------------|----------------|------------------|
| HDTV 720p      | 1280x720 @ 60Hz  | VESA           | 1280x768 @ 60Hz  |
| HDTV 1080p     | 1920x1080 @ 60Hz | VESA           | 1366x768 @ 60Hz  |
| VESA           | 800x600 @ 60Hz   | VESA           | 1400x1050 @ 60Hz |
| VESA           | 1024x768 @ 60Hz  | VESA           | 1600x1200 @ 60Hz |
| VESA           | 1280x1024 @ 60Hz | VESA           | 1920x1200 @ 60Hz |

## 3 BACKGROUND COLOR

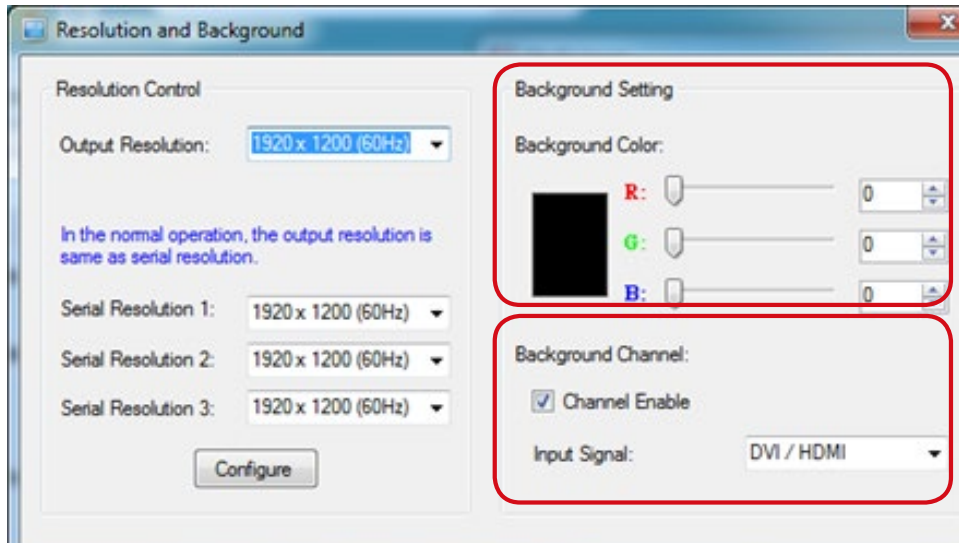
Clicking on this button will show the color dialog for background color adjustment.

## 4 BACKGROUND SETTING

DVI-SPLITPRO-4X offers the video background to make this advanced unit actually working like 5 channel video mixer! The default background video must work as full screen! Users can choose between color and video background through the



following control window. Click on this button will show the dialog for output resolution, background color and background channel setting.

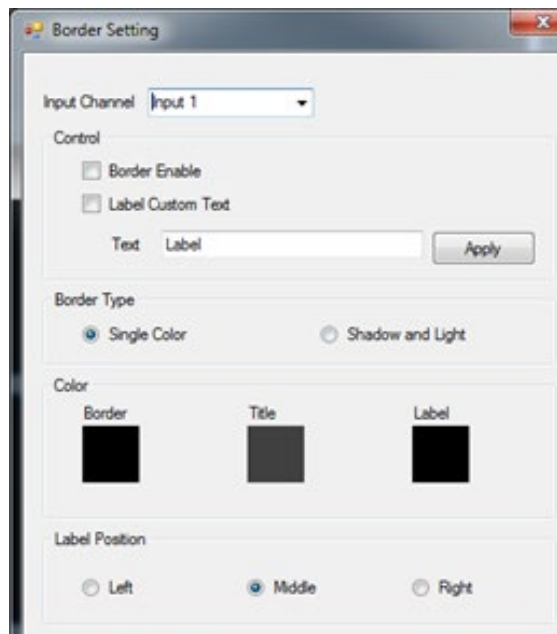


**Note \*** We recommend not changing the Serial Resolutions.

**ONLY INPUT 4 CAN BE USED  
AS “BACKGROUND CHANNEL”**

## 5 BORDER SETTINGS

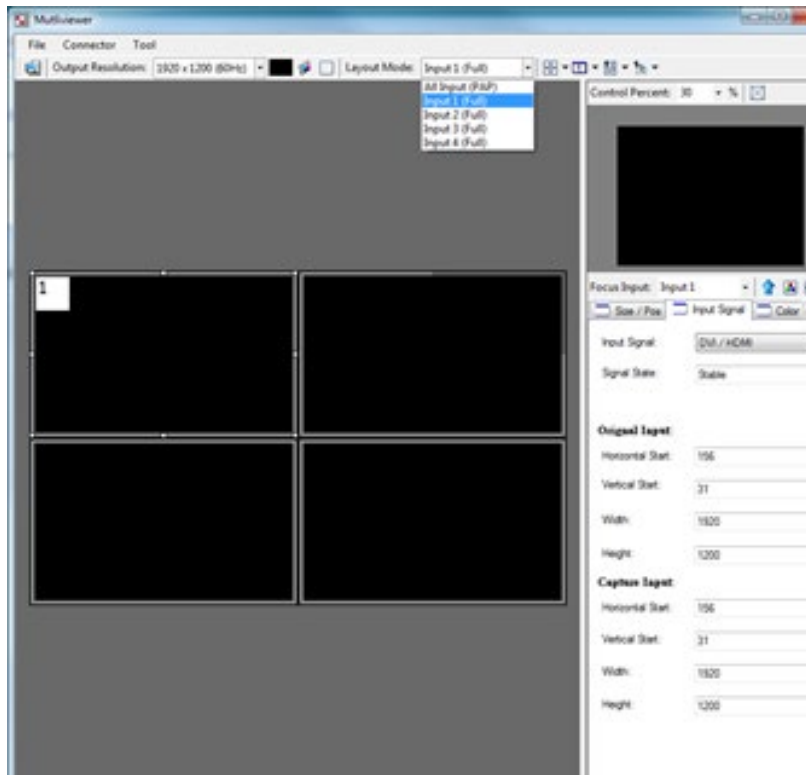
Allows you to enable Border and enter Custom Text for Labels each Input Source.



## 6 DISPLAY / LAYOUT MODE

Set signal channel full screen or all channel Notice that the input sources will not be changed in Software.

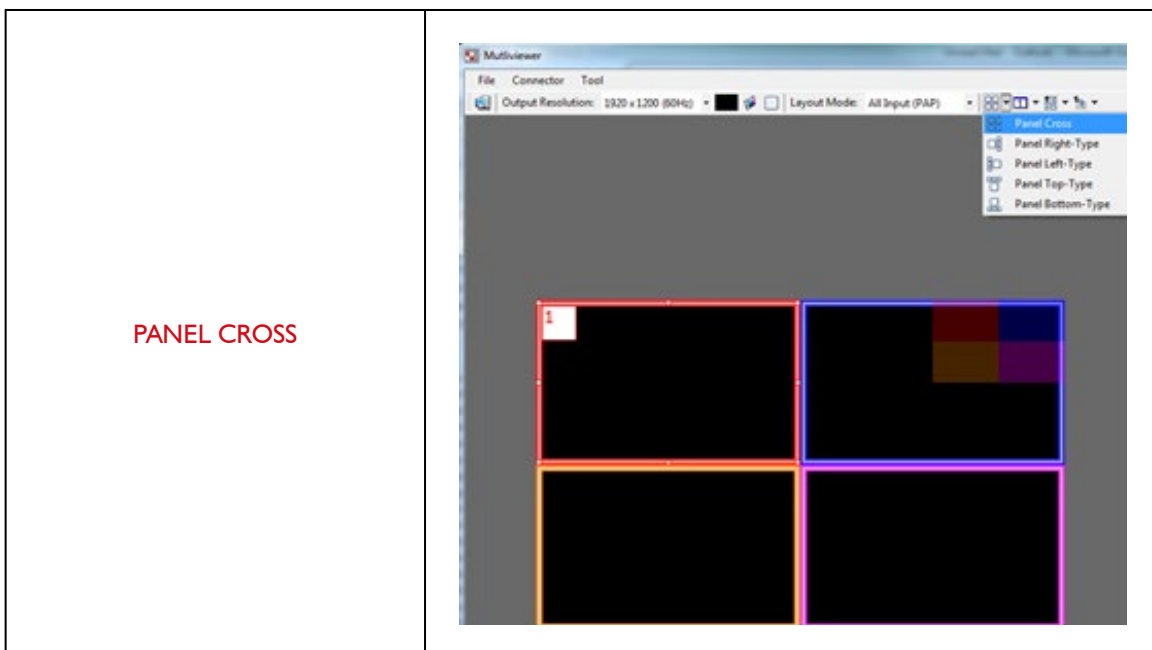




## 5.5 DEFAULT LAYOUTS

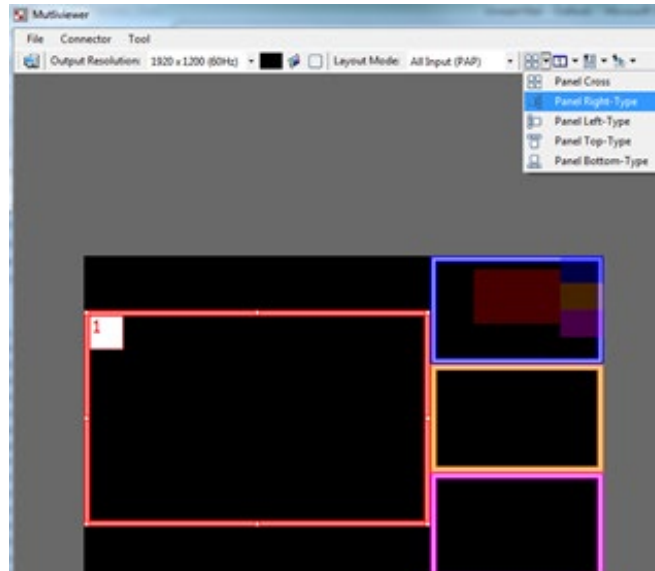
There are FIVE (5) pre-configured layouts available from Control Software, IR Remote Control or Front Panel Buttons.

- Panel Cross
- Panel Right – Type
- Panel Left – Type
- Panel Top – Type
- Panel Bottom – Type

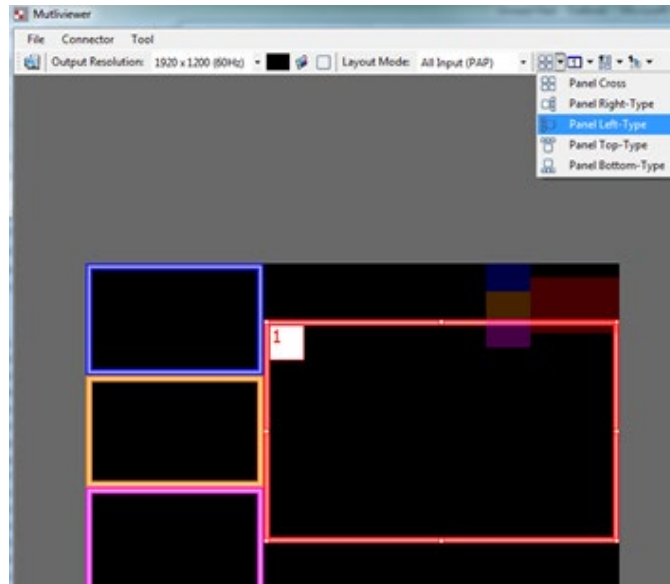


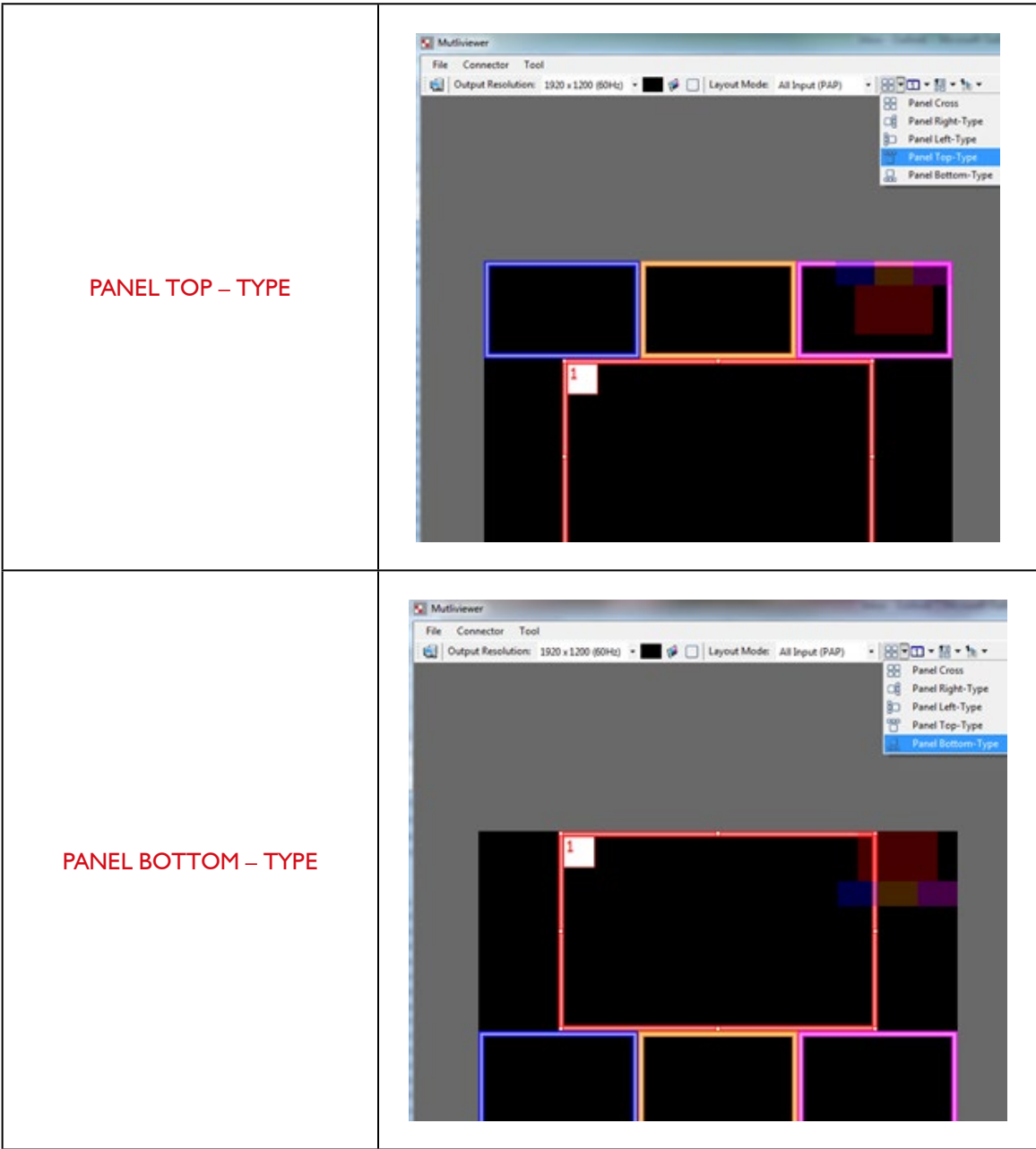


PANEL RIGHT – TYPE



PANEL LEFT – TYPE





*Input Signal which is selected at “Focus Input” will be displayed as Main Video Sources.*

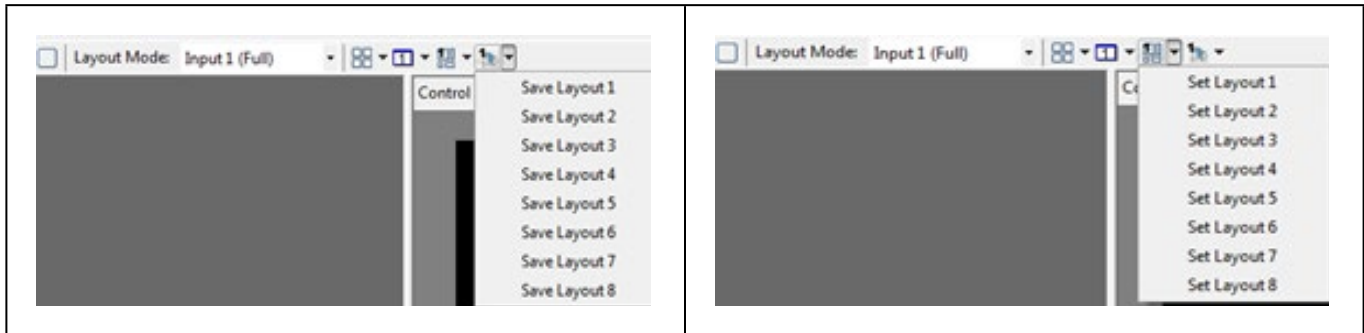


## 5.6 FOCUS INPUT

Select which Input Source should stay in focus when “Layouts” are selected

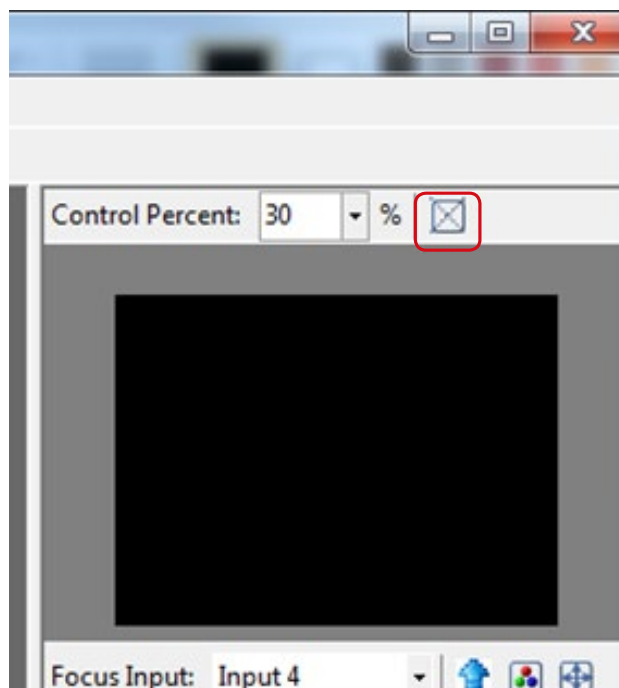
## 5.7 SAVE AND SET CUSTOM LAYOUTS

Save up to 8 Custom Layouts and Set them using Control Software, Front Panel or IR Remote Control.



## 7 LAYOUT CONTROL SIZE

Set layout control size in Software by percent.



If you enable Fixed Stretch, Aspect Ratios are kept with each Input layout is changed.

## 8 LAYOUT CONTROL

Create different Layouts by Drag and Drop. You can use “Fixed Aspect Ratio” as described above to retain Aspect Ratio of source image.



9

## PREVIEW WINDOW

Shows preview Window of Layouts

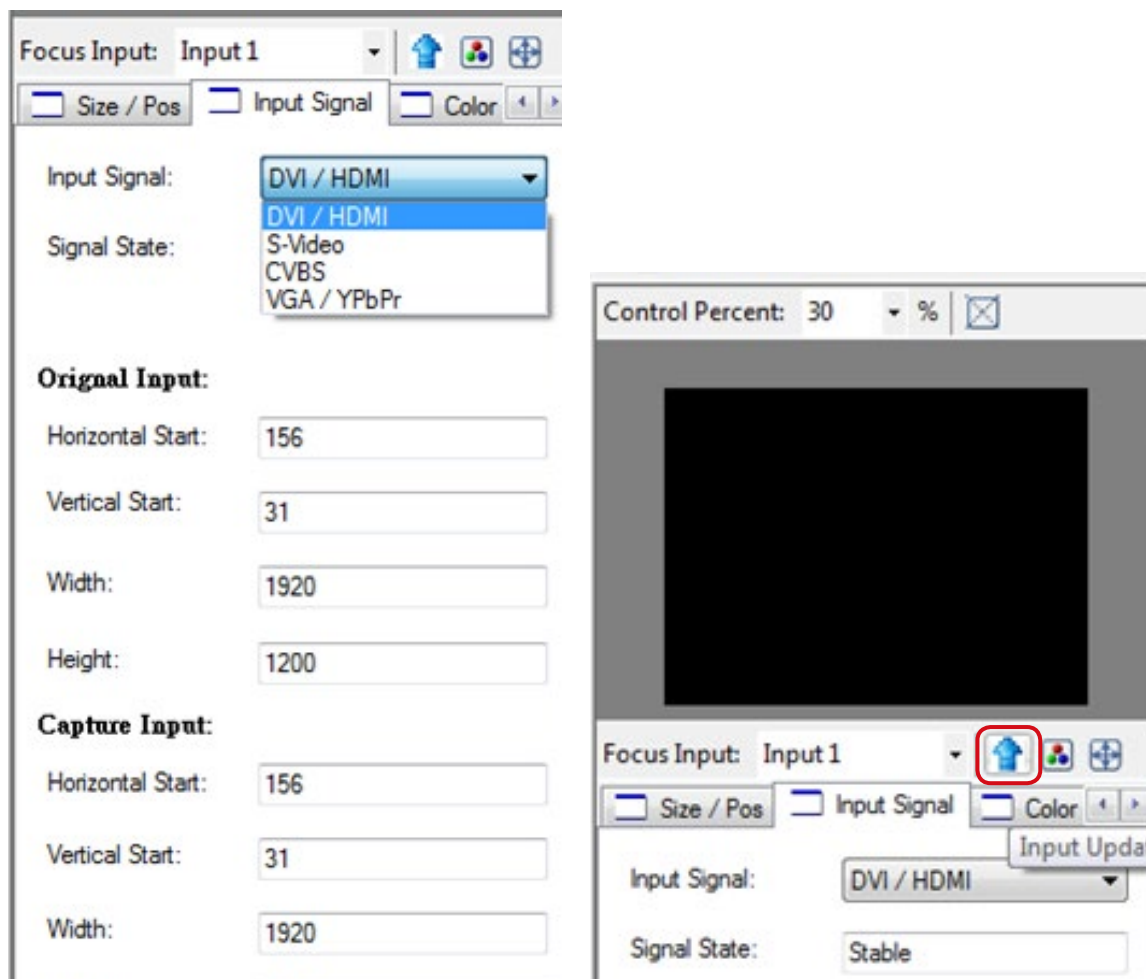
10

## INPUT CHANNEL SELECTION AND CUSTOMIZATION

In this section you can Select Input Channel, Input Signal, Channel Window Visible, Blend Settings, Custom Height, Custom Width, Color Brightness, Contrast, Saturation, Hue, Red, Green, Blue, Color Balance and Auto Configuration.

### 5.8 INPUT SELECTION:

- Select "Focus Input" from drop down menu or by Clicking on Main Layout Window.
- Click on "Input Signal".
- Select Correct "Input Signal" from drop down menu.
- Once right Input Signal is selected, click on UP ARROW (Input Update) beside Focus Input to update it on system memory.



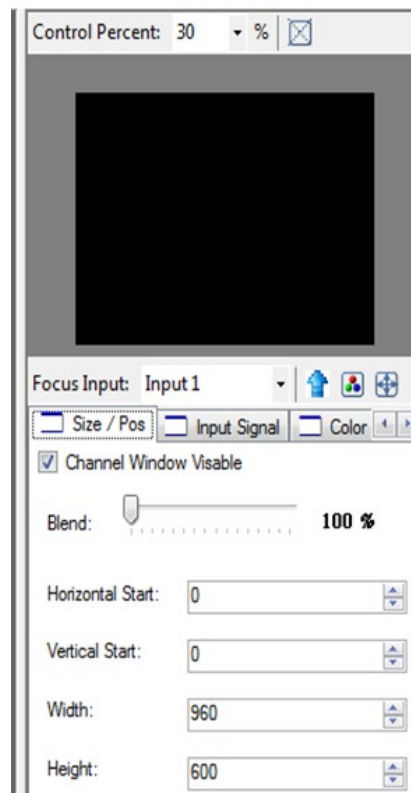
## 5.9 SIZE AND POSITION:

Select on “Size / Pos”

**CHANNEL WINDOWS VISIBLE:** You may uncheck “Channel Window Visible” if you decide to not show this Windows on screen

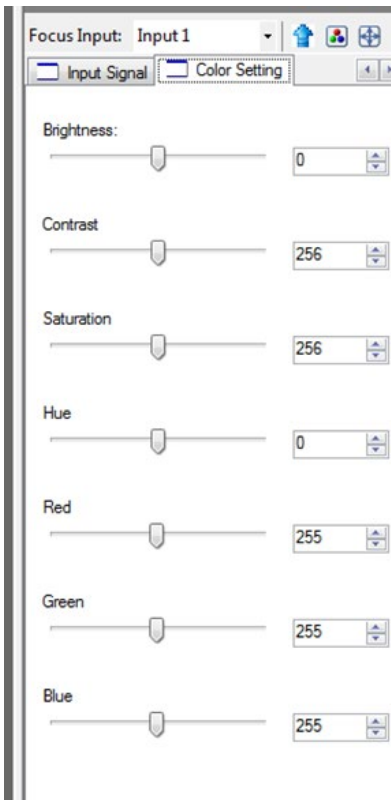
**BLEND:** Change the value of Blending from 100% to 0%. This will allow you to overlay an Input Source on other.

**CUSTOM HEIGHT AND WIDTH:** If you have specific requirement for Input Layout, you may adjust them here.



## 5.10 COLOR SETTING:

Various options to change Brightness, Contrast, Saturation, Hue, Red, Green and Blue are available on each “Input Source”



## 5.11 COLOR BALANCE AND AUTO CONFIGURE:

You may adjust Color Balance and Auto Configure them by selecting these options






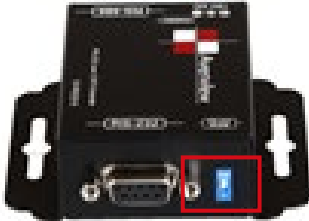


## 6. SOFTWARE CONFIGURATION

Follow these steps to select right Output Resolution and Input Signal

- Once RS232 communication is setup properly, you should select Optimal “OUTPUT Resolution” supported by your Display (TV or Monitor)
- Select correct “Input Signal” for each Input.
- After Selecting right Input Signal, ensure to Click on “Input Update” (BLUE Arrow)
- Repeat above steps for each Input you have connected
- Select Layout Mode
- Select “Default Layouts” or create your own by dragging dropping



## 7. CASCADE INSTALLATION

| PRODUCT   | SETTINGS   |
|---|--|
|    | <p>The device id number will show on the vfd, like below picture</p>   |
|    | <p>The "device id" number can adjust by button menu.</p> <ol style="list-style-type: none"> <li>1. Please push the "down, up, left, right" button,</li> <li>2. Enter menu → "(05/05) system</li> <li>3. Setting" menu → "(03/03) device id" menu.</li> </ol> |
|    | <p>Push the "right" button. When the "up" and "down" arrow are display, you can adjust number by "up" and "down" button.</p>   |
|   | <p>Set the dip switch on the c5-rs232-s to the on position<br/>As illustrated in picture</p>   |
|  | <p>Set the dip switch on the dvi-splitpro-4x to # 1 off (up) #2 on (down)<br/>As illustrated in picture</p>  |
|  | <p>When set dvi-splitpro-4x to rs485 mode by "dip switch". Please check the vfd will display "square" icon</p>   |

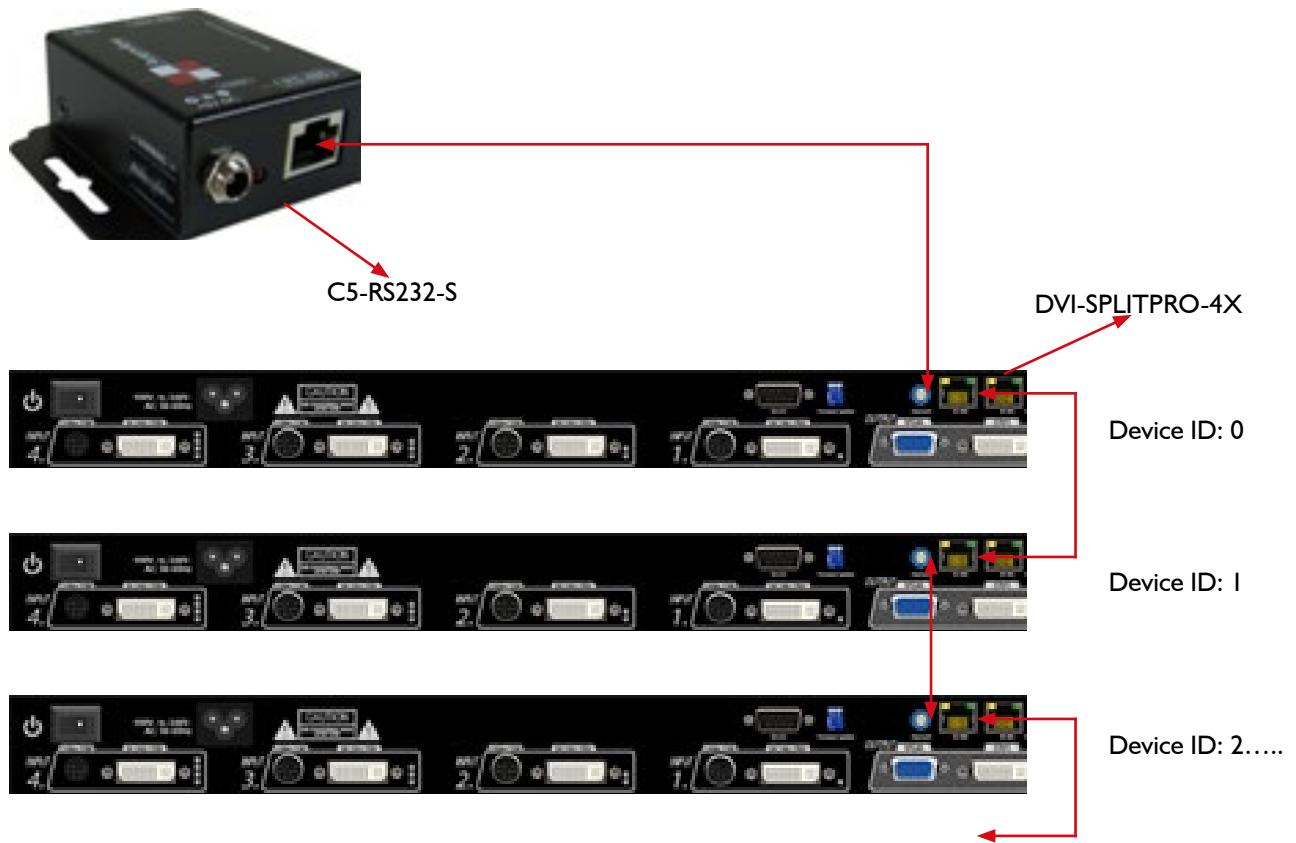


|                                   |                |  |
|-----------------------------------|----------------|--|
| <b>MODEL NAME</b>                 |                | <b>C5-RS232-S</b>  |
| <b>ROLE OF USAGE</b>              |                | TRANSMITTER [TX]   |
| <b>TRANSMISSION LENGTH</b>        |                | UP TO 1,000M (1,100YD) [CAT5E]                                     |
| <b>BAUD RATE</b>                  |                | UP TO 57.6KBPS IN CASCADE MODE                                     |
| <b>INPUT</b>                      |                | 1X RS-232  |
| <b>OUTPUT</b>                     |                | 1X RJ-45   |
| <b>RS-232 CONNECTOR</b>           |                | DE-9 [9-PIN D-SUB FEMALE]  |
| <b>RJ-45 CONNECTOR</b>            |                | WE/SS 8P8C WITH 2 LED INDICATORS                                   |
| <b>DIP SWITCH</b>                 |                | 6-PIND & AUDIO MODE<br>[SW MAIN] 6-PIN OPERATION & FIRMWARE UPDATE |
| <b>MECHANICAL</b>                 |                | <b>C5-RS232-S</b>  |
| <b>HOUSING</b>                    |                | METAL CASE   |
| <b>DIMENSIONS<br/>[L X W X H]</b> | <b>MODEL</b>   | TBA  |
|                                   | <b>PACKAGE</b> | 270 X 175 X 80MM [10.6" X 6.9" X 3.1"]                             |
|                                   | <b>CARTON</b>  | 450 X 370 X 300MM [1'6" X 1'3" X 11.8"]                            |
| <b>WEIGHT</b>                     | <b>MODEL</b>   | TBA  |
|                                   | <b>PACKAGE</b> | TBA  |
| <b>FIXEDNESS</b>                  |                | WALL-MOUNTING CASE UPON REQUEST                                    |
| <b>POWER SUPPLY</b>               |                | 5V 2A DC   |
| <b>POWER CONSUMPTION</b>          |                | 1 WATT [MAX]   |
| <b>OPERATION TEMPERATURE</b>      |                | 0~40°C [32~104°F]  |
| <b>STORAGE TEMPERATURE</b>        |                | -20~60°C [-4~140°F]  |
| <b>RELATIVE HUMIDITY</b>          |                | 20~90% RH [NO CONDENSATION]  |
| <b>PACKAGE CONTENTS</b>           |                | 1X C5-RS232-S<br>2X 5V POWER ADAPTER<br>1X USER MANUAL             |





\* Using C5-RS232-S to control all the cascaded DVI-SPLITPRO-4X



(3) Cascading DVI-SPLITPRO-4X

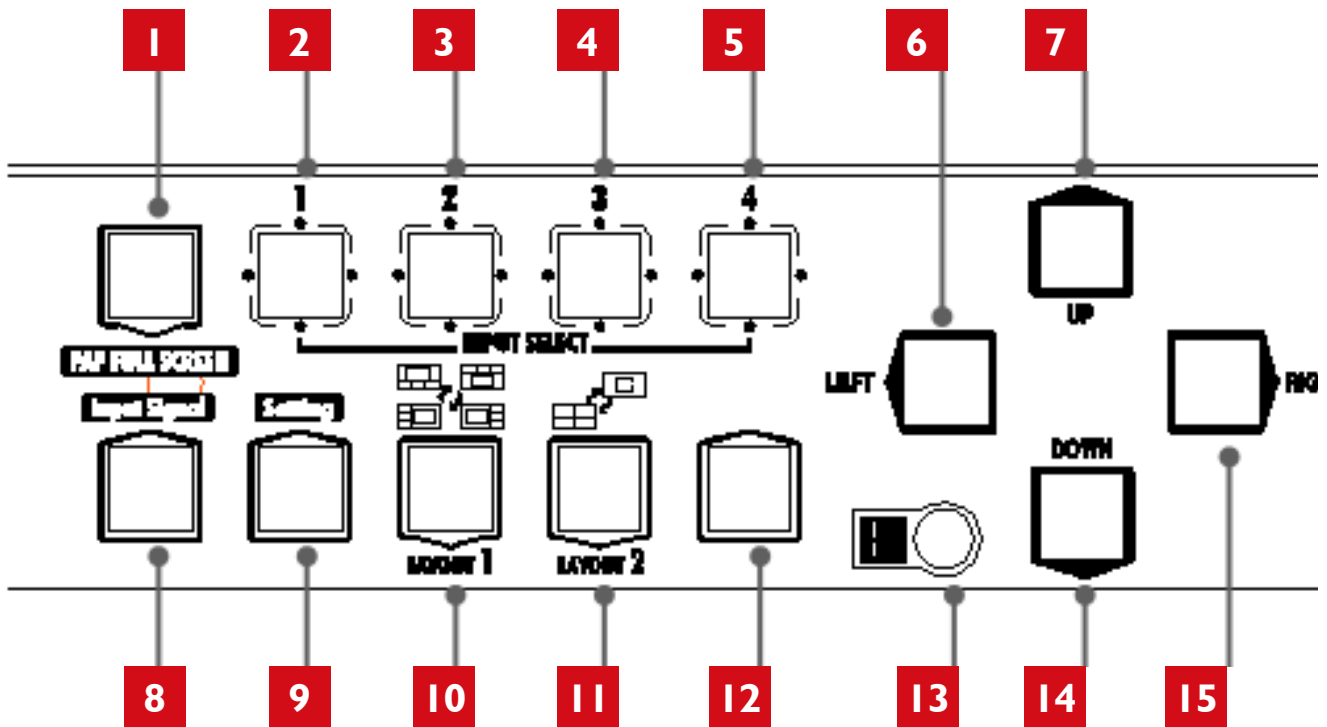


- a. Display to connected DVI-SPLITPRO-4X (1) DVI output
- b. DVI input 4 to connected DVI-SPLITPRO-4X (2) DVI output.
- c. Others are cascaded by this way.



## 8. FRONT PANEL CONTROLS

### 8.1 FRONT PANEL PUSH BUTTONS DESCRIPTION



|                                     |                            |                                       |                        |
|-------------------------------------|----------------------------|---------------------------------------|------------------------|
| <b>1</b>                            | PAP Full Screen            | <b>11</b>                             | Function key: Layout 2 |
| <b>2</b> <b>3</b> <b>4</b> <b>5</b> | Input Select               | <b>12</b>                             | N/A                    |
| <b>8</b>                            | Function key: Input Signal | <b>13</b>                             | Infrared Sensor        |
| <b>9</b>                            | Function key: Setting      | <b>6</b> <b>7</b> <b>14</b> <b>15</b> | Navigation             |
| <b>10</b>                           | Function key: Layout 1     |                                       |                        |





## 8.2 FRONT PANEL PUSH BUTTONS FUNCTIONS

### 8.3 SELECTING PIP WINDOW ARRANGEMENT

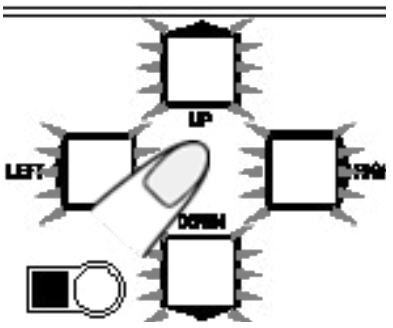
#### MAIN WINDOW WITH 3 TRIPLE SUB-WINDOWS ASIDE


You may choose one of the following layouts from 4 presets:


1.  


To cancel the operation, press [LAYOUT 1] again

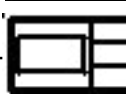
Select a type by pressing according button while VFD

2. 

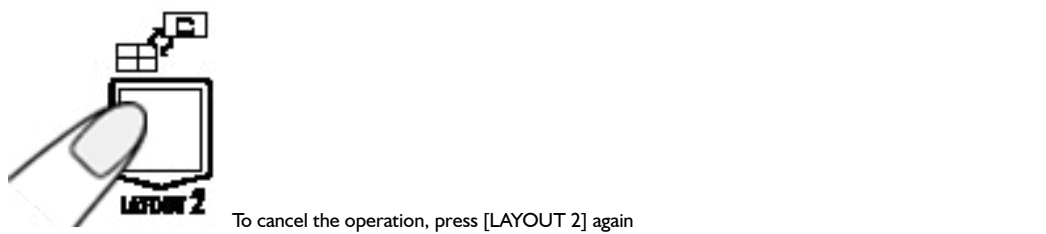

B\_top: press UP 

B\_btm: press DOWN 

B\_left: press LEFT 

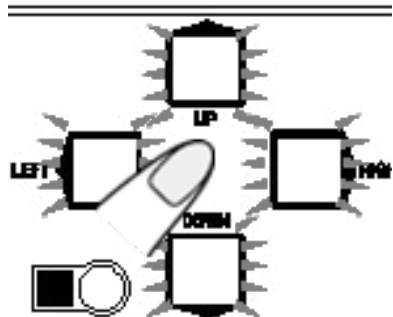
B\_right: press RIGHT 


#### QUAD WINDOWS IN CRISSCROSS + 3 USER-DEFINED CUSTOM LAYOUTS

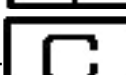
1.  


To cancel the operation, press [LAYOUT 2] again


Select a type by pressing according button while VFD

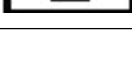
2. 

Display prompts 

B\_top: press UP 

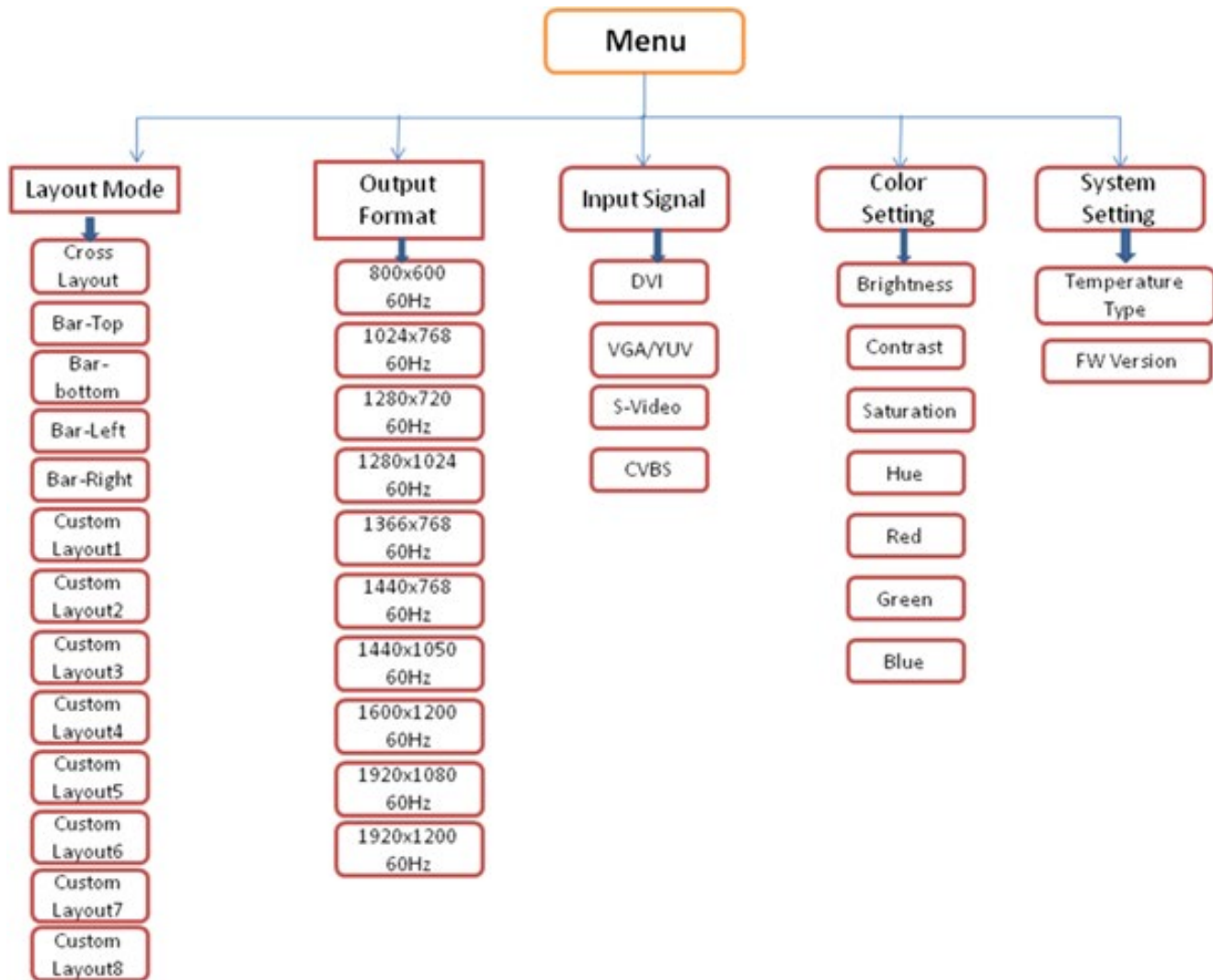
B\_btm: press DOWN 

B\_left: press LEFT 

B\_right: press RIGHT 



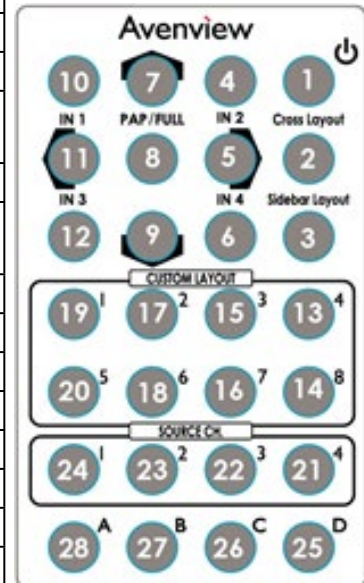
## 9. ON SCREEN DISPLAY MENU TREE



## 10. IR REMOTE CONTROL

Avenview DVI-SPLITPRO-4X, Advanced Quad Screen Processor ships with a compact IR Remote Control that allows for direct access to most commands used to control the video processor.

| IR REMOTE BUTTON DEFINE           |   |
|-----------------------------------|---|
| <b>1. POWER BUTTON</b>            | Set the output video into Sleep Mode (No Video)   |
| <b>2. CROSS-LAYOUT</b>            | Set PAP layout to default layout (cross type )  |
| <b>3. SIDE-BAR LAYOUT</b>         | Set PAP layout to default layout (Side-Bar type )   |
| <b>4. IN 2 (INPUT CHANNEL 2)</b>  | First Press Set channel 2 to be focus channel<br>Second Press enables Channel 2 Full Screen |
| <b>5. RIGHT BUTTON</b>            | Enables Menu Options and Also Select Button in Menu Options                                 |
| <b>6. IN 4 (INPUT CHANNEL 4)</b>  | Set channel 4 to be focus channel<br>Second Press enables Channel 4 Full Screen             |
| <b>7. UP BUTTON</b>               | Move Up in Menu settings  |
| <b>8. PAP FULL SCREEN</b>         | Move to the left titles   |
| <b>9. DOWN BUTTON</b>             | Move Down in Menu settings  |
| <b>10. IN 1 (INPUT CHANNEL 1)</b> | Set channel 1 to be focus channel<br>Second Press enables Channel 1 Full Screen             |
| <b>11. LEFT BUTTON</b>            | Previous in Menu settings   |
| <b>12. IN 3 (INPUT CHANNEL 3)</b> | Set channel 3 to be focus channel<br>Second Press enables Channel 3 Full Screen             |
| <b>13. CUSTOM LAYOUT4</b>         | Set PAP layout to custom position and size  |
| <b>14. CUSTOM LAYOUT8</b>         | Set PAP layout to custom position and size  |
| <b>15. CUSTOM LAYOUT3</b>         | Set PAP layout to custom position and size  |
| <b>16. CUSTOM LAYOUT7</b>         | Set PAP layout to custom position and size  |
| <b>17. CUSTOM LAYOUT2</b>         | Set PAP layout to custom position and size  |
| <b>18. CUSTOM LAYOUT6</b>         | Set PAP layout to custom position and size  |
| <b>19. CUSTOM LAYOUT1</b>         | Set PAP layout to custom position and size  |
| <b>20. CUSTOM LAYOUT5</b>         | Set PAP layout to custom position and size  |
| <b>21. CH4 SOURCE</b>             | Toggle between channel 4 input source<br>DVI/HDMI, VGA/Y-Pb-Pr, S-VIDEO, CVBS               |
| <b>22. CH3 SOURCE</b>             | Toggle between channel 3 input source<br>DVI/HDMI, VGA/Y-Pb-Pr, S-VIDEO, CVBS               |
| <b>23. CH2 SOURCE</b>             | Toggle between channel 2 input source<br>DVI/HDMI, VGA/Y-Pb-Pr, S-VIDEO, CVBS               |
| <b>24. CH1 SOURCE</b>             | Toggle between channel 1 input source<br>DVI/HDMI, VGA/Y-Pb-Pr, S-VIDEO, CVBS               |
| <b>25. D BUTTON</b>               | Reserve   |
| <b>26. C BUTTON</b>               | Reserve   |
| <b>27. B BUTTON</b>               | Reserve   |
| <b>28. A BUTTON</b>               | Reserve   |



## 11. SPECIFICATIONS

| MODEL                  | DVI-SPLITPRO-4X   |
|------------------------|---|
| DESCRIPTION            | Advanced Quad Screen Video Processor with Front Panel and IR Control                |
| DUAL OUTPUT SUPPORT    | Yes (DVI & VGA)   |
| BACKGROUND VIDEO INPUT | Yes   |
| HDCP COMPLIANCE        | Yes   |
| VIDEO BANDWIDTH        | DVI/HDMI Single Link - 4.95Gbps   |
|                        | VGA - 165 MHz   |
|                        | Component - 30 MHz  |
|                        | S-Video – 13.5 MHz  |
|                        | Composite – 13.5 MHz  |
| SUPPORTED RESOLUTIONS  | 480i / 480p / 720p / 1080i / 1080p (60) / 1920x1200@75 / 1600x1200@60               |
| AUDIO SUPPORT          | No  |
| CONTROL                | RS232 / RS485   |
| EMBEDDED VIDEO MIXER   | Yes   |
| ABILITY TO CASCADE     | Yes   |
| INPUT TMDS SIGNAL      | 1.2 Volts (peak – peak)   |
| ESD PROTECTION         | Human body model - $\pm 15$ kV (air gap discharge) & $\pm 8$ kV (contact discharge) |
| INPUT                  | 4 x VGA (through included DVI to VGA Adapter)                                       |
|                        | 4 x DVI   |
|                        | 4 x HDMI (through HDMI to DVI Cable / Adapter, not supplied)                        |
|                        | 4 x Component (through included adapter)  |
|                        | 4 x Composite (through included cable)  |
|                        | 4 x S-Video (through included cable)  |
|                        | 1 x RS232   |
|                        | 1 x RS485   |
| OUTPUT                 | 1 x DVI (Also supports HDMI signal by DVI to HDMI Cable)<br>1 x VGA                 |
| DVI CONNECTOR TYPE     | DVI-I (29-Pin female)   |
| VGA CONNECTOR TYPE     | HD-15 (15-pin D-sub female)   |
| S-VIDEO CONNECTOR      | 9 Pin   |
| RS232 CONNECTOR        | DE-9 (9-pin D-sub female)   |
| RCA CONNECTOR          | 75 $\Omega$   |
| RJ45 CONNECTOR         | WE/SS 8P8C with 2 LED indicators  |
| DIMENSIONS             | 11.8" x 15.3" x 1.7" (L x W x H)  |
| SIZE                   | 1U Rack-mount with ears   |
| POWER SUPPLY           | AC 100-240V   |
| POWER CONSUMPTION      | 35 Watts (max)  |
| OPERATING TEMPERATURE  | 0~40°C [32~104°F]   |
| STORAGE TEMPERATURE    | -20~60°C [-4~140°F]   |
| RELATIVE HUMIDITY      | 20~90% RH [no condensation]   |



## 12. RESOLUTIONS COMPATIBILITY

### 12.1 DVI / COMPONENT / VGA

| SUPPORTED MODE | RESOLUTION      |
|----------------|-----------------|
| NTSC/480i/525i | 720x240 @60Hz   |
| PAL/576i/625i  | 720x288 @50Hz   |
| 480p/525p      | 720x483 @60Hz   |
| 480p (16:9)    | 960x483 @60Hz   |
| 576p/625p      | 720x756 @50Hz   |
| (HDTV) 720p    | 1280x720 @50Hz  |
| (HDTV) 720p    | 1280x720 @60Hz  |
| (HDTV) 1080i   | 1920x1080 @50Hz |
| (HDTV) 1080i   | 1920x1080 @60Hz |
| (HDTV) 1080p   | 1920x1080 @30Hz |
| VESA           | 720x400 @85Hz   |
| VESA           | 640x350 @85Hz   |
| VESA           | 640x400 @85Hz   |
| IBM            | 720x400 @70Hz   |
| IBM            | 720x350 @70Hz   |
| IBM            | 640x350 @70Hz   |
| IBM            | 640x400 @70Hz   |
| VESA           | 640x480 @60Hz   |
| MAC            | 640x480 @67Hz   |
| VESA           | 640x480 @72Hz   |
| VESA           | 640x480 @75Hz   |
| VESA           | 640x480 @85Hz   |
| VESA           | 800x600 @56Hz   |
| VESA           | 800x600 @60Hz   |
| VESA           | 800x600 @72Hz   |

| SUPPORTED MODE | RESOLUTION      |
|----------------|-----------------|
| VESA           | 800x600 @75Hz   |
| VESA           | 800x600 @85Hz   |
| MAC            | 832x624 @75Hz   |
| VESA           | 1024x768 @60Hz  |
| MAC            | 1024x768 @60Hz  |
| VESA           | 1024x768 @70Hz  |
| IBM            | 1024x768 @72Hz  |
| VESA           | 1024x768 @75Hz  |
| MAC            | 1024x768 @75Hz  |
| VESA           | 1024x768 @85Hz  |
| VESA           | 1152x864 @75Hz  |
| MAC            | 1152x870 @75Hz  |
| SUN            | 1152x900 @66Hz  |
| SUN            | 1152x900 @76Hz  |
| VESA           | 1280x960 @60Hz  |
| VESA           | 1280x960 @85Hz  |
| VESA           | 1280x1024 @60Hz |
| HP             | 1280x1024 @60Hz |
| IBM            | 1280x1024 @67Hz |
| HP             | 1280x1024 @72Hz |
| VESA           | 1280x1024 @75Hz |
| SUN            | 1280x1024 @76Hz |
| VESA           | 1600x1200 @60Hz |
| VESA           | 1920x1200 @60Hz |

### 12.2 DVI-OUT

| SUPPORTED MODE | RESOLUTION      | SUPPORTED MODE | RESOLUTION      |
|----------------|-----------------|----------------|-----------------|
| (HDTV) 720p    | 1280x720 @50Hz  | VESA           | 1366x768 @60Hz  |
| (HDTV) 720p    | 1280x720 @60Hz  | VESA           | 1400x1050 @60Hz |
| (HDTV) 1080p   | 1920x1080 @60Hz | VESA           | 1400x1050 @50Hz |
| VESA           | 640x480 @60Hz   | VESA           | 1152x864 @75Hz  |
| VESA           | 800x600 @60Hz   | VESA           | 1600x1200 @60Hz |
| VESA           | 1024x768 @60Hz  | VESA           | 1920x1200 @50Hz |
| VESA           | 1152x864 @75Hz  | VESA           | 1920x1200 @60Hz |
| VESA           | 1280x1024 @60Hz |                |                 |



## 13. GENERAL TROUBLESHOOTING

| PROBLEM  | POSSIBLE SOLUTION  |
|--|--|
| NO POWER   | <ul style="list-style-type: none"> <li>• Ensure that DVI-SPLITPRO-4X is plugged in</li> <li>• If you are recovering from power outage, accidentally unplug the adapter or other power surge conditions, leave the device off for an at least a minute and then power it on again.</li> </ul>   |
| NO OR DISTORTED IMAGE                              | <ul style="list-style-type: none"> <li>• Make sure all cables are in good working condition and properly connected to the DVI-SPLITPRO-4X and displays.</li> <li>• Configure the output video resolution so that it doesn't exceed the native resolution of the display. ( in this case, the message of "out of range" is usually showed on your screen)</li> </ul>  |
| POOR QUALITY                                       | <ul style="list-style-type: none"> <li>• We suggest that don't use T-connectors to split your video source into to images displayed on two different screens. That will lower output video quality. Use a distribution amplifier instead of T-connectors.</li> <li>• Make sure the video source is not compressed and maintains the highest native resolution.</li> </ul>  |
| WRONG COLOR  | <ul style="list-style-type: none"> <li>• Press "Color Balance" key for auto configuration.<br/>Auto color configuration only works at VGA and Component inputs.</li> </ul>   |
| NO VIDEO AFTER FACTORY HARDWARE AND SOFTWARE RESET | <ul style="list-style-type: none"> <li>• Always perform a hard power reset from the back of the unit using the power switch on back right.</li> <li>• In the configuration software after the factory reset navigate to: <ul style="list-style-type: none"> <li>➤ Advance setting button</li> <li>➤ Ensure the correct COM Port is enabled</li> <li>➤ Wait until Green check mark and Device Ready! is complete</li> <li>➤ Proceed to "Device Setting/Testing" "Execute Selector"</li> <li>➤ Select "Modular Configure" then Press Execute Button</li> </ul> </li> </ul> |





**Notes**



**Notes**



## Avenview Warranty Certificate

AVENVIEW CORP. ("Avenview") warrants Avenview-branded product(s) contained in the original packaging against defects in materials and workmanship when used normally in accordance with Avenview's enclosed manual guidelines for a period of THREE (3) YEARS from the date of original retail purchase - Warranty Period. Avenview's published guidelines include but are not limited to information contained in technical specifications, user manuals and service communications.

**LABOR:** During the Warranty Period of THREE (3) YEARS, Avenview will repair or replace the product(s) at no cost using new or used parts equivalent to novel performance and reliability if the product(s) is determined to have abide by Avenview's published guidelines. Cost of Labor applicable to product(s) after Warranty Period. For labor costs, please contact [support@avenview.com](mailto:support@avenview.com).

**PARTS:** During the Warranty Period of THREE (3) YEARS, Avenview will supply new or rebuilt replacements in exchange for defective parts of the product(s) at no cost if the product(s) is determined to have abide by Avenview's published guidelines. Cost of Parts applicable to product(s) after Warranty Period. For part(s) costs, please contact [support@avenview.com](mailto:support@avenview.com).

To obtain Warranty: (a) proof of purchase in the form of a bill of sale or receipted invoice reflecting that the registered product(s) is within warranty period must be presented to obtain warranty service; (b) product(s) must be registered at time of purchase. Failure to do so will result in applicable parts and labor charges. Returning product(s) must be shipped in Avenview's original packaging or in packaging pertaining equal degree of protection to Avenview's. Both Avenview and purchaser are responsible for freight charges and brokerages when shipping the product(s) to the receiver.

### NOT COVERED BY THIS WARRANTY

This warranty does not apply to any non-Avenview branded product(s); non-registered Avenview product(s). This warranty does not apply: (a) to cosmetic damage, including but not limited to scratches, dents and broken cords; (b) to damage caused by use with another product; (c) to damage caused by accident, abuse, misuse, liquid contact, fire, earthquake or other external cause; (d) to damage caused by operating the Avenview product(s) outside Avenview's manuals or guidelines; (e) to damage caused by service performed by anyone who is not a representative of Avenview or an Avenview authorized personnel; (f) to defects caused by normal wear and tear or otherwise due to the normal aging of the Avenview product(s), or (g) if any serial number has been removed or defaced from the Avenview product(s).

AVENVIEW IS NOT LIABLE FOR DIRECT, SPECIAL, INCIDENTAL OR CONSEQUENTIAL DAMAGES RESULTING FROM ANY BREACH OF WARRANTY OR CONDITION, OR UNDER ANY OTHER LEGAL THEORY, INCLUDING BUT NOT LIMITED TO LOSS OF USE; LOSS OF REVENUE; LOSS OF ACTUAL OR ANTICIPATED PROFITS (INCLUDING LOSS OF PROFITS ON CONTRACTS); LOSS OF THE USE OF MONEY; LOSS OF ANTICIPATED SAVINGS; LOSS OF BUSINESS; LOSS OF OPPORTUNITY; LOSS OF GOODWILL; LOSS OF REPUTATION; LOSS OF, DAMAGE TO, COMPROMISE OR CORRUPTION OF DATA; OR ANY INDIRECT OR CONSEQUENTIAL LOSS OR DAMAGE REPAIR OR REPLACEMENT AS PROVIDED UNDER THIS WARRANTY IS THE EXCLUSIVE REMEDY OF THE CONSUMER.

Some states do not allow the inclusion or limitation of incidental or consequential damages, or allow limitations on duration implements of the Warranty Period; therefore the above limitations or exclusions may not be applicable to you. This warranty gives you specific legal rights, and you may have other rights which vary from state to state.



275 Woodward Avenue, Kenmore, NY 14217  
1.866.508.0269





AV Connectivity, Distribution And Beyond...

## TECHNICAL SUPPORT

### CONTACT US



Phone: 1 (866) 508 0269



Email: [support@avenview.com](mailto:support@avenview.com)



**USA Head Office Avenview Corp. 275 Woodward Avenue Kenmore, NY 14217**

### Disclaimer

While every precaution has been taken in the preparation of this document, Avenview Inc. assumes no liability with respect to the operation or use of Avenview hardware, software or other products and documentation described herein, for any act or omission of Avenview concerning such products or this documentation, for any interruption of service, loss or interruption of business, loss of anticipatory profits, or for punitive, incidental or consequential damages in connection with the furnishing, performance, or use of the Avenview hardware, software, or other products and documentation provided herein.

Avenview Inc. reserves the right to make changes without further notice to a product or system described herein to improve reliability, function or design. With respect to Avenview products which this document relates, Avenview disclaims all express or implied warranties regarding such products, including but not limited to, the implied warranties of merchantability, fitness for a particular purpose, and non-infringement.