

Technical Specifications

VIDEO	
HDMI version	HDMI 1.3a
Color Depth	Deep Color 36/30/24 Bit @ 1080p & 3D
HDMI resolution	Up to 4K (3840x2160 @ 30Hz)
Bandwidth	10.2 Gbps
Input Video Signal	1.2 Volts P-P
Input DDC Signal	5 Volts (TTL)
AUDIO	
Format	HDMI Digital Audio
IR	
Input	(1) 2.5mm DC jack; (1) 3.5mm IR jack
Output	(1) RJ45 jack; (1) 3.5mm IR jack
OTHER	
Power Adapter	External 5VDC2A
Dimensions	0.9"W X 2.9"D X 3.7"H
Weight	0.26 lbs
Working Temperature	32 to 104°F (0 to 40°C)
Working Humidity	Up to 85% (no condensation)
Storage Temperature	-4 to 149 °F (-20 to 65 °C)
Storage Humidity	Up to 90% (no condensation)
Certificate	FCC, CE, RoHS

ORDER INFO	
Part No.	Description
HDX-LXS	HDMI, IR, CAT5/5e/6 Extender, Includes: [HDX-LXTX, HDX-LXRX, 2 x (P55VD2A-WLLMNT)]
HDX-LX-TXS	HDMI & IR Extender Transmitter Over a Single CAT5 UTP Cable. Includes: (HDX-LX-TX and P55VD2A-WLLMNT)
HDX-LX-RXS	HDMI & IR Extender Receiver Over a Single CAT5 UTP Cable. Includes: (HDX-LX-RX and P55VD2A-WLLMNT)

What's in the Box?

PART NO.	QTY	DESCRIPTION
HDX-LX-RXS	1	HDMI & IR Extender Receiver Over a Single CAT5 UTP Cable.
HDX-LX-TXS	1	HDMI & IR Extender Transmitter Over a Single CAT5 UTP Cable.
Power Supply	2	P55VD2A-WLLMNT

Notice

The information contained in this document is subject to change without notice. SmartAVI makes no warranty of any kind with regard to this material, including but not limited to, implied warranties of merchantability and fitness for particular purpose. SmartAVI will not be liable for errors contained herein or for incidental or consequential damages in connection with the furnishing, performance or use of this material.

No part of this document may be photocopied, reproduced, or translated into another language without prior written consent from SmartAVI Technologies, Inc.

20191022

Smart-AVI
SMART AUDIO VIDEO INNOVATION

HDX-LX

4K HDMI/IR Extender over CAT5e/6



Boost 4K HDMI Video & infrared signals up to 250 feet with CAT5e/6.



Designed and Manufactured in the USA

Tel: 800.AVI.2131 • 818.503.6200
2455 W Cheyenne Ave, Suite 112
North Las Vegas, NV 89032

WWW.SMARTAVI.COM

Quick Start Guide

Introduction

The HDX-LX is an HDMI and infrared signal extender that uses Cat5e/6 cables and HDBaseT Technology to send video up to 250 ft. from an HDMI source. The HDX-LX can extend Ultra-HD resolution video up to 4K resolution (3840x2160 @ 30Hz) with no degradation of quality, making it the ideal extender for video systems where highly detailed HDMI signals are essential.

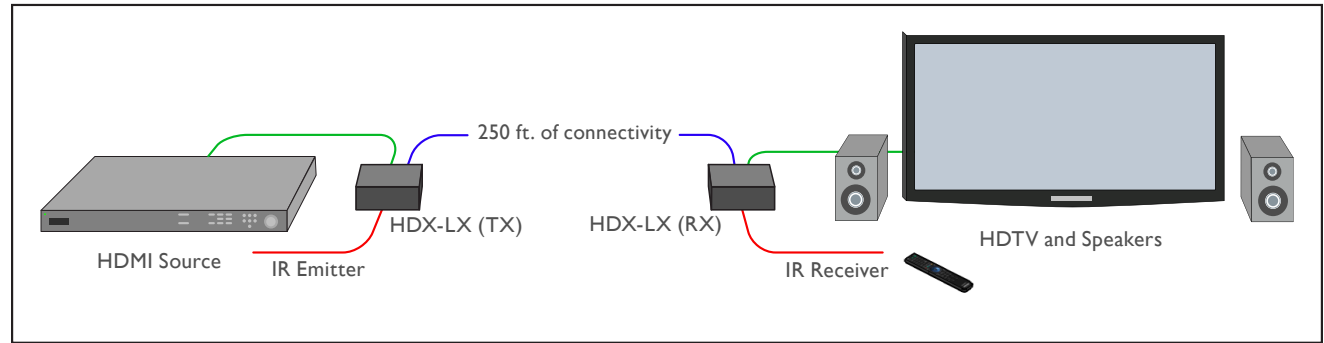
Features

- Extends HDMI HD video & digital audio signals
- Supports resolutions up to 4K (3840x2160 @ 30Hz)
- Extends Infrared Control Signals
- HDCP 1.3 and HDCP compliant
- Uses HDBaseT Technology
- Extension up to 250 feet from HDMI/IR source with Cat5e/6 cables
- Supports bi-directional IR communication
- Data signals up to 3.4Gbps
- Plug-and-play

Application

- Restaurants/Bars
- Home Entertainment Systems
- Wall Displays
- Digital Media Displays
- Airport Displays
- Dealer Room Displays
- Control Room Video Systems
- Audio/Visual Presentation Systems
- Shopping Centers
- Security
- Point-of-Sale
- Hotels/Resorts

Application Diagram



Hardware Installation

1. Power off the HDMI source device and displays
2. Connect an HDMI cable from the HDMI source to the input port on the HDX-LX.
3. Connect HDMI displays to the HDMI outputs on the HDX-LX.
4. Connect the power supply to the HDX-LX.
5. Power on the HDMI device and the displays.



HDX-LX Front



HDX-LX Back