

# Technical Specifications\*

VIDEO	
Format	DVI-D Single-link
Max. Pixel Clock	165 MHz
Input Interface (TX)	(2) DVI-D 29-pin female
Output Interface (RX)	(2) DVI-D 29-pin female
Resolution	Up to 1920 x 1200 @ 60 Hz Up to 3840 x 2160 @ 30 Hz
DDC	5 volts p-p (TTL)
Input Equalization	Automatic
Input/Output Cable Length	Up to 20 ft
USB	
Signal Type	OHCI/UHCI (USB1.1)
Input Interface (TX)	(1) USB Type-B (female)
Output Interface (RX)	(2) USB Type-B (female)
RS232	
Input Interface (TX)	DB9 (female)
Output Interface (RX)	DB9 (female)
Speed	@ 115 Kbps
AUDIO	
Signal Type	Stereo Audio
Bandwidth	15 MHz, 0dB
Impedance	100 Ohm
Connector	3.5 mini jack (female)
OTHER	
Power Supply	External 100-240 VAC/5VDC4A
Dimensions	5.125" W x 1" H x 3.625" D
Weight	1 lb
Operating Temp.	32 to 131°F (0 to 55 °C)
Storage Temp.	-4 to 185°F (-20 to 85 °C)
Humidity	Up to 95%
Max Resolution Video Extension Distance	245 ft w/ CAT5 STP

ORDER INFO	
Part No.	Description
LDX-2PS	Dual DVI-D , USB 1.1, Dual RS232 , Audio over CAT5/5e/6 Extender. Includes: [LDX-2P-TX, LDX-2P-RX, 2 X (PS5VD4A-WLLMNT)]
LDX-2P-TX	Dual DVI-D , USB 1.1, Dual RS232 , Audio over CAT5/5e/6 Transmitter. Includes: [LDX-2P-TX, PS5VD4A-WLLMNT]
LDX-2P-RX	Dual DVI-D , USB 1.1, Dual RS232 , Audio, over CAT5/5e/6 Receiver. Includes: [LDX-2P-RX, PS5VD4A-WLLMNT]

# What's in the Box?

PART NO.	QTY	DESCRIPTION
LDX-2P-TX	1	Dual DVI-D, USB 1.1, Dual RS232, Audio over CAT5/5e/6 Transmitter
LDX-2P-RX	1	Dual DVI-D, USB 1.1, Dual RS232, Audio over CAT5/5e/6 Receiver
Power Supply	2	PS5VD4A

© Copyright 2017 SmartAVI, All Rights Reserved

## NOTICE

The information contained in this document is subject to change without notice. Smart-AVI makes no warranty of any kind with regard to this material, including but not limited to, implied warranties of merchantability and fitness for any particular purpose.

Smart-AVI will not be liable for errors contained herein or for incidental or consequential damages in connection with the furnishing, performance or use of this material.

No part of this document may be photocopied, reproduced or translated into another language without prior written consent from Smart-AVI.

For more information, visit [www.smartavi.com](http://www.smartavi.com).



Designed and Manufactured in the USA



SmartAVI, Inc. / Twitter: @smartavi  
2455 W Cheyenne Ave, Suite 112  
North Las Vegas, NV 89032  
<http://www.SmartAVI.com>



# LDX-2P

Dual Head DVI-D, USB Keyboard, Mouse and Audio Extender Over CAT5e/6



Extend dual DVI-d, dual RS232, USB Keyboard, Mouse and Audio up to 245 ft over dual CAT5/5e/6 cable

Quick Start Guide

## Introduction

Using HDBaseT technology, the LDX-2P DVI extender is capable of sending dual DVI-D signals up to 245 feet over two conventional and inexpensive CAT5/5e/6 cable. HDBaseT technology is superior to older DVI extenders that require special CAT6 shielded cable to go a short distance. The LDX-2P also has USB keyboard and mouse, audio and RS232 extension, giving you the ability to control your displays or devices remotely.

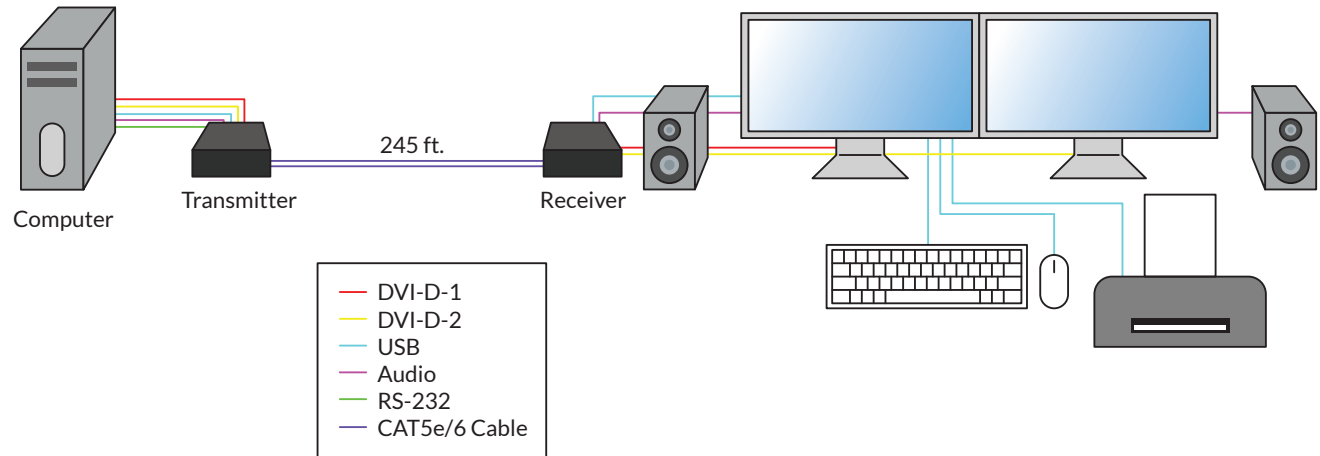
## Features

- Extends dual DVI-D up to 245 feet from the source
- HDCP Support
- Supports up to 1920x1200 digital video resolution @ 60Hz
- Supports 4K/2K (3840x2160) video resolution @ 30Hz
- Automatic DDC Learning
- USB Keyboard and Mouse extension
- Uncompressed Video HDBaseT
- RS-232 extension allows for remote control of displays
- External power adapter for transmitter and receiver unit
- Supports Stereo Sound
- Compatible with Windows, Mac and Linux Operating Systems

## Application

- Digital Signage
- Security
- PC Networking
- Conference Center Systems
- Point of Sale
- Camera Surveillance
- Video Phone
- Control Room Systems
- Recording Studio
- PC KVM Extension

## Product - Installation Diagram



## Connecting the LDX-2P

1. Power off all devices.
2. Connect two DVI-D sources (computer) to the two DVI-D ports on the back of the transmitter.
3. Connect a USB source (computer) to the USB port on the transmitter.
4. Optionally connect RS232 for control functions.
5. Connect the transmitter to the receiver with two CAT5 UTP (Unshielded Twisted Pair) cables.
6. Connect a DVI-D compatible display to each of the two DVI-D ports on the back of the receiver.
7. Connect USB keyboard and mouse to the USB ports on the receiver.
8. Optionally connect RS232 for control functions.
9. Connect the power to the receiver and the transmitter.
10. Power on the display and then the computer.



LDX-2P-TX Front



LDX-2P-RX Front



LDX-2P-TX Back



LDX-2P-RX Back