

What's in the Box?

PART NO.	QTY	DESCRIPTION
LDX-PLUS-TX	1	DVI-D , USB 1.1 , RS232, and Audio over CAT5/5e/6 Transmitter
LDX-PLUS-RX	1	DVI-D , USB 1.1 , RS232, and Audio over CAT5/5e/6 Receiver
Power Supply	2	PS5VD4A

Technical Specifications*

VIDEO	
Format	DVI-D Single-link
Max. Pixel Clock	165 MHz
Input Interface (TX)	(1) DVI-D 29-pin female
Output Interface (RX)	(1) DVI-D 29-pin female
Resolution	Up to 1920 x 1200 @ 60 Hz Up to 3840 x 2160 @ 30 Hz
DDC	5 volts p-p (TTL)
Input Equalization	Automatic
Input/Output Cable Length	Up to 20 ft
USB	
Signal Type	OHCI/UHCI (USB1.1)
Input Interface (TX)	(1) USB Type-B (female)
Output Interface (RX)	(2) USB Type-B (female)
RS232	
Input Interface (TX)	(1) DB9 (female)
Output Interface (RX)	(1) DB9 (female)
Speed	@ 115 Kbps
AUDIO	
Input Interface (TX)	(1) 3.5 mm jack socket
Output Interface (RX)	(1) 3.5 mm jack socket
Frequency Response	30 KHz to 80 KHz
OTHER	
Power Supply	External 100-240 VAC/5VDC4A
Dimensions	8.25" W x 1" H x 3.625" D
Weight	1 lb
Operating Temp.	32 to 131°F (0 to 55 °C)
Storage Temp.	-4 to 185°F (-20 to 85 °C)
Humidity	Up to 95%

ORDER INFO	
Part No.	Description
LDX-PLUS-S	DVI-D + USB + RS232 over CAT5 UTP Extender, up to 70 meters. Includes: [LDX-PLUS-TX, LDX-PLUS-RX, 2 x PS5VD4A-WLLMNT]
LDX-PLUS-TX	DVI-D , USB 1.1 , RS232, and Audio over CAT5/5e/6 Transmitter. Includes: [LDX-PLUS-TX, PS5VD4A-WLLMNT]
LDX-PLUS-RX	DVI-D , USB 1.1 , RS232, and Audio over CAT5/5e/6 Receiver. Includes: [LDX-PLUS-RX, PS5VD4A-WLLMNT]

© Copyright 2017 SmartAVI, All Rights Reserved

NOTICE

The information contained in this document is subject to change without notice. Smart-AVI makes no warranty of any kind with regard to this material, including but not limited to, implied warranties of merchantability and fitness for any particular purpose.

Smart-AVI will not be liable for errors contained herein or for incidental or consequential damages in connection with the furnishing, performance or use of this material.

No part of this document may be photocopied, reproduced or translated into another language without prior written consent from Smart-AVI.

For more information, visit www.smartavi.com.

Smart-AVI
SMART AUDIO VIDEO INNOVATION

LDX-PLUS

DVI, KVM and Audio Extender
Over CAT5e/6 HDBaseT (245 ft)



Long-range HD DVI-D Video,
USB keyboard-Mouse, RS232
and Audio Extender



Designed and Manufactured in the USA

Smart-AVI
SMART AUDIO VIDEO INNOVATION

SmartAVI, Inc. / Twitter: @smartavi
2455 W Cheyenne Ave, Suite 112
North Las Vegas, NV 89032
<http://www.SmartAVI.com>

Quick Start Guide

Introduction

LDX-Plus is a DVI video, stereo audio, USB KVM and RS232 control extender capable of sending ultra-HD signals up to 245 ft away via CAT5e/6 cables.

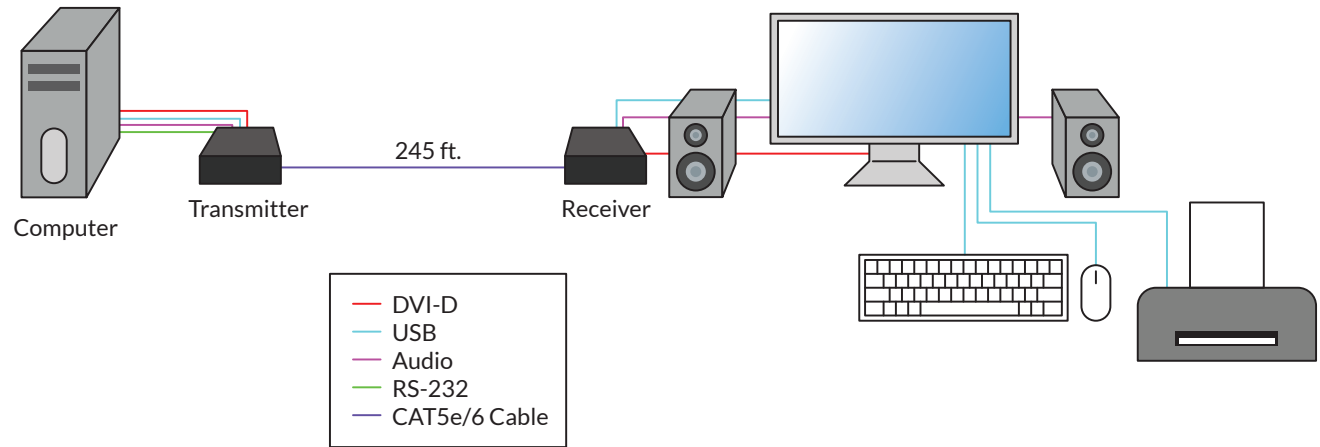
Features

- Extends DVI-D up to 245 ft from source.
- Data Recover for digital video.
- Supports up to 1080p and 4K/2K resolutions.
- Automatic DDC learning.
- Supports USB Keyboard-Mouse extension.
- Supports RS232 command extension.
- Can be powered by either TX or RX units with HDBaseT.
- Plug-and-play ready for easy use.

Application

- Digital Signage
- Security
- PC Networking
- Conference Center Systems
- Point of Sale
- Camera Surveillance
- Video Phone
- Control Room Systems
- Recording Studio
- PC KVM Extension

Product - Installation Diagram



Connecting the LDX-PLUS

1. Turn off connected devices.
2. Connect cables between signal source device and TX unit's input ports.
3. Connect cables between the RX unit's output ports and end-point device.
4. Connect TX and RX via CAT5e/6 cable.
5. Connect power supply to either TX or RX units.
6. Turn on TX and RX units.
7. Return power to connected devices.



LDX-PLUS-TX Front



LDX-PLUS-RX Front



LDX-PLUS-TX Back



LDX-PLUS-RX Back