

# SWP-T10

All-in-One 1080p Smart Wall Plate Extender



HDMI, VGA, stereo audio, IR, and optional RS-232 Support with integrated scaler and PoE HDBaseT

## FEATURES

- Supports POE: Can be powered by SWP-T10-TX or POE-ready HDX RX Receivers
- HDMI 1.4 and DVI compliant (with adaptor)
- Automatic, integrated resolution scaler up to 1080p (1920 x 1080 @ 60Hz)
- Extends CAT5e/6 signals up to 70m
- CEC pass-through
- LED status indicators
- Automatic & manual input recognition and selection
- Extends IR remote control
- \*\*Optional RS-232 support\*\*

## APPLICATIONS

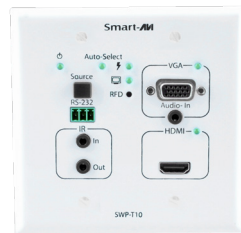
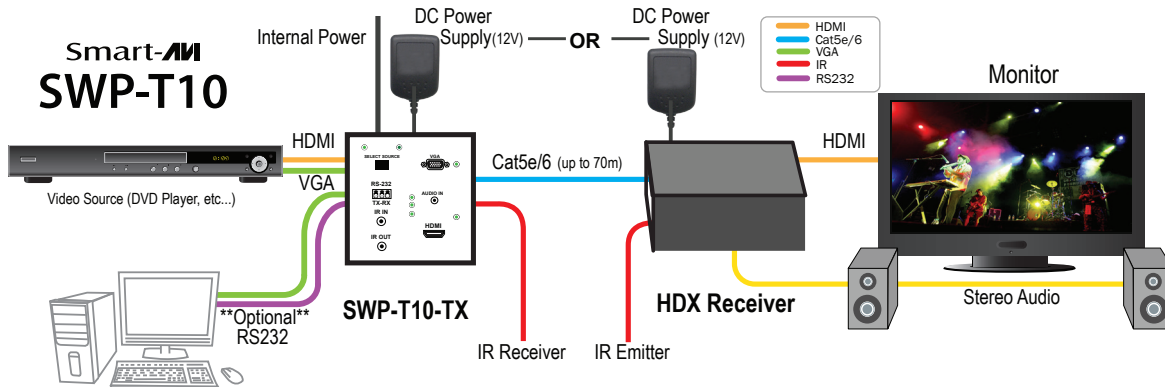
- Presentations
- Conferences
- Surveillance
- Remote monitoring
- Healthcare
- Education
- Video correspondence
- Hotels
- Restaurants and digital menus
- Home entertainment

## WHY SWITCH TO THE SMART WALL PLATE

The Smart Wall Plate T10, or SWP-T10, is SmartAVI's most comprehensive all-in-one wall plate extender in our catalogue to date. The SWP-T10 features HDMI, VGA, stereo audio, and IR extension with CAT5e/6 HDBaseT enhancements at lengths up to 70 meters (230 ft).

The T10's automatic scaler bumps picture resolution up to 1080p (1920 x 1080 @ 60Hz), and seamless automatic input recognition optimizes signals. Conveniently powered by either the transmitting or receiving unit, the SWP-T10 blends SmartAVI's signature ease-of-use with quality, highly-adaptable configurations right for any set-up. Keep your environment connected and smart with the Smart Wall Plate T10!

## APPLICATION DIAGRAM



SWP-T10 Front



SWP-T10 Back

## SPECIFICATIONS

INPUT/OUTPUT	
Compliance	HDMI 1.4 and HDCP 1.2
HDTV Resolutions	Up to 1080p (1920 x 1080 @ 60Hz)
Max Data Rate	6.75 Gbps
Input Interface	(1) HDMI Type-A; (1) VGA; (1) Stereo Audio; (1) IR IN
Output Interface	(1) RJ45 (HDBaseT); (1) IR OUT
CONTROL	
IR	Infrared Remote Control (In/Out)
Front Panel	SELECT SOURCE button (select/switch)
*RS-232	*Optional RS-232 port remote control with PC

IR	
Signal Type	38 KHz
Interface	3.5 mm Jack Socket (Female)
OTHER	
Power	PS12V-2A
Dimensions	4.6"W x 4.6"H x 1.45"D
Weight	0.75 lbs.
Approvals	UL, CE, ROHS Compliant
Operating Temp.	32-104°F (0-40 °C)
Storage Temp.	-4-185 °F (-20-85 °C)
Humidity	Up to 90%

## ORDERING INFORMATION

Part No.	Description
SWP-T10	HDMI, VGA, Stereo Audio, IR POE Extender with Integrated Scaler and Converter. Includes [SWP-T10-TX, PS12VD2A-WLLMNT]



Designed and Manufactured in the USA

[www.smartavi.com](http://www.smartavi.com)

Tel: 800.AVI.2131 • 818.503.6200  
2455 W Cheyenne Ave, Suite 112  
North Las Vegas, NV 89032

**Smart-AVI**  
SMART AUDIO VIDEO INNOVATION