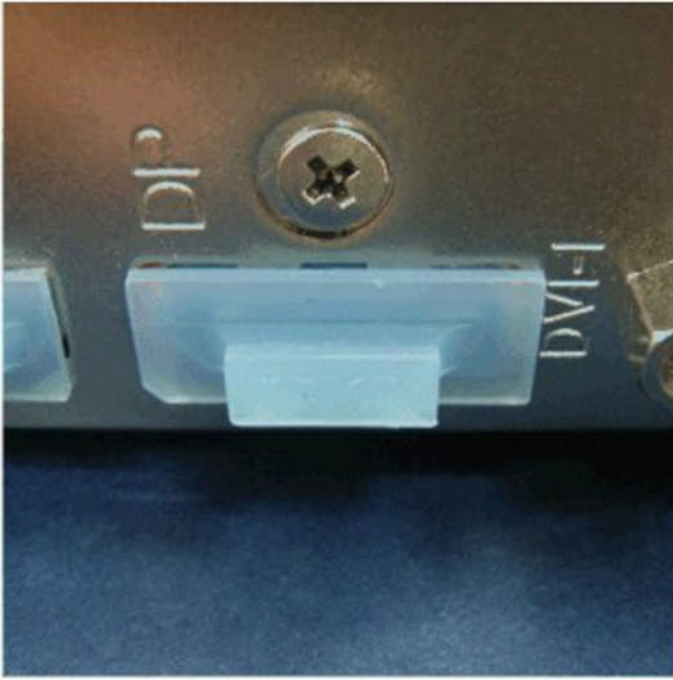


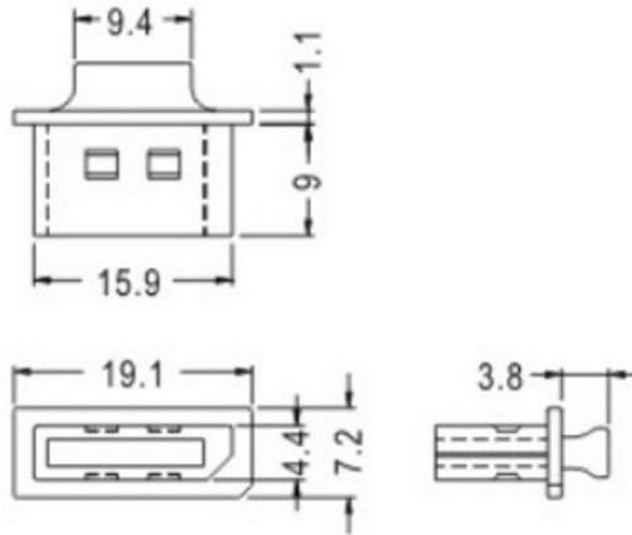
Image



**PART NO: CVR-DPF**

- ◆ MATERIAL:PE (UL)
- ◆ COLOR:BLACK
- ◆ UNIT:mm

Image



Tolerance:  
< 5 mm:  $\pm 0.2$  mm  
5 - 20 mm:  $\pm 0.3$  mm