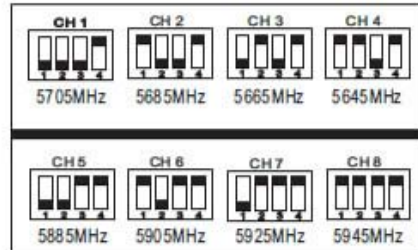
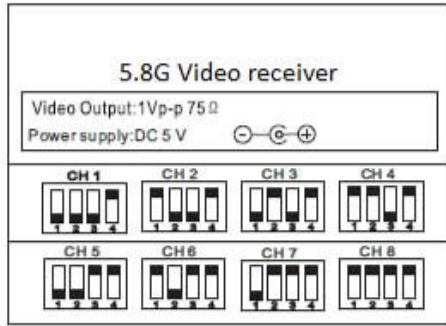


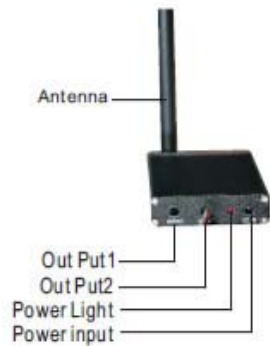


- 05P-FPV225-Monitor
- 05P-FPV225-Video-RX
- 05P-FPV225-Video-TX
- 05P-FPV225-Camera
- 05P-FPV225-Monitor-Frame
- 05P-FPV225-PowerWire-10V
- 05P-FPV225-TX-Signal-Cable
- 05P-FPV225-Gopro2-Cable
- 05P-FPV225-Gopro3-Cable
- 05P-FPV225-AI-Case
- 05P-FPV225-Video-TX-Power-Cable-JST
- 05P-FPV225-Video-TX-Power-Cable-3JR
- 05P-Mushroom-Antenna



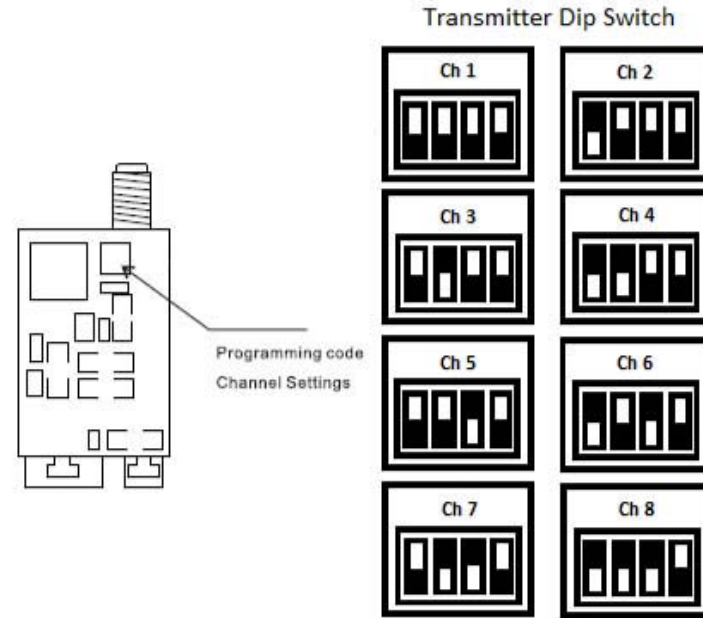


Size: 35X25mm



Receive frequency: 5725-5865MHz; Eight Channels
 Receiving sensitivity: -90dBm
 Frequency control: Built-in frequency PLL
 Dual video output: Direct output analog video signal
 The antenna interface: SMA(The needle)
 Power supply voltage: 6.5-15V
 Power supply current: 150mA
 Outsize: 61*52*13mm ; Aluminum alloy shell

Camera
 1/3" SONY Super HAD CCD
 Level of resolution: 600 TVL
 pixel : PAL: 500(H)X582(V)
 NTSC: 510(H)X492(V)
 Formats : PAL/NTSC
 Work voltage : DC8.5V-DC18V
 Work current : DC12V 50mA
 Work temperature : -10---+60



Transmission frequency: 5725-5865MHz; Eight channels
 Transmission power: 23dBm/200mW
 Transmission distance: >2000m
 Frequency control: Built-in frequency PLL
 Video Input: Direct input video signal
 Power supply voltage: 6.5-15V
 Power supply current: 200mA
 Outsize: 55*26*17mm

Monitor
 Rate : 800*480
 The screen size : 154mm (width) *87mm (height)
 Aspect ratio : 4:3 / 16:9 (can choose switch by yourself)
 Contrast : 350:1
 Power : 12V
 General consumption power : Around 6W
 Size : 174mm (length) *114mm (width) *23mm (height)
 Language : Chinese/English

Made In China